

*MULTI-POSITION, VARIABLE-SPEED,
ECM-BASED AIR HANDLER
WITH INTERNAL TXV
COMFORTBRIDGE™ COMPATIBLE
1½ TO 5 TONS*



Contents

Air Handler Nomenclature..... 2
 Heater Kit Nomenclature 2
 Product Specifications..... 3
 Dimensions 4
 Airflow Data 5
 Heat Kit Data..... 6
 Wiring Diagram..... 9
 Accessories 10

Product Features

- Internal factory-installed thermal expansion valves for cooling and heat pump applications
- Variable-speed ECM blower motor
- Integrated communicating ComfortBridge™ Technology
- Commissioning and diagnostics via on board Bluetooth with the CoolCloud™ phone and tablet application
- Auto configuration of the airflow and tonnage in communicating mode
- Provides constant CFM over a wide range of static pressure conditions independent of duct system
- CFM indicator
- Fault recall of six most recent faults
- Provides adjustable low CFM for efficient fan-only operation
- Improved humidity and comfort control
- Built-in compatibility with multi-stage heat pump and cooling applications
- All-aluminum evaporator coil
- AHRI certified; ETL listed
- Rigid SmartFrame™ cabinet
- Cabinet air leakage less than 2.0% at 1.0 inch H₂O when tested in accordance with ASHRAE standard 193
- Cabinet air leakage less than 1.4% at 0.5 inch H₂O when tested in accordance with ASHRAE standard 193
- Horizontal or vertical configuration capabilities
- 21" depth for easier attic access
- DecaBDE-free thermoplastic drain pan with secondary drain connections
- Screw-less sides and back helps to reduce condensation when installed in humid locations
- Foil-faced insulation covers the internal casing to reduce cabinet condensation
- Galvanized, leather grain-embossed finish
- Glue-less cabinet insulation retention
- Tool-less filter access
- Field Installed 3 kW – 25 kW electric heater kits available



* Complete warranty details available from your local dealer or at www.goodmanmfg.com. To receive the 10-Year Parts Limited Warranty, online registration must be completed within 60 days of installation. Online registration is not required in California or Québec.

		A	M	V	T	36	B	P	1	4	05	A		
		1	2	3	4	5,6	7	8	9	10	11,12	13,14		
Product													Engineering *	
A Corporate Air Handler													Major/Minor Revisions	
D Daikin Air Handler													A - Initial Release	
													B - 1st Revision	
Unit Application													Electric Heat KW	
C Ceiling Mount													5 = 5kw	
M Multi-Positional													8 = 8kw	
W Wall Mount													10 = 10kw	
F Fit Compatible Multi-Positional														
H Horizontal Discharge													Refrigerant	
Compatible Multi-Positional													3 - R32	
													4 - R410A	
													6 - R410A or R22	
Motor													Electrical	
S MS-ECM													1 208/240 V, 1 Phase, 60 Hz	
V VS-ECM Communicating														
Expansion Device													Cabinet	
E Electronic Expansion Valve													N - Uncased	
F Flowrator													P - Painted	
T Thermal Expansion Valve													U - Unpainted	
Nominal Capacity Range													Cabinet Width	
12 = 1 Ton		36 = 3.0 Tons		AC* Series		AM* Series		AW* Series						
18 = 1.5 Tons		42 = 3.5 Tons		M = 43.25"		B = 17.5"		S = 20.2"						
24 = 2.0 Tons		48 = 4.0 Tons		L = 49.25"		C = 21.0"		L = 24.0"						
30 = 2.5 Tons		60 = 5.0 Tons				D = 24.5"								

*DENOTES AHRI WILD CARDS

		HKS	X	03	X	A	AA		
		1	2	3	4	5	6,7		
Unit Type								Revisions	
HKS Heat Kit for Air Handlers								Engineering Revisions	
Circuit Breaker								Phase	
X No circuit breaker								A Single Phase 208 V	
C Circuit Breaker								E Three Phase 240 V	
								B Single Phase 240 V	
								F Three Phase 208/240 V	
								C Single Phase 208/240 V	
								G Three Phase 460 V	
								D Three Phase 208 V	
								H Special case 208 V *	
Heating Capacity @ 240 Volts								Cabinet Size (MAX)	
03	3.0 kW	15	14.4 kW					C C Cabinet	
05	4.5 kW	19	19.2 kW wth 150F limit					D D Cabinet	
06	6.0 kW	20	19.2 kW with 170F limit					X All Cabinet Sizes	
08	8.0 kW	25	25.0 kW						
10	9.6 kW								

	AMVT 24BP14*	AMVT 30BP14*	AMVT 36BP14*	AMVT 36CP14*	AMVT 42CP14*	AMVT 48CP14*	AMVT 48DP14*	AMVT 60DP14*
NOMINAL RATINGS								
Cooling (Btu/h)	24,000	30,000	36,000	36,000	42,000	48,000	48,000	60,000
BLOWER								
Diameter	10"	10"	10"	10"	10"	10"	10"	11"
Width	6"	6"	6"	8"	8"	10"	10"	10"
COIL CONNECTIONS								
Liquid	3/8"	3/8"	3/8"	3/8"	3/8"	3/8"	3/8"	3/8"
Suction	3/4"	3/4"	3/4"	3/4"	3/4"	7/8"	7/8"	7/8"
Coil Drain Connect (FPT)	3/4"	3/4"	3/4"	3/4"	3/4"	3/4"	3/4"	3/4"
ELECTRICAL DATA								
Voltage	208/240	208/240	208/240	208/240	208/240	208/240	208/240	208/240
Minimum Circuit Ampacity	4.9/4.9	4.9/4.9	6.5/6.5	6.5/6.5	6.5/6.5	6.5/6.5	8.6/8.6	8.6/8.6
Max. Overcurrent Device (Amps)	15/15	15/15	15/15	15/15	15/15	15/15	15/15	15/15
Minimum VAC	197	197	197	197	197	197	197	197
Maximum VAC	253	253	253	253	253	253	253	253
Blower Motor								
Full Load Amps (FLA)	3.9	3.9	5.2	5.2	5.2	5.2	6.9	6.9
Horsepower (HP)	½	½	¾	¾	¾	¾	1	1
SHIP WEIGHT (LBS.)	117	134	134	158	158	158	160	172

*Airflow rate @.3 static

Note: Assumes dry coil; SCFM correction for wet coil = 4% (208V / 240V)

MODEL NUMBER	LOW/HIGH	OUTDOOR TONNAGE						
		1.5	2	2.5	3	3.5	4	5
AMVT24BP1400	Low	402	536	-	-	-	-	-
	High	600	800	-	-	-	-	-
AMVT30BP1400	Low	402	536	670	-	-	-	-
	High	600	800	1,000	-	-	-	-
AMVT36BP1400	Low	-	-	670	804	-	-	-
	High	-	-	1,000	1,200	-	-	-
AMVT36CP1400	Low	-	536	670	804	-	-	-
	High	-	800	1,000	1,200	-	-	-
AMVT42CP1400	Low	-	-	-	804	938	-	-
	High	-	-	-	1,200	1,400	-	-
AMVT48CP1400	Low	-	-	-	-	938	1,072	-
	High	-	-	-	-	1,400	1,600	-
AMVT48DP1400	Low	-	-	-	-	-	1,072	-
	High	-	-	-	-	-	1,600	-
AMVT60DP1400	Low	-	-	-	-	-	1,072	1,340
	High	-	-	-	-	-	1,600	2,000

NOTES

1. Airflow data indicated is at 230V without air filter in place.
2. The chart is for information only. For satisfactory operation, external static pressure must not exceed value shown on rating plate.
3. Use the CFM adjustment factors of 0.98 for horizontal left and 0.96 for horizontal right & downflow orientations
4. When applying a humidistat (normally closed), refer to the installation and operating instructions. The humidistat can adjust the cooling airflow to 85%.

Horizontal Left Factor	0.98
Horizontal Right Factor	0.95
Downflow Factor	0.96

See notes on page 7.

HEAT KIT DATA

HEATER KIT MODEL	CIRCUIT 1			CIRCUIT 2			SINGLE-POINT KIT	
	HEATER AMPS	MCA ¹	MOP ²	HEATER AMPS	MCA ¹	MOP ²	MCA ¹	MOP ²
AMVT24BP1400AA	0/0	4.9/4.9	15/15					
HKS*03XC*	10.8/12.5	18.4/21	20/25					
HKS*05XC*	17.3/20	27/29.9	30/30					
HKS*06XC*	21.7/25	32/36.1	35/40					
HKS*08XC*	28.9/33.3	41/46.5	45/50					
HKS*10XC*	34.7/40	48/54.9	50/60					
HKSC15XA 208	34.7	48	50	17.3	21.7	25	69.9	70
HKSC15XB 240	40	54.9	60	20	25	25	79.9	80
AMVT30BP1400AA	0/0	4.9/4.9	15/15					
HKS*03XC*	10.8/12.5	18.4/21	20/25					
HKS*05XC*	17.3/20	27/29.9	30/30					
HKS*06XC*	21.7/25	32/36.1	35/40					
HKS*08XC*	28.9/33.3	41/46.5	45/50					
HKS*10XC*	34.7/40	48/54.9	50/60					
HKSC15XA 208	34.7	48	50	17.3	21.7	25	69.9	70
HKSC15XB 240	40	54.9	60	20	25	25	79.9	80
AMVT36BP1400AA	0/0	6.5/6.5	15/15					
HKS*03XC*	10.8/12.5	20/22.1	20/25					
HKS*05XC*	17.3/20	28.2/32	30/35					
HKS*06XC*	21.7/25	33.6/38	35/40					
HKS*08XC*	28.9/33.3	42.6/48	45/50					
HKS*10XC*	34.7/40	49.8/57	50/60					
HKSC15XA 208	34.7	49.8	50	17.3	21.7	25	71.5	80
HKSC15XB 240	40	56.5	60	20	25	25	81.5	90
AMVT36CP1400AA	0/0	6.5/6.5	15/15					
HKS*03XC*	10.8/12.5	20/22.1	20/25					
HKS*05XC*	17.3/20	28.2/32	30/35					
HKS*06XC*	21.7/25	33.6/38	35/40					
HKS*08XC*	28.9/33.3	42.6/48	45/50					
HKS*10XC*	34.7/40	49.8/57	50/60					
HKS*15XF*	0/0	6.5/6.5	15/15	30/34.6	37.5/43	40/45		
HKSC15XA 208	34.7	49.8	50	17.3	21.7	25	71.5	80
HKSC15XB 240	40	56.5	60	20	25	25	81.5	90
HKSC19CH 208	34.7	49.8	50	34.7	43.3	45	93.2	100
HKSC19CB 240	40	56.5	60	40	50	50	107	110
AMVT42CP1400AA	0/0	6.5/6.5	15/15					
HKS*05XC*	17.3/20	28.2/32	30/35					
HKS*06XC*	21.7/25	33.6/38	35/40					
HKS*08XC*	28.9/33.3	42.6/48	45/50					
HKS*10XC*	34.7/40	49.8/57	50/60					
HKS*15XF*	0/0	6.5/6.5	15/15	30/34.6	37.5/43	40/45		
HKSC15XA 208	34.7	49.8	50	17.3	21.7	25	71.5	80
HKSC15XB 240	40	56.5	60	20	25	25	81.5	90
HKSC19CA 208	34.7	49.8	50	34.7	43.3	45	93.2	100
HKSC19CB 240	40	56.5	60	40	50	50	107	110

See notes on page 8.

HEATER KIT MODEL	CIRCUIT 1			CIRCUIT 2			SINGLE-POINT KIT	
	HEATER AMPS	MCA ¹	MOP ²	HEATER AMPS	MCA ¹	MOP ²	MCA ¹	MOP ²
AMVT48CP1400AA	0/0	6.5/6.5	15/15					
HKS*05XC*	17.3/20	28.2/32	30/35					
HKS*06XC*	21.7/25	33.6/38	35/40					
HKS*08XC*	28.9/33.3	42.6/48	45/50					
HKS*10XC*	34.7/40	49.8/57	50/60					
HKS*15XF*	0/0	6.5/6.5	15/15	30/34.6	37.5/43	40/45		
HKSC15XA 208	34.7	49.8	50	17.3	21.7	25	71.5	80
HKSC15XB 240	40	56.5	60	20	25	25	81.5	90
HKSC19CH 208	34.7	49.8	50	34.7	43.3	45	93.2	100
HKSC19CB 240	40	56.5	60	40	50	50	107	110
AMVT48DP1400AA	0/0	8.6/8.6	15/15					
HKS*05XC*	17.3/20	30.3/34	35/35					
HKS*06XC*	21.7/25	36/39.9	40/40					
HKS*08XC*	28.9/33.3	45/50.3	45/60					
HKS*10XC*	34.7/40	52/58.6	60/60					
HKS*15XF*	0/0	8.6/8.6	15/15	30/34.6	37.5/43	40/45		
HKSC15XA 208	34.7	52	60	17.3	21.7	25	73.6	80
HKSC15XB 240	40	58.6	60	20	25	25	83.6	90
HKS*20XF*	0/0	8.6/8.6	15/15	37.5/43.3	47/54	50/60		
HKSC20DA 208	34.7	52	60	34.7	43.4	45	95.3	100
HKSC20DB 240	40	58.6	60	40	50	50	109	110
AMVT60DP1400AA	0/0	8.6/8.6	15/15					
HKS*05XC*	17.3/20	30.3/34	35/35					
HKS*06XC*	21.7/25	36/39.9	40/40					
HKS*08XC*	28.9/33.3	45/50.3	45/60					
HKS*10XC*	34.7/40	52/58.6	60/60					
HKS*15XF*	0/0	8.6/8.6	15/15	30/34.6	37.5/43	40/45		
HKSC15XA 208	34.7	52	60	17.3	21.7	25	73.6	80
HKSC15XB 240	40	58.6	60	20	25	25	83.6	90
HKS*20XF*	0/0	8.6/8.6	15/15	37.5/43.3	47/54	50/60		
HKSC20DH 208	34.7	52	60	34.7	43.4	45	95.3	100
HKSC20DB 240	40	58.6	60	40	50	50	109	110
HKTSD25DA 208	52	73.6	80	34.7	43.3	45	117	125
HKTSD25DB 240	60	83.6	90	40	50	50	134	150

¹Minimum Circuit Ampacity (Heater Amps + Motor Amps) X 1.25

²Maximum Overcurrent Protection = 2.25 X Motor Amps + Heater Amps

^Circuit 1: Single-phase for Air Handlers Circuit 2: Three-phase for HKR3 Heater Kits

---indicates Not Required

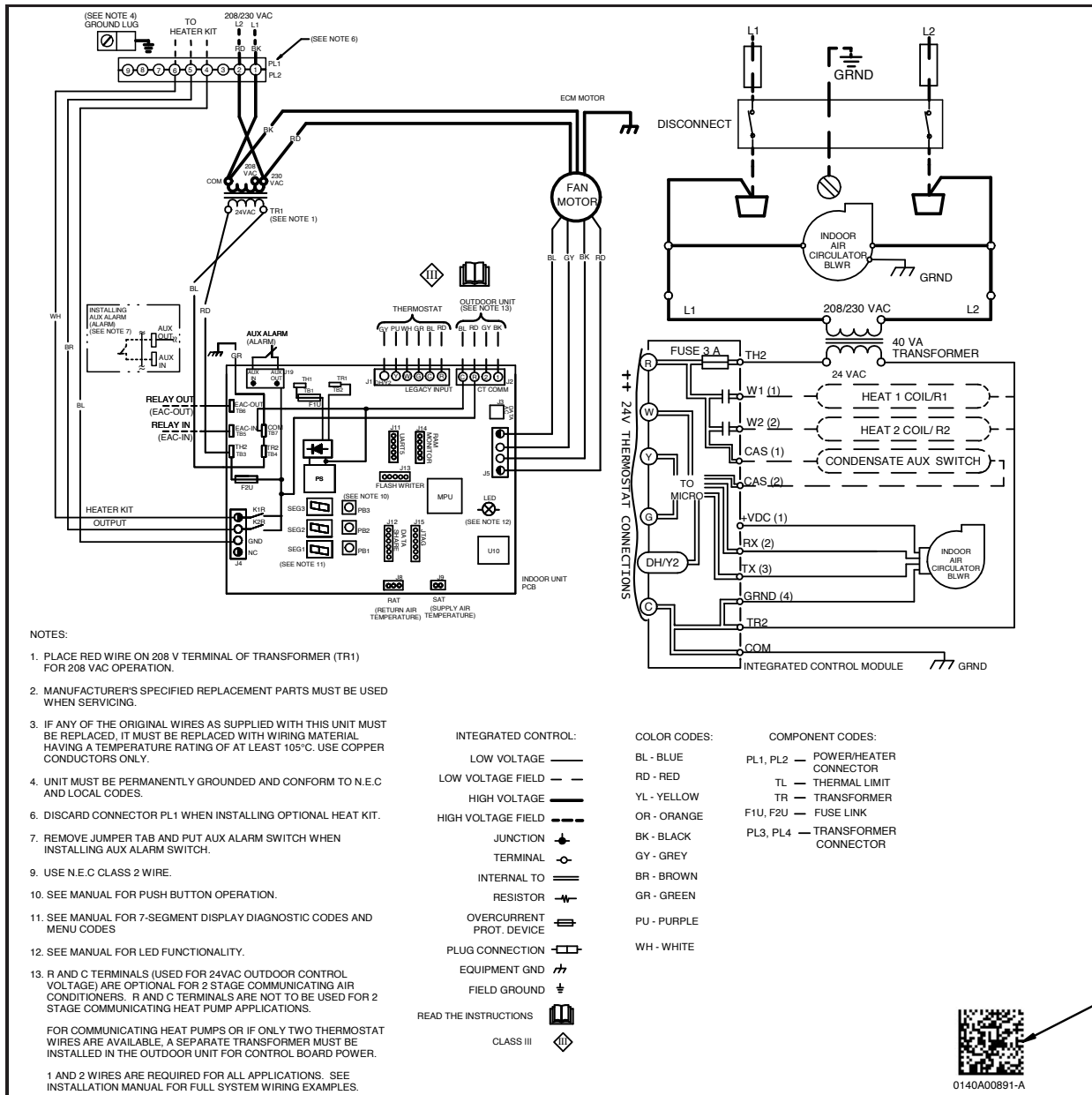
Note: The 208 or 240 in the heat kit part number field is for clarification of the nominal voltage for this model.

HEATING KW CORRECTION FACTOR

SUPPLY VOLTAGE	240	230	220	210	208
CORRECTION FACTOR	1.00	0.92	0.84	0.77	0.75

Multiply the 240-volt heating capacity by correction factors.

AIR HANDLER WIRING DIAGRAM AMVT**P1400** (1.5T-5T)



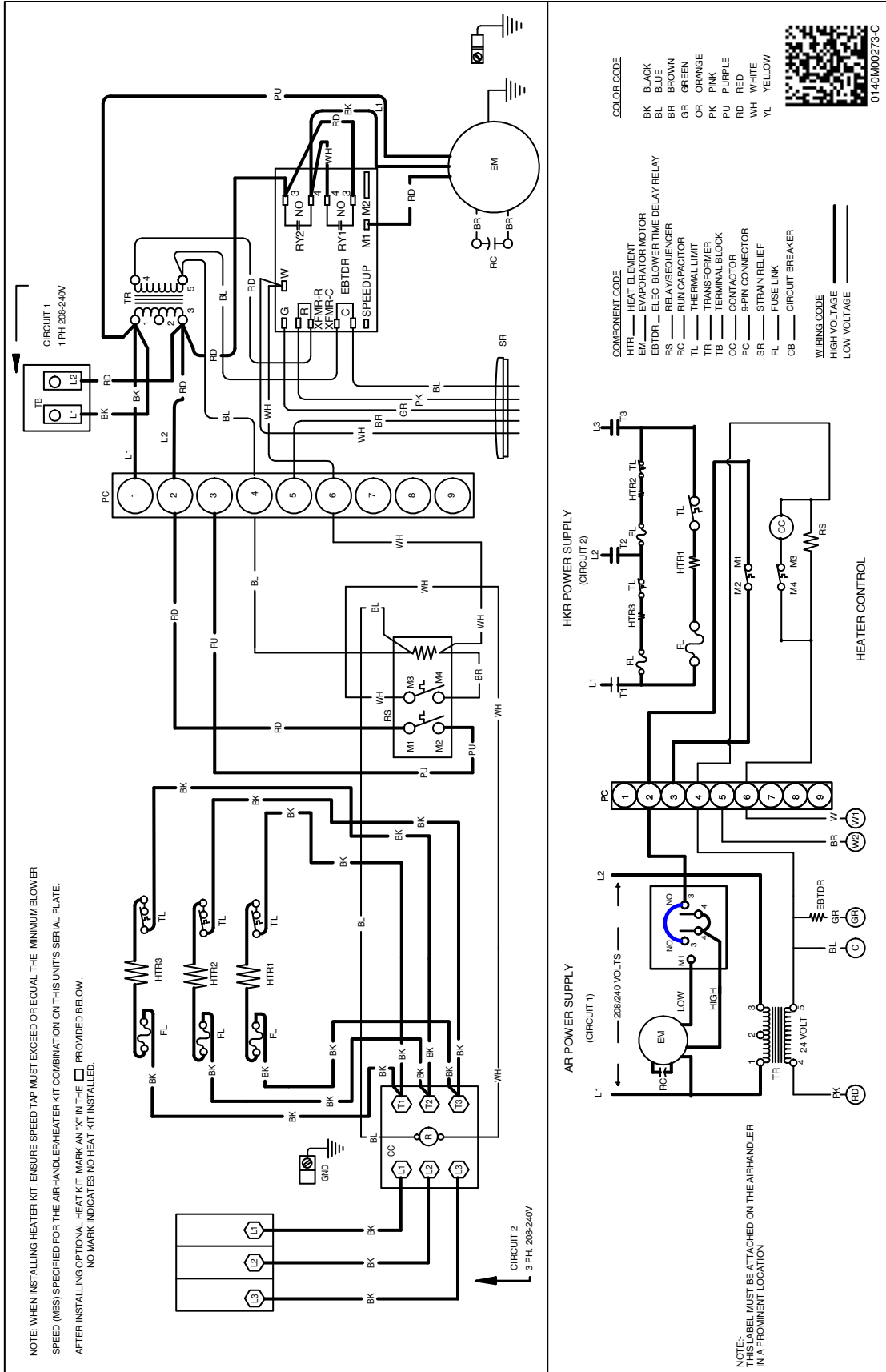
High Voltage: Disconnect all power before servicing or installing this unit. Multiple power sources may be present. Failure to do so may cause property damage, personal injury, or death.

WARNING

Wiring is subject to change. Always refer to the wiring diagram on the unit for the most up-to-date wiring.



0140A00891-A



Wiring is subject to change. Always refer to the wiring diagram on the unit for the most up-to-date wiring.



WARNING

High Voltage: Disconnect all power before servicing or installing this unit. Multiple power sources may be present. Failure to do so may cause property damage, personal injury, or death.

DOWNFLOW KITS

DFKE-02	DFKE-03
AMVT24BP1400**	AMVT48CP1400**
AMVT30BP1400**	AMVT48DP1400**
AMVT36BP1400**	AMVT60DP1400**
AMVT36CP1400**	
AMVT42CP1400**	

HIGH HUMIDITY KIT

HHK0004	HHK0005	HHK0006	HHK0007
AMVT24BP1400**	AMVT36CP1400**	AMVT48DP1400**	AMVT60DP1400**
AMVT30BP1400**	AMVT42CP1400**		
AMVT36BP1400**	AMVT48CP1400**		

CONDENSATE MANAGEMENT KIT

CMK0018	CMK0019	CMK0020
AMVT24BP1400**	AMVT30BP1400**	AMVT48CP1400**
AMVT36CP1400**	AMVT36BP1400**	AMVT48DP1400**
	AMVT42CP1400**	AMVT60DP1400**

FILTERS

CHASSIS	PART #	SIZE
B	ALFH16201E	16.0" x 20.0"
C	ALFH1912201E	19.5" x 20.0"
D	ALFH20231E	23.0" x 20.0"

SINGLE POINT WIRING KIT (SPW-01)

HEATER KIT MODEL	SPWK-B	SPWK-C	SPWK-D
HKSC15XB-240V	AMVT24BP1400** AMVT30BP1400**	AMVT36CP1400** AMVT42CP1400** AMVT48CP1400**	AMVT48DP1400** AMVT60DP1400**
HKSC15XA-208V	AMVT36BP1400**		
HKSC19CA-208V			
HKSC19CB-240V			
HKSC20DA-208V			AMVT48DP1400** AMVT60DP1400**
HKSC20DB-240V			
HKSC25DA-240V			AMVT60DP1400**
HKSC25DA-208V			
HKSC25DA			

