

Service and Troubleshooting

*PCH3 13.4 SEER(2) COOLING, *PHH3 / *PHH5 15.2 SEER(2) HEAT PUMP HORIZONTAL PACKAGE UNIT WITH R-410A

Pride and workmanship go into every product to provide our customers with quality products. It is possible, however, that during its lifetime a product may require service. Products should be serviced only by a qualified service technician who is familiar with the safety procedures required in the repair and who is equipped with the proper tools, parts, testing instruments and the appropriate service manual. **REVIEW ALL SERVICE INFORMATION IN THE APPROPRIATE SERVICE MANUAL BEFORE BEGINNING REPAIRS.**

TABLE OF CONTENTS

| | |
|--|----|
| IMPORTANT INFORMATION | 2 |
| PRODUCT IDENTIFICATION | 3 |
| SYSTEM OPERATION | 8 |
| SCHEDULED MAINTENANCE | 12 |
| SERVICING | 13 |
| CHECKING VOLTAGE | 13 |
| CHECKING WIRING | 13 |
| CHECKING THERMOSTAT AND WIRING | 13 |
| CHECKING TRANSFORMER AND CONTROL CIRCUIT | 14 |
| CHECKING CONTACTOR AND/OR RELAYS | 15 |
| CHECKING CONTACTOR CONTACTS | 15 |
| CHECKING LOW PRESSURE CONTROL | 15 |
| CHECKING HIGH PRESSURE CONTROL | 15 |
| CHECKING CAPACITOR | 16 |
| RESISTANCE CHECK | 16 |
| CAPACITANCE CHECK | 16 |
| TESTING START RELAY KITS (OPTIONAL ITEM) | 16 |
| CHECKING FAN AND BLOWER MOTOR WINDINGS (PSC MOTORS) | 18 |
| CHECKING EEM MOTORS | 18 |
| CHECKING ECM MOTORS | 19 |
| CHECKING ECM MOTOR WINDINGS | 19 |
| CHECKING COMPRESSOR | 20 |
| RESISTANCE TEST | 20 |
| GROUND TEST | 21 |
| UNLOADER TEST PROCEDURE | 21 |
| OPERATION TEST | 21 |
| LOCKED ROTOR TEST | 22 |
| TESTING CRANKCASE HEATER (OPTIONAL ITEM) | 22 |
| CHECKING CRANKCASE HEATER THERMOSTAT | 23 |
| CHECKING REVERSING VALVE AND SOLENOID | 23 |
| TESTING DEFROST CONTROL | 23 |
| TESTING DEFROST THERMOSTAT | 24 |
| CHECKING HEATER ELEMENTS | 24 |
| REFRIGERATION REPAIR PRACTICE | 24 |



WARNING

ONLY PERSONNEL THAT HAVE BEEN TRAINED TO INSTALL, ADJUST, SERVICE, MAINTENANCE OR REPAIR (HEREINAFTER, "SERVICE") THE EQUIPMENT SPECIFIED IN THIS MANUAL SHOULD SERVICE THE EQUIPMENT. THE MANUFACTURER WILL NOT BE RESPONSIBLE FOR ANY INJURY OR PROPERTY DAMAGE ARISING FROM IMPROPER SERVICE OR SERVICE PROCEDURES. IF YOU SERVICE THIS UNIT, YOU ASSUME RESPONSIBILITY FOR ANY INJURY OR PROPERTY DAMAGE WHICH MAY RESULT. IN ADDITION, IN JURISDICTIONS THAT REQUIRE ONE OR MORE LICENSES TO SERVICE THE EQUIPMENT SPECIFIED IN THIS MANUAL, ONLY LICENSED PERSONNEL SHOULD SERVICE THE EQUIPMENT. IMPROPER INSTALLATION, ADJUSTMENT, SERVICING, MAINTENANCE OR REPAIR OF THE EQUIPMENT SPECIFIED IN THIS MANUAL, OR ATTEMPTING TO INSTALL, ADJUST, SERVICE OR REPAIR THE EQUIPMENT SPECIFIED IN THIS MANUAL WITHOUT PROPER TRAINING MAY RESULT IN PRODUCT DAMAGE, PROPERTY DAMAGE, PERSONAL INJURY OR DEATH.



WARNING


DO NOT BYPASS SAFETY DEVICES.




IMPORTANT INFORMATION

| | |
|---|----|
| STANDING PRESSURE TEST (RECOMMENDED BEFORE SYSTEM EVACUATION) | 25 |
| LEAK TESTING (NITROGEN OR NITROGEN-TRACED)..... | 25 |
| SYSTEM EVACUATION | 25 |
| DEEP VACUUM METHOD (RECOMMENDED) | 26 |
| TRIPLE EVACUATION METHOD..... | 26 |
| CHARGING | 26 |
| CHECKING COMPRESSOR EFFICIENCY | 27 |
| THERMOSTATIC EXPANSION VALVE | 27 |
| OVERFEEDING | 27 |
| UNDERFEEDING..... | 28 |
| SUPERHEAT..... | 28 |
| CHECKING SUPERHEAT..... | 28 |
| CHECKING SUBCOOLING..... | 29 |
| EXPANSION VALVE (TXV) SYSTEM..... | 29 |
| FIXED ORIFICE RESTRICTION DEVICES | 30 |
| CHECKING RESTRICTED LIQUID LINE..... | 30 |
| REFRIGERANT OVERCHARGE | 30 |
| NON-CONDENSABLES..... | 31 |
| COMPRESSOR BURNOUT..... | 31 |
| REVERSING VALVE REPLACEMENT | 34 |
| CHECKING EXTERNAL STATIC PRESSURE..... | 34 |
| WIRING DIAGRAMS..... | 36 |


IMPORTANT NOTICES RECOGNIZE SAFETY SYMBOLS, WORDS AND LABELS

 **WARNING**

TO PREVENT THE RISK OF PROPERTY DAMAGE, PERSONAL INJURY OR DEATH, DO NOT STORE COMBUSTIBLE MATERIALS OR USE GASOLINE OR OTHER FLAMMABLE LIQUIDS OR VAPORS IN THE VICINITY OF THIS APPLIANCE.

 **WARNING**

HIGH VOLTAGE
DISCONNECT ALL POWER BEFORE SERVICING OR INSTALLING THIS UNIT. MULTIPLE POWER SOURCES MAY BE PRESENT. FAILURE TO DO SO MAY CAUSE PROPERTY DAMAGE, PERSONAL INJURY OR DEATH.




 **WARNING**

THIS UNIT SHOULD NOT BE CONNECTED TO, OR USED IN CONJUNCTION WITH, ANY DEVICES THAT ARE NOT DESIGN CERTIFIED FOR USE WITH THIS UNIT OR HAVE NOT BEEN TESTED AND APPROVED BY THE MANUFACTURER. SERIOUS PROPERTY DAMAGE OR PERSONAL INJURY, REDUCED UNIT PERFORMANCE AND/OR HAZARDOUS CONDITIONS MAY RESULT FROM THE USE OF DEVICES THAT HAVE NOT BEEN APPROVED OR CERTIFIED BY THE MANUFACTURER.

SAFE REFRIGERANT HANDLING

While these items will not cover every conceivable situation, they should serve as a useful guide.

 **WARNING**

REFRIGERANTS ARE HEAVIER THAN AIR. THEY CAN “PUSH OUT” THE OXYGEN IN YOUR LUNGS OR IN ANY ENCLOSED SPACE. TO AVOID POSSIBLE DIFFICULTY IN BREATHING OR DEATH:


- NEVER PURGE REFRIGERANT INTO AN ENCLOSED ROOM OR SPACE. BY LAW, ALL REFRIGERANT MUST BE RECLAIMED.
- IF AN INDOOR LEAK IS SUSPECTED, THOROUGHLY VENTILATE THE AREA BEFORE BEGINNING WORK.
- LIQUID REFRIGERANT CAN BE VERY COLD. TO AVOID POSSIBLE FROSTBITE OR BLINDNESS, AVOID CONTACT WITH REFRIGERANT AND WEAR GLOVES AND GOGGLES. IF LIQUID REFRIGERANT DOES CONTACT YOUR SKIN OR EYES, SEEK MEDICAL HELP IMMEDIATELY.
- ALWAYS FOLLOW EPA REGULATIONS. NEVER BURN REFRIGERANT, AS POISONOUS GAS WILL BE PRODUCED.

 **WARNING**

TO AVOID POSSIBLE INJURY, EXPLOSION OR DEATH, PRACTICE SAFE HANDLING OF REFRIGERANTS.


 **WARNING**

THE COMPRESSOR POE OIL FOR R-410A UNITS IS EXTREMELY SUSCEPTIBLE TO MOISTURE ABSORPTION AND COULD CAUSE COMPRESSOR FAILURE. DO NOT LEAVE SYSTEM OPEN TO ATMOSPHERE ANY LONGER THAN NECESSARY FOR INSTALLATION.

 **WARNING**

TO AVOID POSSIBLE EXPLOSION:

- NEVER APPLY FLAME OR STEAM TO A REFRIGERANT CYLINDER. IF YOU MUST HEAT A CYLINDER FOR FASTER CHARGING, PARTIALLY IMMERSE IT IN WARM WATER.
- NEVER FILL A CYLINDER MORE THAN 80% FULL OF LIQUID REFRIGERANT.
- NEVER ADD ANYTHING OTHER THAN R-22 TO AN R-22 CYLINDER OR R-410A TO AN R-410A CYLINDER. THE SERVICE EQUIPMENT USED MUST BE LISTED OR CERTIFIED FOR THE TYPE OF REFRIGERANT USED.
- STORE CYLINDERS IN A COOL, DRY PLACE. NEVER USE A CYLINDER AS A PLATFORM OR A ROLLER.

 **WARNING**

TO AVOID POSSIBLE EXPLOSION, USE ONLY RETURNABLE (NOT DISPOSABLE) SERVICE CYLINDERS WHEN REMOVING REFRIGERANT FROM A SYSTEM.

- ENSURE THE CYLINDER IS FREE OF DAMAGE WHICH COULD LEAD TO A LEAK OR EXPLOSION.
- ENSURE THE HYDROSTATIC TEST DATE DOES NOT EXCEED 5 YEARS.
- ENSURE THE PRESSURE RATING MEETS OR EXCEEDS 400 LBS.

WHEN IN DOUBT, DO NOT USE CYLINDER.

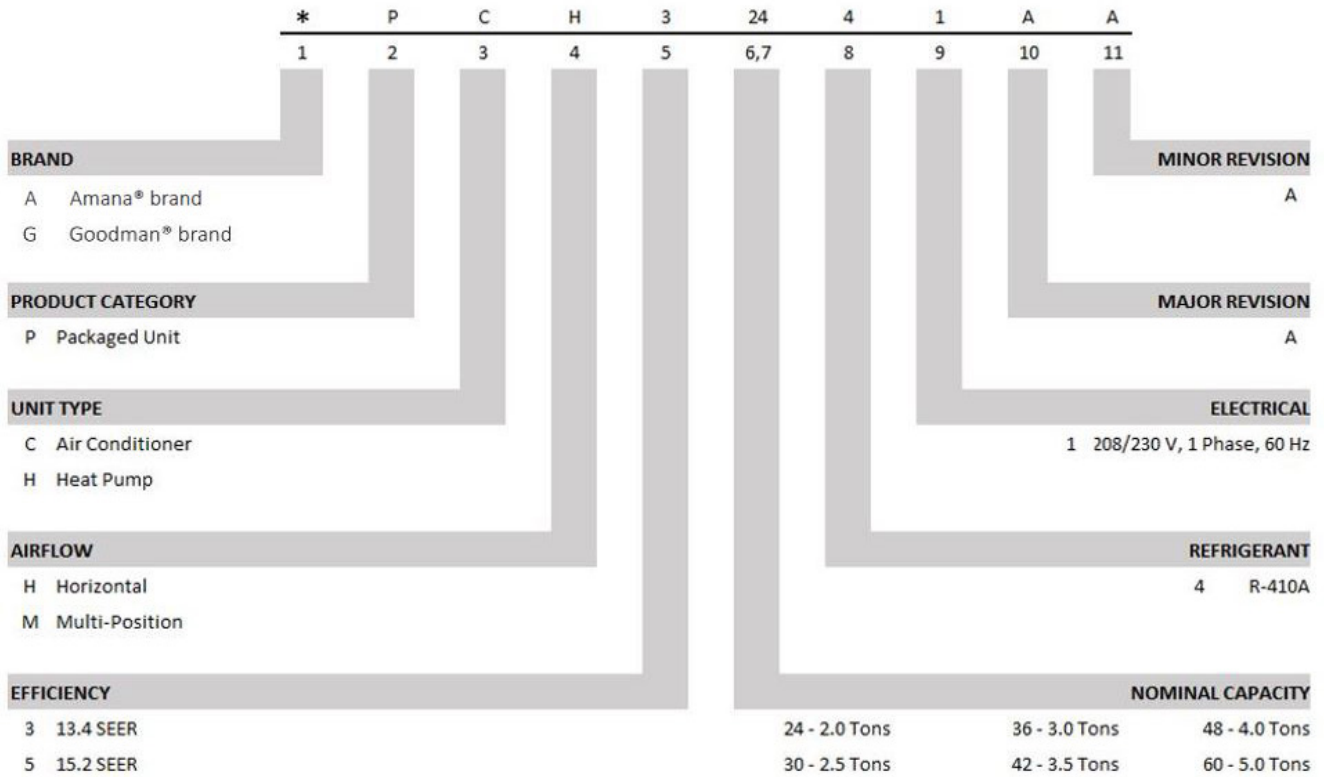
OUTSIDE THE U.S., call 1-713-861-2500.

(Not a technical assistance line for dealers.) Your telephone company will bill you for the call.

PRODUCT IDENTIFICATION

NOMENCLATURE

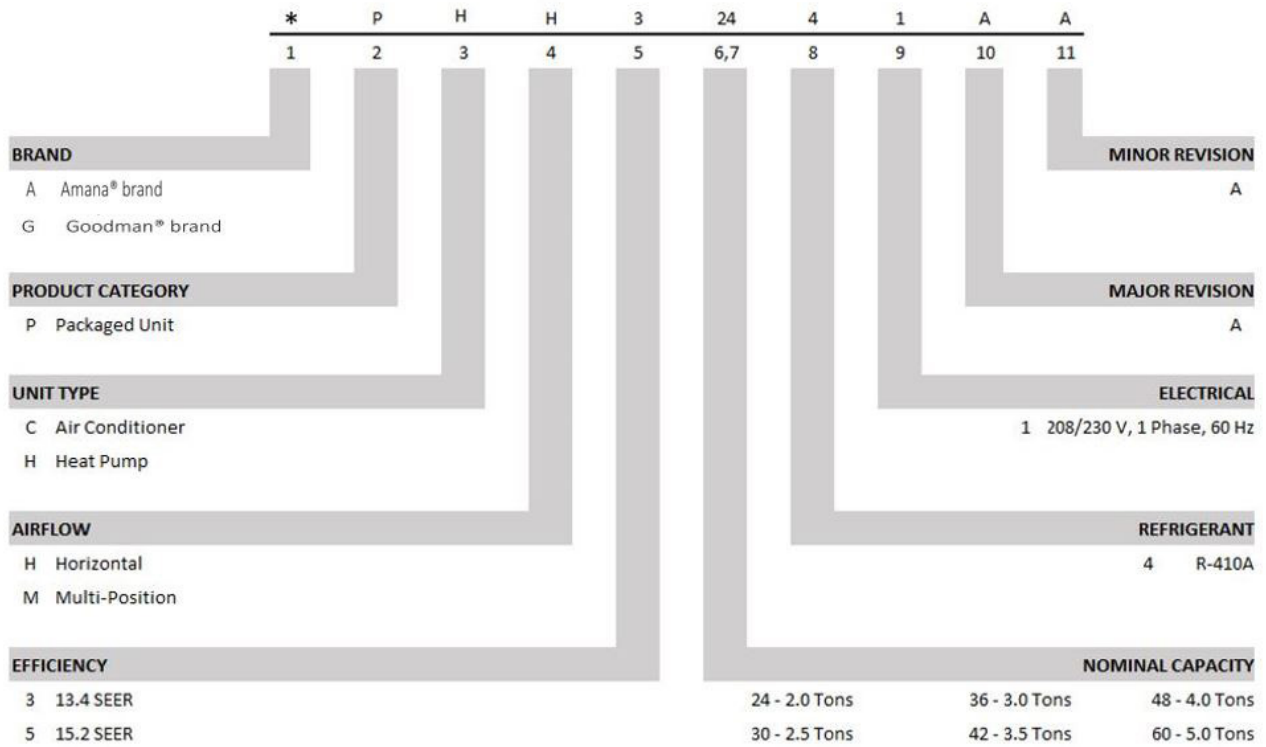
The model number is used for positive identification of component parts used in manufacturing. Please use this number when requesting service or parts information.



PRODUCT IDENTIFICATION

NOMENCLATURE

The model number is used for positive identification of component parts used in manufacturing. Please use this number when requesting service or parts information.



PRODUCT IDENTIFICATION

| MODEL # | PACKAGE COOLING DESCRIPTION |
|--|---|
| GPC1424-48H41AA | <u>G</u> oodman® Brand or Distinctions <u>P</u> ackage <u>C</u> ooling - 14 Seer 208-230/1/60 Single-Phase Electric Cooling Unit with R-410A. |
| GPC1424-48H41AB | <u>G</u> oodman® Brand or Distinctions <u>P</u> ackage <u>C</u> ooling - 14 Seer 208-230/1/60 Single-Phase Electric Cooling Unit with R-410A. Models with 5 mm condenser coils. |
| GPC1424-48H41BA | <u>G</u> oodman® Brand or Distinctions <u>P</u> ackage <u>C</u> ooling - 14 Seer 208-230/1/60 Single-Phase Electric Cooling Unit with R-410A. Models with aluminum evaporator coils. |
| GPC1460H41BA | <u>G</u> oodman® Brand or Distinctions <u>P</u> ackage <u>C</u> ooling - 14 Seer 208-230/1/60 Single-Phase Electric Cooling Unit with R-410A. Models with 5 mm condenser coils and aluminum evaporator coils. |
| GPC1424-48H41AC GPC1460H41AB | <u>G</u> oodman® Brand or Distinctions <u>P</u> ackage <u>C</u> ooling - 14 Seer 208-230/1/60 Single-Phase Electric Cooling Unit with R-410A. Adds "T" to liquid line and re-locates the pressure switch on "H" series cooling models. |
| GPC1424H41CA | <u>G</u> oodman® Brand or Distinctions <u>P</u> ackage <u>C</u> ooling - 14 Seer 208-230/1/60 Single-Phase Electric Cooling Unit with R-410A. Two ton models with a Rechi compressor. |
| GPC1430-60H41CA | <u>G</u> oodman® Brand or Distinctions <u>P</u> ackage <u>C</u> ooling - 14 Seer 208-230/1/60 Single-Phase Electric Cooling Unit with R-410A. Models with Broad Ocean Digi motor. |
| GPC1436H41EA | <u>G</u> oodman® Brand or Distinctions <u>P</u> ackage <u>C</u> ooling - 14 Seer 208-230/1/60 Single-Phase Electric Cooling Unit with R-410A. |
| A/GPC1424-60H41DA | <u>A</u> mana® Brand/ <u>G</u> oodman® Brand or Distinctions <u>P</u> ackage <u>C</u> ooling - 14 Seer 208-230/1/60 Single-Phase Electric Cooling Unit with R-410A. Models that change static ratings to be max 0.88 on all E-Heat kits besides 20 kW. |
| A/GPC1436H41DB | <u>A</u> mana® Brand/ <u>G</u> oodman® Brand or Distinctions <u>P</u> ackage <u>C</u> ooling - 14 Seer 208-230/1/60 Single-Phase Electric Cooling Unit with R-410A. Updates HKR heater kits to HKP heater kits with circuit breakers. |
| A/GPC1424-30H41EB A/GPC1436H41DC APC1442-60H41EB | <u>A</u> mana® Brand/ <u>G</u> oodman® Brand or Distinctions <u>P</u> ackage <u>C</u> ooling - 14 Seer 208-230/1/60 Single-Phase Electric Cooling Unit with R-410A. Converted Aluminum coils with 3/8" return bends/crossovers to Aluminum coils using 9mm return bends/crossovers. |
| A/GPC1424-30H41EC A/GPC1436H41DD A/GPC1442-60H41EC | <u>A</u> mana® Brand/ <u>G</u> oodman® Brand or Distinctions <u>P</u> ackage <u>C</u> ooling - 14 Seer 208-230/1/60 Single-Phase Electric Cooling Unit with R-410A. Release of models with access box removed. |
| A/GPC1436H41DE | Distinctions <u>P</u> ackage <u>C</u> ooling - 14 Seer 208-230/1/60 Single-Phase Electric Cooling Unit with R-410A. Compressor change for more robust efficiency. |
| A/GPC1430H41GA | <u>A</u> mana® Brand/ <u>G</u> oodman® Brand or Distinctions <u>P</u> ackage <u>C</u> ooling - 14 Seer 208-230/1/60 Single-Phase Electric Cooling Unit with R-410A. Compressor change for more robust efficiency. |
| A/GPCH3[24-60]41A* | <u>A</u> mana® Brand/ <u>G</u> oodman® Brand <u>P</u> ackage <u>E</u> lectric <u>C</u> ooling - 13.4 SEER2 208-230/1/60 Single-Phase unit with R410A. Initial release (H-Models) meeting 2023 Regulatory Requirements. |

PRODUCT IDENTIFICATION

| MODEL # | PACKAGE COOLING / HEATING DESCRIPTION |
|---|--|
| GPH1424-60H41AB | Goodman® Brand or Distinctions P ackage H eat P ump - 14 Seer 208-230/1/60 Single-Phase Heat Pump with R-410A. Models are changing to the PCBDM133 defrost control and with the addition of the crankcase heaters where necessary. |
| GPH1424-60H41AA | Goodman® Brand or Distinctions P ackage H eat P ump - 14 Seer 208-230/1/60 Single-Phase Heat Pump with R-410A. |
| GPH1424-60H41AC | Goodman® Brand or Distinctions P ackage H eat P ump - 14 Seer 208-230/1/60 Single-Phase Heat Pump with R-410A. Adds "T" to liquid line and relocates the pressure switch on "H" series heat pumps. |
| GPH1424-60H41BA | Goodman® Brand or Distinctions P ackage H eat P ump - 14 Seer 208-230/1/60 Single Phase Heat Pump with R-410A. Models with Aluminum Evaporator Coils. |
| GPH1424-60H41CA | Goodman® Brand or Distinctions P ackage H eat P ump - 14 Seer 208-230/1/60 Single Phase Heat Pump with R-410A models with Broad Ocean Digi Motor. |
| A/GPH1424-42H41DA A/GPH1448H41DA GPH1460H41DA | Amana® Brand/ Goodman® Brand or Distinctions P ackage H eat P ump - 14 Seer 208-230/1/60 Single Phase Heat Pump with R-410A. Models that change static ratings to be max 0.88 on all E-Heat kits besides 20 kW. |
| A/GPH1424-36H41DB | Amana® Brand/ Goodman® Brand or Distinctions P ackage H eat P ump - 14 Seer 208-230/1/60 Single Phase Heat Pump with R-410A. Updates HKR heater kits to HKP heater kits with circuit breakers. |
| A/GPH1424-30H41DC A/GPH1442-60H41EC | Amana® Brand/ Goodman® Brand or Distinctions P ackage H eat P ump - 14 Seer 208-230/1/60 Single Phase Heat Pump with R-410A. Release of models with access box removed. |
| A/GP1460H41FA | Amana® Brand/ Goodman® Brand or Distinctions P ackage H eat P ump - 14 Seer 208-230/1/60 Single Phase Heat Pump with R-410A. Release of models with access box removed. |
| A/GPHH3[24-60]41A* | Amana® Brand/ Goodman® Brand P ackage H eat P ump - 13.4 SEER2 208-230/1/60 Single Phase Heat Pump with R-410A. Initial release (H-Models) meeting 2023 Regulation Requirements. |

PRODUCT IDENTIFICATION

| MODEL # | PACKAGE COOLING / HEATING DESCRIPTION |
|--------------------|--|
| A/GPC1524-60H41AA | A mana® Brand/ G oodman® Brand or Distinctions® P ackage C ooling - 15 Seer 208-230/1/60 Single-Phase Electric Cooling Unit with R-410A. Initial release of the 15 SEER H model cooling units to meet Ready 15 requirements. |
| A/GPC1524-60H41AB | A mana® Brand/ G oodman® Brand or Distinctions® P ackage C ooling - 15 Seer 208-230/1/60 Single-Phase Electric Cooling Unit with R-410A. Release of models with access box removed. |
| A/GPC1524-60H41AC | A mana® Brand/ G oodman® Brand or Distinctions® P ackage H eat Pump - 16 Seer 208-230/1/60 Single-Phase Heat Pump with R-410A. |
| A/GPH1624-60H41AA | A mana® Brand/ G oodman® Brand or Distinctions® P ackage H eat Pump - 16 Seer 208-230/1/60 Single-Phase Heat Pump with R-410A. Initial release of the 15 SEER H model cooling units to meet Ready 15 requirements. |
| A/GPH1624-48H41AB | A mana® Brand/ G oodman® Brand or Distinctions® P ackage H eat Pump - 16 Seer 208-230/1/60 Single-Phase Heat Pump with R-410A. Release of models with access box removed. |
| A/GPH1642-H41BA | A mana® Brand/ G oodman® Brand or Distinctions® P ackage H eat Pump - 16 Seer 208-230/1/60 Single-Phase Heat Pump with R-410A. 2-Speed Compressor Change. |
| A/GPHH5[24-60]41A* | A mana® Brand/ G oodman® Brand P ackage H eat Pump - 15.2 SEER2 208-230/1/60 Single-Phase unit with R410A. Initial release (H-Models) meeting 2023 Regulation Requirements. |

SYSTEM OPERATION

COOLING

The refrigerant used in the system is R-410A. It is a clear, colorless, non-toxic and non-irritating liquid. R-410A is a 50:50 blend of R-32 and R-125. The boiling point at atmospheric pressure is -62.9°F.

A few of the important principles that make the refrigeration cycle possible are: heat always flows from a warmer to a cooler body. Under lower pressure, a refrigerant will absorb heat and vaporize at a low temperature. The vapors may be drawn off and condensed at a higher pressure and temperature to be used again.

The indoor evaporator coil functions to cool and dehumidify the air conditioned spaces through the evaporative process taking place within the coil tubes.

NOTE: The pressures and temperatures shown in the refrigerant cycle illustrations on the following pages are for demonstration purposes only. Actual temperatures and pressures are to be obtained from the "Expanded Performance Chart".

Liquid refrigerant at condensing pressure and temperatures, (270 psig and 122°F), leaves the outdoor condensing coil through the drier and is metered into the indoor coil through the metering device. As the cool, low pressure, saturated refrigerant enters the tubes of the indoor coil, a portion of the liquid immediately vaporizes. It continues to soak up heat and vaporizes as it proceeds through the coil, cooling the indoor coil down to about 48°F.

Heat is continually being transferred to the cool fins and tubes of the indoor evaporator coil by the warm system air. This warming process causes the refrigerant to boil. The heat removed from the air is carried off by the vapor.

As the vapor passes through the last tubes of the coil, it becomes superheated. That is, it absorbs more heat than is necessary to vaporize it. This is assurance that only dry gas will reach the compressor. Liquid reaching the compressor can weaken or break compressor valves.

The compressor increases the pressure of the gas, thus adding more heat, and discharges hot, high pressure super-heated gas into the outdoor condenser coil.

In the condenser coil, the hot refrigerant gas, being warmer than the outdoor air, first loses its superheat by heat transferred from the gas through the tubes and fins of the coil. The refrigerant now becomes saturated, part liquid, part vapor and then continues to give up heat until it condenses to a liquid alone. Once the vapor is fully liquefied, it continues to give up heat which subcools the liquid, and it is ready to repeat the cycle.

COOLING CYCLE

COOLING ONLY MODELS

When the contacts of the room thermostat close, making terminals R to Y and R to G, the low voltage circuit to the contactor is completed starting the compressor and outdoor fan motor. This also energizes the indoor blower through the 24V signal from the thermostat.

When the thermostat is satisfied, breaking the circuit between R to Y and R to G, the compressor and outdoor fan motor will stop. The indoor blower will stop after the fan off delay.

If the room thermostat fan selector switch should be set to the "on" position then the indoor blower would run continuous rather than cycling with the compressor.

HEAT PUMP MODELS

Any time the room thermostat is switched to cool, the O terminal is energized. This energizes the 24 volt coil on the reversing valve and switches it to the cooling position.

When the contacts of the room thermostat close, this closes the circuit from R to Y and R to G in the unit.

This energizes the compressor contactor and will energize the indoor blower instantly on models equipped with EEM blower motor.

When the thermostat is satisfied, it opens its contacts breaking the low voltage circuit causing the compressor contactor to open and indoor fan to stop after the programmed 60 second off delay on models equipped with EEM blower motors.

If the room thermostat fan selector switch should be set to the "on" position then the indoor blower would run continuous rather than cycling with the compressor.

HEATING CYCLE

COOLING ONLY UNITS

NOTE: The following only applies if the cooling only unit has an approved electric heat kit installed for heating. If auxiliary electric heaters should be used, they may be controlled by outdoor thermostats (OT18-60A or OT/EHR18-60A).

*PCH3 EEM EQUIPPED MODELS

With the thermostat set to the heat position and a call for heat, R to W will be energized. This will energize the electric heat sequencers and the EEM motor. The electric heat will be energized through the normally open contacts of the electric heat sequencers. The indoor blower will be energized through W from the thermostat.

When the thermostat is satisfied, this breaks the circuit from R to W. This will turn off the electric heaters, and the indoor blower after the programmed 60 second off delay.

SYSTEM OPERATION

SINGLE-STAGE HEAT PUMP UNITS

On a call for first stage heat, the contacts of the room thermostat close. This energizes terminals R to Y and R to G, the low voltage circuit to the contactor is completed starting the compressor and outdoor fan motor. This also energizes the indoor blower instantly on models equipped with EEM blower motors.

When the thermostat is satisfied, breaking the circuit between R to Y and R to G, the compressor and outdoor fan motor will stop after the programmed 60 second off delay on models equipped with EEM blower motors.

TWO-STAGE HEAT PUMP UNITS

On a call for first stage heat, the contacts of the room thermostat close. This energizes terminals R to Y1 and R to G, the low voltage circuit to the contactor is completed starting the compressor and outdoor fan motor. This also energizes the indoor blower motor.

When the thermostat is satisfied, breaking the circuit between R to Y1 and R to G, the compressor and outdoor fan motor will stop. The indoor blower will stop after the programmed off delay.

During first stage operation the stat calls for second stage heat. This energizes terminals R to Y2. This powers voltage to the compressor solenoid allowing the compressor to shift to full capacity. When the thermostat is satisfied, breaking the circuit between R to Y1, R to Y2 and R to G, the compressor and outdoor fan motor will stop. The indoor blower will stop after the programmed off delay on the motor.

When auxiliary electric heaters are used the Aux stage heating contacts in the room thermostat close, which would be wired to W1 at the unit low voltage connections, this would energize the coil(s) of the electric heat contactor(s)/sequencer(s). Contacts within the contactor(s)/Sequencer(s) will close, bringing on the electric resistance heaters. If auxiliary electric heaters should be used, the may be controlled by outdoor thermostats (OT18-60A or OT/EHR18-60A).

EMERGENCY HEAT MODE (HEAT PUMPS)

NOTE: The following only applies if the unit has an approved electric heat kit installed for auxiliary heating.

*PHC & *PHH EEM EQUIPPED MODELS

With the thermostat set to the emergency heat position, R to W1 will be energized. This will energize the electric heat sequencers and the EEM motor. The electric heat will be energized through the normally open contacts of the electric heat sequencers. The indoor blower will be energized through W from the thermostat.

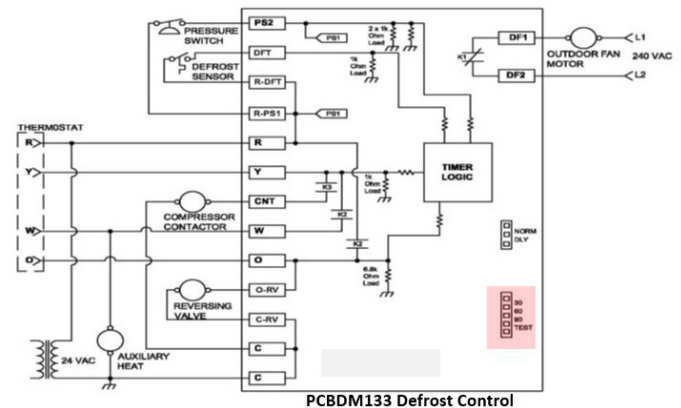
DEFROST CYCLE

PACKAGE HEAT PUMPS

The defrosting of the outdoor coil is jointly controlled by the defrost control board and the defrost thermostat.

SOLID STATE DEFROST CONTROL

During operation the power to the circuit board is controlled by a temperature sensor, which is clamped to a feeder tube entering the outdoor coil. Defrost timing periods of 30, 60, or 90 minutes may be selected by setting the circuit board jumper to 30, 60, or 90 respectively. Accumulation of time for the timing period selected starts when the sensor closes (approximately 30° F), and when the room thermostat calls for heat. At the end of the timing period, the unit's defrost cycle will be initiated provided the sensor remains closed. When the sensor opens (approximately 60° F), the defrost cycle is terminated and the timing period is reset. If the defrost cycle is not terminated due to the sensor temperature, a twelve minute override interrupts the unit's defrost period.



FAN OPERATION

CONTINUOUS FAN MODE

MODELS EQUIPPED WITH EEM BLOWER MOTORS

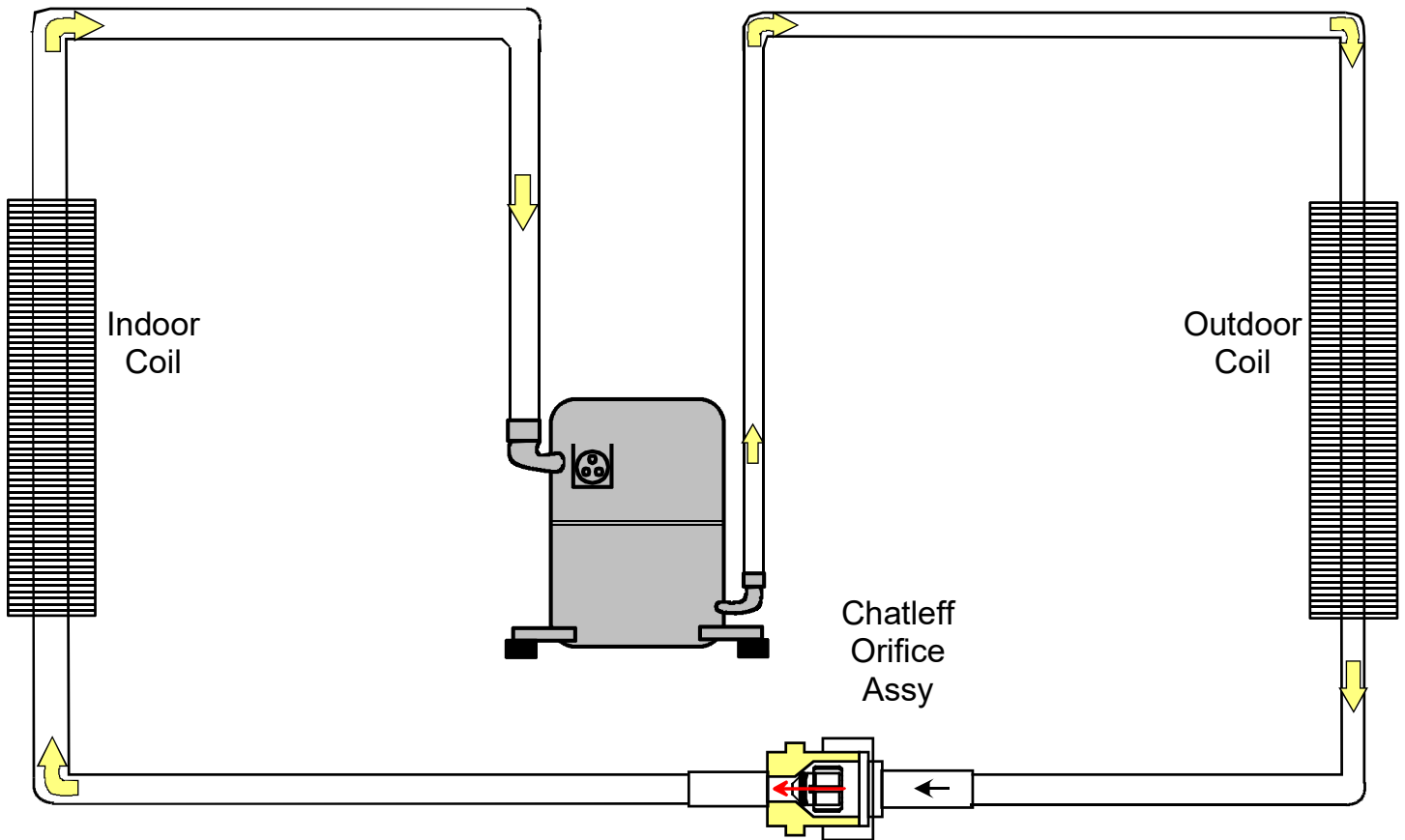
If the thermostat calls for continuous fan, the indoor blower will be energized from the G terminal of the thermostat to the EEM blower motor.

If a call for heat or cool occurs during a continuous fan call, the EEM motor will always recognize the call for the highest speed and ignore the lower speed call.

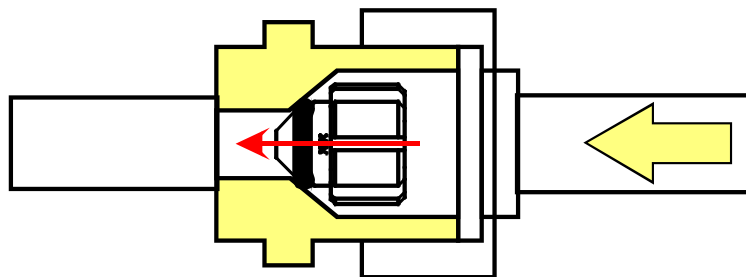
If the thermostat is not calling for heat or cool, and the fan switch on the thermostat is returned to the automatic position, the fan will stop after the programmed 60 second off delay on units with the EEM motor.

SYSTEM OPERATION

TYPICAL PACKAGE COOLING



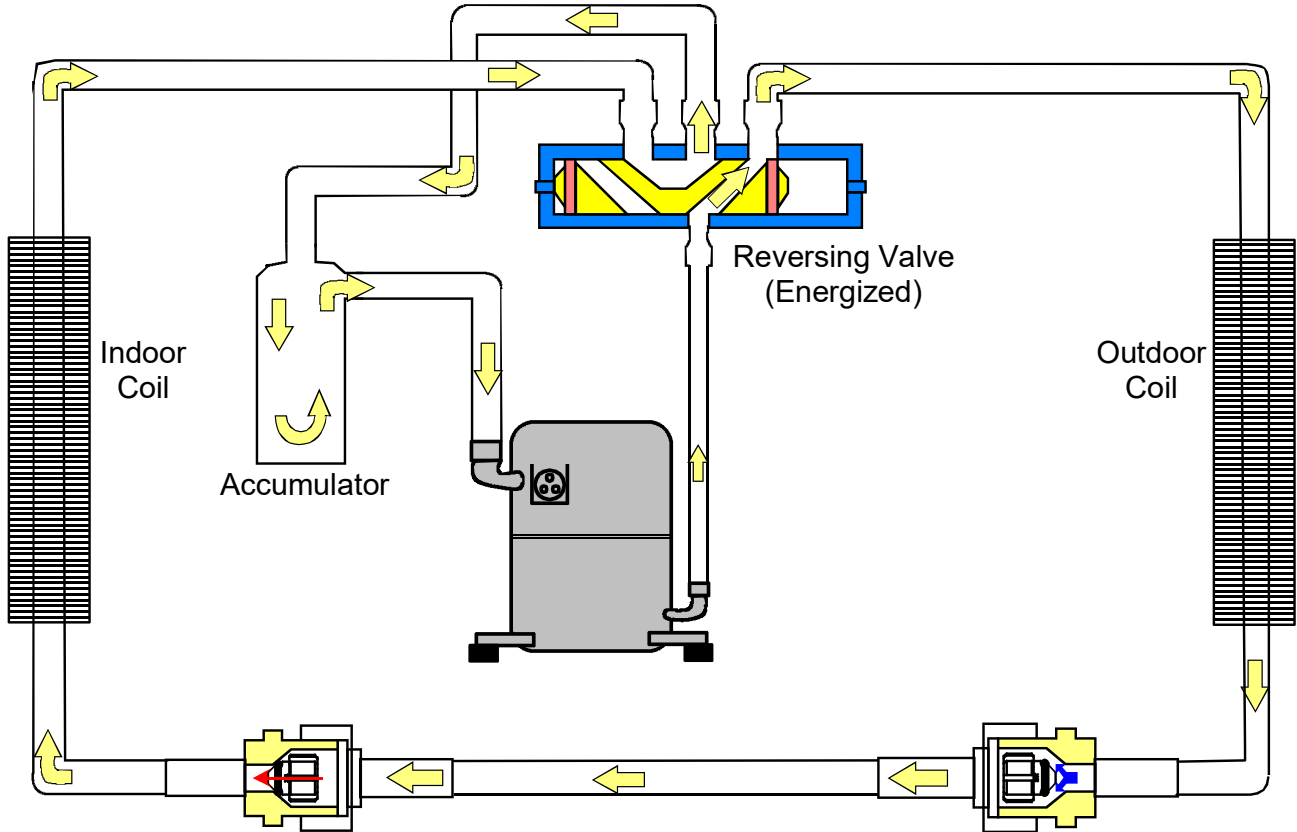
RESTRICTOR ORIFICE ASSEMBLY IN COOLING OPERATION



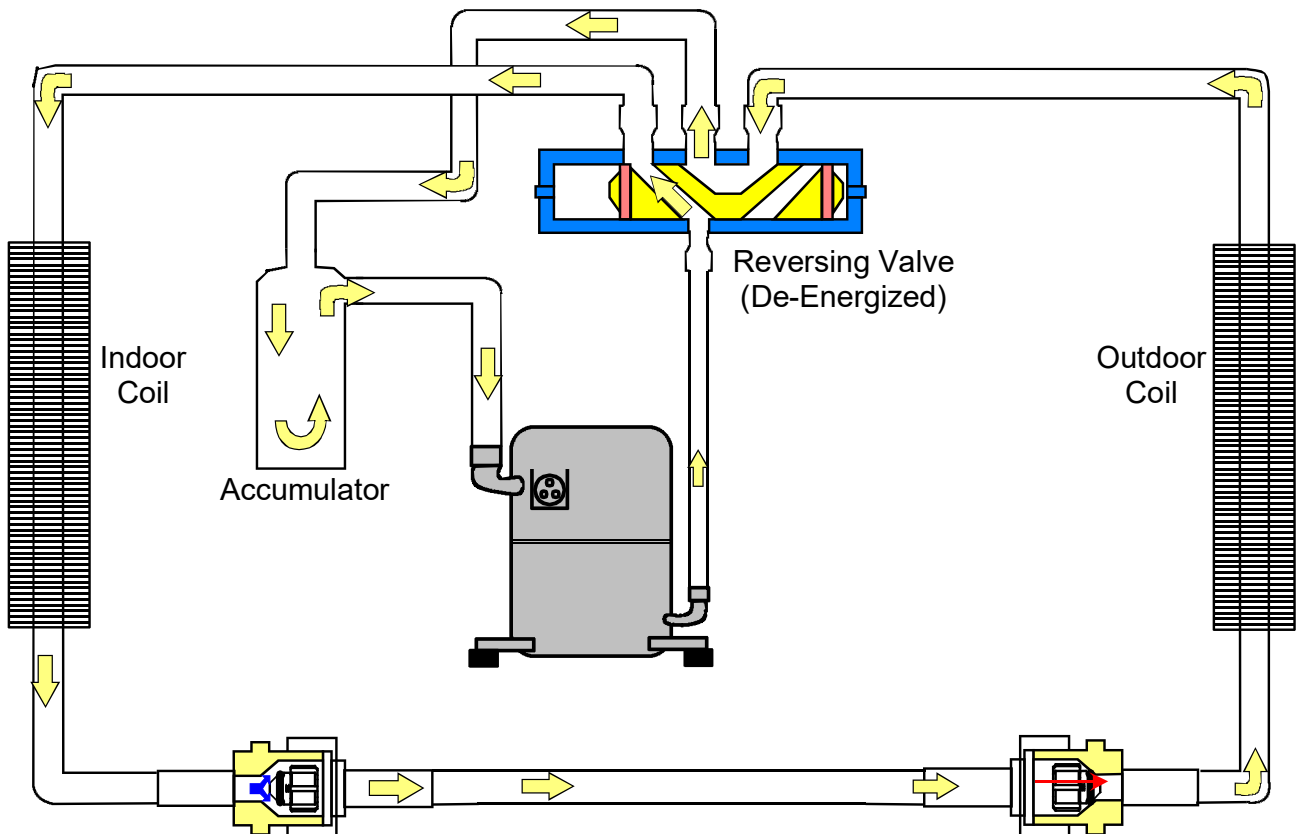
In the cooling mode the orifice is pushed into its seat forcing refrigerant to flow through the metered hole in the center of the orifice.

SYSTEM OPERATION

TYPICAL HEAT PUMP SYSTEM IN COOLING





TYPICAL HEAT PUMP SYSTEM IN HEATING



SCHEDULED MAINTENANCE

Package gas units require regularly scheduled maintenance to preserve high performance standards, prolong the service life of the equipment, and lessen the chances of costly failure.

In many instances the owner may be able to perform some of the maintenance; however, the advantage of a service contract, which places all maintenance in the hands of a trained serviceman, should be pointed out to the owner.

| | |
|---|---|
|  WARNING | |
| HIGH VOLTAGE! DISCONNECT ALL POWER BEFORE SERVICING OR INSTALLING. MULTIPLE POWER SOURCES MAY BE PRESENT. FAILURE TO DO SO MAY CAUSE PROPERTY DAMAGE, PERSONAL INJURY OR DEATH. |  |

ONCE A MONTH

1. Inspect the return filters of the evaporator unit and clean or change if necessary. **NOTE:** Depending on operation conditions, it may be necessary to clean or replace the filters more often. If permanent type filters are used, they should be washed with warm water and dried.
2. When operating on the cooling cycle, inspect the condensate line piping from the evaporator coil. Make sure the piping is clear for proper condensate flow.

ONCE A YEAR

QUALIFIED SERVICE PERSONNEL ONLY

1. Clean the indoor and outdoor coils.
2. Clean the cabinet inside and out.
3. Motors are permanently lubricated and do not require oiling. TO AVOID PREMATURE MOTOR FAILURE, DO NOT OIL.
4. Manually rotate the outdoor fan and indoor blower to be sure they run freely.
5. Inspect the control panel wiring, compressor connections, and all other component wiring to be sure all connections are tight. Inspect wire insulation to be certain that it is good.
6. Check the contacts of the compressor contactor. If they are burned or pitted, replace the contactor.
7. Using a halide or electronic leak detector, check all piping and etc. for refrigerant leaks.

TEST EQUIPMENT

Proper test equipment for accurate diagnosis is as essential as regular hand tools.

The following is a must for every service technician and service shop:


1. Thermocouple type temperature meter - measure dry bulb temperature.
2. Sling psychrometer - measure relative humidity and wet bulb temperature.
3. Volt-Ohm Meter - testing continuity, capacitors, motor windings and voltage.
4. Accurate Leak Detector - testing for refrigerant leaks.
5. High Vacuum Pump - evacuation.
6. Electric Vacuum Gauge, Manifold Gauges and high vacuum hoses - to measure and obtain proper vacuum.
7. Accurate Charging Cylinder or Electronic Scale - measure proper refrigerant charge.
8. Inclined Manometer - measure static pressure and pressure drop across coils.

Other recording type instruments can be essential in solving abnormal problems, however, in many instances they may be rented from local sources.


Proper equipment promotes faster, more efficient service, and accurate repairs with less call backs.

SERVICING

CHECKING VOLTAGE


WARNING

HIGH VOLTAGE!
DISCONNECT ALL POWER BEFORE SERVICING OR INSTALLING. MULTIPLE POWER SOURCES MAY BE PRESENT. FAILURE TO DO SO MAY CAUSE PROPERTY DAMAGE, PERSONAL INJURY OR DEATH.



1. Remove doors, control panel cover, etc. from unit being tested.

With power ON:


WARNING


LINE VOLTAGE NOW PRESENT.

2. Using a voltmeter, measure the voltage across terminals L1 and L2 of the contactor.
3. No reading - indicates open wiring, open fuse(s) no power or etc. from unit to fused disconnect service. Repair as needed.
4. If incoming voltage is within the range listed in the chart below, energize the unit.
5. Using a voltmeter, measure the voltage with the unit starting and operating to determine if voltage is within the range listed in the chart below.
6. If the voltage falls below the minimum voltage, check the line wire size. Long runs of undersized wire can cause low voltage. If the wire size is adequate, notify the local power company regarding either low or high voltage.


UNIT VOLTAGE

| Rated Voltage | Minimum Supply Voltage | Maximum Supply Voltage |
|---------------|------------------------|------------------------|
| 208/230V | 197 | 253 |

CHECKING WIRING


WARNING

HIGH VOLTAGE!
DISCONNECT ALL POWER BEFORE SERVICING OR INSTALLING. MULTIPLE POWER SOURCES MAY BE PRESENT. FAILURE TO DO SO MAY CAUSE PROPERTY DAMAGE, PERSONAL INJURY OR DEATH.

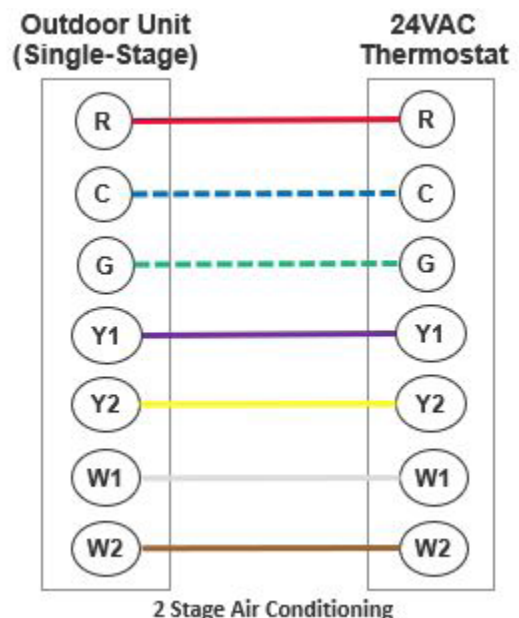
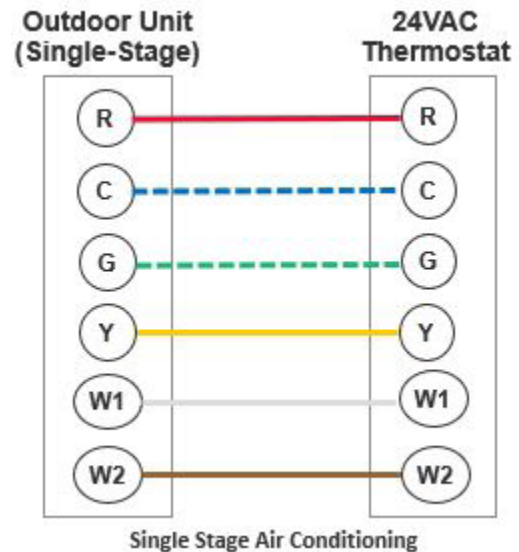


| BRANCH CIRCUIT AMPACITY | 15 | 20 | 25 | 30 | 35 | 40 | 45 | 50 |
|---------------------------|----|----|----|----|----|----|----|----|
| SUPPLY WIRE LENGTH - FEET | | | | | | | | |
| 200 | 6 | 4 | 4 | 4 | 3 | 3 | 2 | 2 |
| 150 | 8 | 6 | 6 | 4 | 4 | 4 | 3 | 3 |
| 100 | 10 | 8 | 8 | 6 | 6 | 6 | 4 | 4 |
| 50 | 14 | 12 | 10 | 10 | 8 | 8 | 6 | 6 |

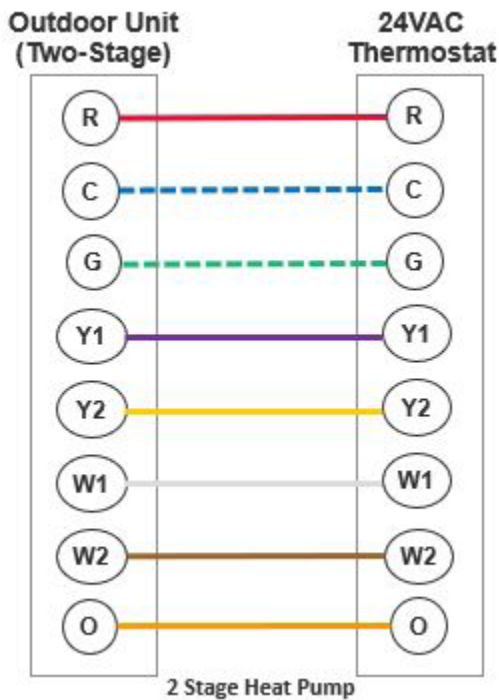
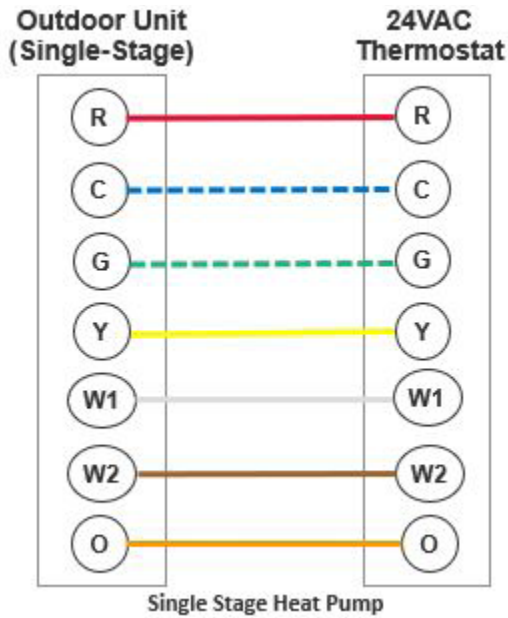
1. Check wiring visually for signs of overheating, damaged insulation and loose connections.
2. Use an ohmmeter to check continuity of any suspected open wires.
3. If any wires must be replaced, replace with comparable gauge and insulation thickness.

CHECKING THERMOSTAT AND WIRING

Thermostat Wiring: The maximum wire length for 18 AWG thermostat wire is 100 feet.



SERVICING



- No voltage indicates trouble in the thermostat, wiring or external transformer source.
- Check the continuity of the thermostat and wiring. Repair or replace as necessary.

INDOOR BLOWER MOTOR



With power ON:

| |
|--|
|  WARNING |
| LINE VOLTAGE NOW PRESENT. |

- Use a voltmeter to verify 24 volts present at thermostat wires C and R.
- If no voltage present, check transformer and transformer wiring. If 24 volts present, proceed to step 3.
- Set fan selector switch at thermostat to "ON" position.
- With voltmeter, check for 24 volts at wires C and G.
- No voltage, indicates the trouble is in the thermostat or wiring.
- Check the continuity of the thermostat and wiring. Repair or replace as necessary.

CHECKING TRANSFORMER AND CONTROL CIRCUIT

A step-down transformer (208/240 volt primary to 24 volt secondary) is provided with each package unit. This allows ample capacity for use with resistance heaters.

| | |
|--|---|
|  WARNING | |
| HIGH VOLTAGE! DISCONNECT ALL POWER BEFORE SERVICING OR INSTALLING. MULTIPLE POWER SOURCES MAY BE PRESENT. FAILURE TO DO SO MAY CAUSE PROPERTY DAMAGE, PERSONAL INJURY OR DEATH. |  |

- Remove control panel cover, or etc., to gain access to transformer.

With power ON:

| |
|--|
|  WARNING |
| LINE VOLTAGE NOW PRESENT. |

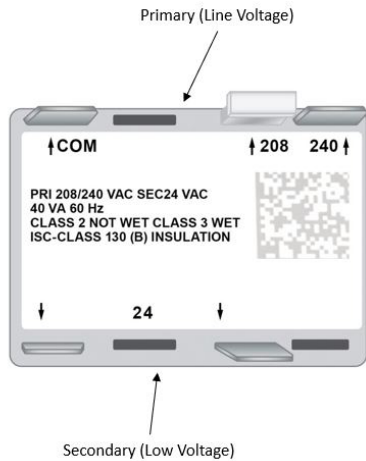
- Using a voltmeter, check voltage across secondary voltage side of transformer (R to C).
- No voltage indicates faulty transformer, bad wiring, or bad splices.
- Check transformer primary voltage at incoming line voltage connections and/or splices.
- If line voltage available at primary voltage side of transformer and wiring and splices good, transformer is inoperative. Replace.

| |
|--|
|  WARNING |
| LINE VOLTAGE NOW PRESENT. |

With power ON and thermostat calling for cooling:

- Use a voltmeter to verify 24 volts present at thermostat wires C and R.
- If no voltage present, check transformer and transformer wiring. If 24 volts present, proceed to step 3.
- Use a voltmeter to check for 24 volts at thermostat wires C and Y.

SERVICING



TRANSFORMER

CHECKING CONTACTOR AND/OR RELAYS

The compressor contactor and other relay holding coils are wired into the low or line voltage circuits. When the control circuit is energized the coil pulls in the normally open contacts or opens the normally closed contacts. When the coil is de-energized, springs return the contacts to their normal position.


WARNING

DISCONNECT POWER SUPPLY BEFORE SERVICING.

1. Remove the leads from the holding coil.
2. Using an ohmmeter, test across the coil terminals.

If the coil does not test continuous, replace the relay or contactor.

CHECKING CONTACTOR CONTACTS


WARNING

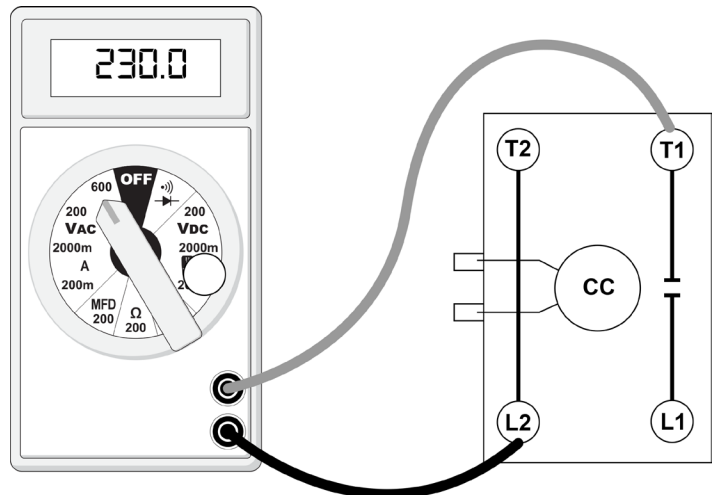
DISCONNECT POWER SUPPLY BEFORE SERVICING.

SINGLE PHASE

1. Disconnect the wire leads from the terminal (T) side of the contactor.
2. With power ON, energize the contactor.


WARNING

LINE VOLTAGE NOW PRESENT.



TESTING COMPRESSOR CONTACTOR (SINGLE PHASE)

3. Using a voltmeter, test across terminals.
 - A. L1 - L2 - No voltage. Check breaker or fuses on main power supply.
 - B. T1 to T2 - Meter should read the same as L1 to L2 in step A. If voltage readings are not the same as step A, replace contactor.


CHECKING LOW PRESSURE CONTROL (HEAT PUMP MODELS)

The low pressure control senses the pressure in the suction line and will open its contacts on a drop in pressure. The low pressure control will automatically reset itself with a rise in pressure.


The low pressure control is designed to cut-out (open) at approximately 22 PSIG. It will automatically cut-in (close) at approximately 50 PSIG.

Test for continuity using a VOM and if not as above, replace the control.

CHECKING HIGH PRESSURE CONTROL


WARNING

HIGH VOLTAGE!
DISCONNECT ALL POWER BEFORE SERVICING OR INSTALLING. MULTIPLE POWER SOURCES MAY BE PRESENT. FAILURE TO DO SO MAY CAUSE PROPERTY DAMAGE, PERSONAL INJURY OR DEATH.



The high pressure control senses the pressure in the liquid or discharge line. If abnormally high condensing pressures develop, the contacts of the control open, breaking the control circuit before the compressor motor overloads. This control is automatically reset.

1. Using an ohmmeter, check across terminals of high pressure control, with wire removed. If not continuous, the contacts are open.

SERVICING

2. Attach a gauge to the dill valve port on the base valve.

With power ON:

| |
|--|
|  WARNING |
| LINE VOLTAGE NOW PRESENT. |

3. Start the system and place a piece of cardboard in front of the condenser coil, raising the condensing pressure.
4. Check pressure at which the high pressure control cuts-out.

If it cuts-out at 660 PSIG \pm 10 PSIG, it is operating normally (See causes for high head pressure in Service Problem Analysis Guide). If it cuts out below this pressure range, replace the control. The control should reset at 420 PSIG \pm 25 PSIG.

CHECKING INTERNAL OVERLOAD

Prevents the compressor windings from overheating.
Reacts to both current and temperature Cuts out 302°F.
Cuts in between 146 and 176°F.

1. Using an ohmmeter, test continuity between terminals, If either winding test continuous, Internal overload open.
2. Allow time for the compressor to cool, and overload to close and retest.

CHECKING CAPACITOR CAPACITOR, RUN

A run capacitor is wired across the auxiliary and main windings of a single phase permanent split capacitor motor. The capacitors primary function is to reduce the line current while greatly improving the torque characteristics of a motor. This is accomplished by using the 90° phase relationship between the capacitor current and voltage in conjunction with the motor windings so that the motor will give two phase operation when connected to a single phase circuit. The capacitor also reduces the line current to the motor by improving the power factor.

CAPACITOR, START SCROLL COMPRESSOR MODELS

Hard start components are not required on Scroll compressor equipped units due to a non-replaceable check valve located in the discharge line of the compressor. However hard start kits are available and may improve low voltage starting characteristics.

This check valve closes off high side pressure to the compressor after shut down allowing equalization through the scroll flanks. Equalization requires only about one or two seconds during which time the compressor may turn backwards.

Your unit comes with a 180-second anti-short cycle to prevent the compressor from starting and running backwards.

MODELS EQUIPPED WITH A HARD START DEVICE

A start capacitor is wired in parallel with the run capacitor to increase the starting torque. The start capacitor is of the electrolytic type, rather than metallized polypropylene as used in the run capacitor.

A switching device must be wired in series with the capacitor to remove it from the electrical circuit after the compressor starts to run. Not removing the start capacitor will overheat the capacitor and burn out the compressor windings.

These capacitors have a 15,000 ohm, 2 watt resistor wired across its terminals. The object of the resistor is to discharge the capacitor under certain operating conditions, rather than having it discharge across the closing of the contacts within the switching device such as the Start Relay, and to reduce the chance of shock to the servicer. See the Servicing Section for specific information concerning capacitors.

RELAY, START

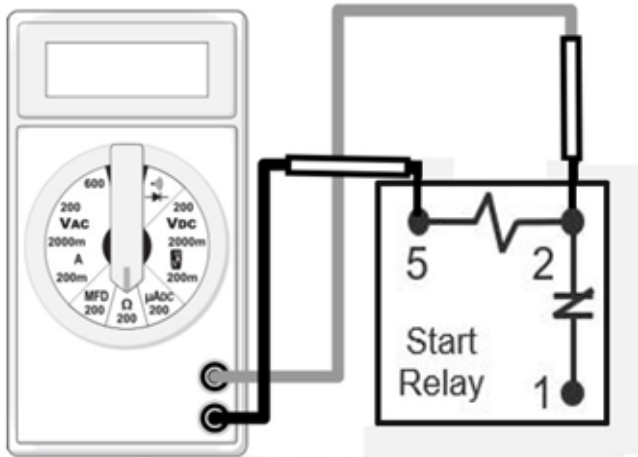
A potential or voltage type relay is used to take the start capacitor out of the circuit once the motor comes up to speed. This type of relay is position sensitive. The normally closed contacts are wired in series with the start capacitor and the relay holding coil is wired parallel with the start winding. As the motor starts and comes up to speed, the increase in voltage across the start winding will energize the start relay holding coil and open the contacts to the start capacitor.

TESTING START RELAY KITS

TESTING COIL RELAY

1. Disconnect power to unit.
2. Disconnect all wiring.
3. Measure the resistance of the coil between terminals 2 & 5.
4. If the coil reads open or shorted, replace the relay.

SERVICING



TESTING START RELAY COIL RESISTANCE

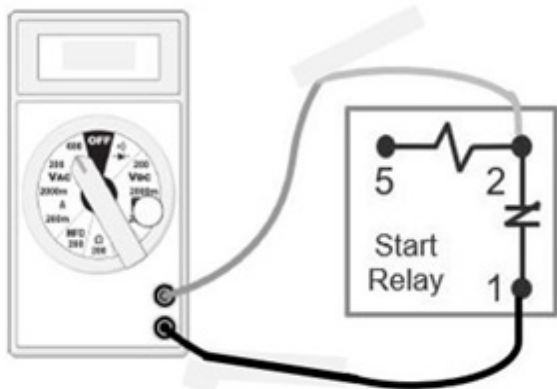
TESTING RELAY CONTACTS

TESTING CONTACTS RESISTANCE

- Disconnect power to unit
- Disconnect all wiring to the start relay
- Measure the resistance of the contacts between terminals 1 & 2
- If the contacts read open, replace the relay

TESTING CONTACTS VOLTAGE

- With power on, provide a call for cool to energize the compressor
- With the compressor running, use a voltmeter to measure the voltage between terminals 1 & 2.
- Voltage reading of zero indicates that the relay's contacts are stuck, replace the relay.



TESTING START RELAY CONTACTS

Two quick ways to test a capacitor are a resistance and a capacitance check.

RESISTANCE CHECK



WARNING

HIGH VOLTAGE!
DISCONNECT ALL POWER BEFORE SERVICING OR INSTALLING. MULTIPLE POWER SOURCES MAY BE PRESENT. FAILURE TO DO SO MAY CAUSE PROPERTY DAMAGE, PERSONAL INJURY OR DEATH.

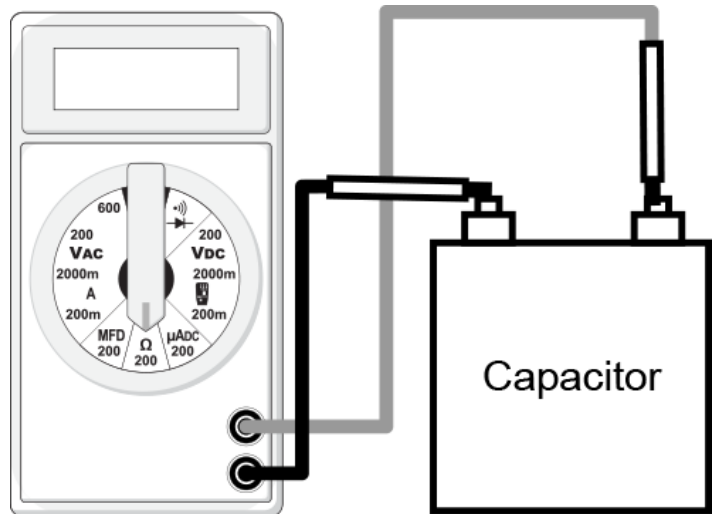


1. Discharge capacitor and remove wire leads.



WARNING

DISCHARGE CAPACITOR THROUGH A 20 TO 30 OHM RESISTOR BEFORE HANDLING.



TESTING CAPACITOR RESISTANCE

2. Set an ohmmeter on its highest ohm scale and connect the leads to the capacitor -
 - A. Good Condition - indicator swings to zero and slowly returns to infinity (Start capacitor with bleed resistor will not return to infinity. It will still read the resistance of the resistor).
 - B. Shorted - indicator swings to zero and stops there -replace.
 - C. Open - no reading - replace (Start capacitor would read resistor resistance).

CAPACITANCE CHECK (MFD)



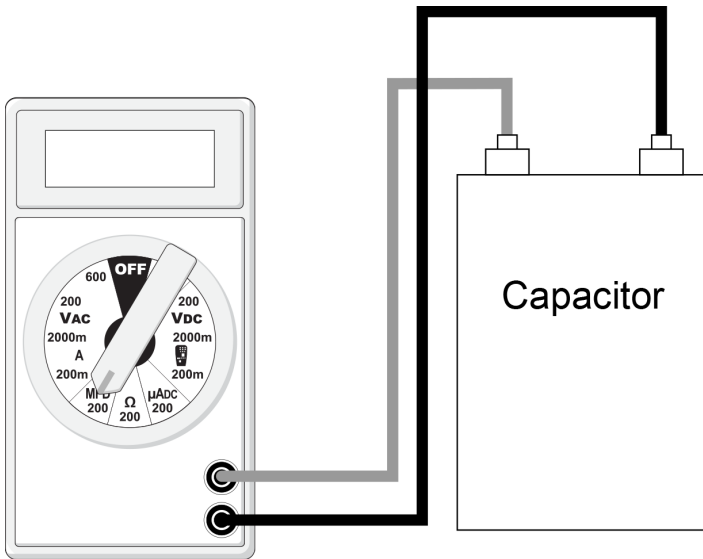
WARNING

DISCHARGE CAPACITOR THROUGH A 20 TO 30 OHM RESISTOR BEFORE HANDLING.

1. Turn power off to unit.
2. Discharge capacitor through a 20Ω - 30Ω resistor.
3. Remove wires from capacitor.
4. Use multi-meter check micro-farads (MFD) of the capacitor.

SERVICING

5. Place leads from C – HERM
6. Place leads from C – FAN
7. Compare to capacitor rating label.
If the reading is within the tolerance listed on rating label the capacitor is good.
If the reading is lower, the capacitor is bad and must be replaced.



TESTING CAPACITANCE (MFD)

CHECKING FAN AND BLOWER MOTOR WINDINGS (Psc MOTORS)

The auto reset fan motor overload is designed to protect the motor against high temperature and high amperage conditions by breaking the common circuit within the motor, similar to the compressor internal overload. However, heat generated within the motor is faster to dissipate than the compressor, allow at least 45 minutes for the overload to reset, then retest.

WARNING

HIGH VOLTAGE!
DISCONNECT ALL POWER BEFORE SERVICING OR INSTALLING. MULTIPLE POWER SOURCES MAY BE PRESENT. FAILURE TO DO SO MAY CAUSE PROPERTY DAMAGE, PERSONAL INJURY OR DEATH.

1. Remove the motor leads from its respective connection points and capacitor (if applicable).
2. Check the continuity between each of the motor leads.
3. Touch one probe of the ohmmeter to the motor frame (ground) and the other probe in turn to each lead.

If the windings do not test continuous or a reading is obtained from lead to ground, replace the motor.

CHECKING EEM MOTORS

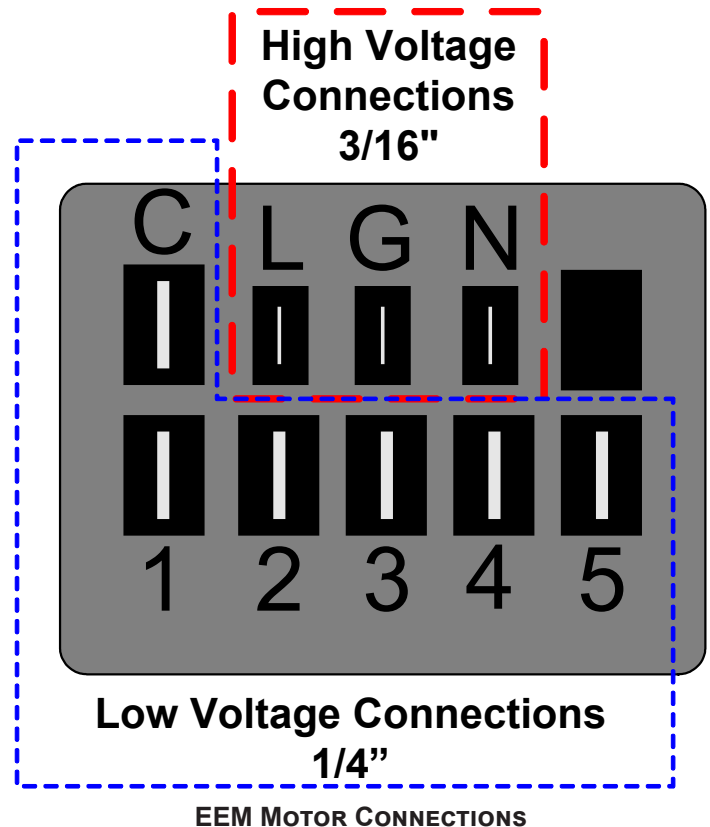
APPLIES ONLY TO UNITS WITH EEM MOTORS

The EEM motor is a one piece, fully encapsulated, 3 phase brushless DC (single phase AC input) motor with ball bearing construction. The EEM motor features an integral control module.

NOTE: The GE TECMate will not currently operate the EEM motor.

1. Using a voltmeter, check for 230 volts to the motor connections L and N. If 230 volts is present, proceed to step 2. If 230 volts is not present, check the line voltage circuit to the motor.
2. Using a voltmeter, check for 24 volts from terminal C to either terminal 1, 2, 3, 4, or 5, depending on which tap is being used, at the motor. If voltage present, proceed to step 3. If no voltage, check 24 volt circuit to motor.
3. If voltage was present in steps 1 and 2, the motor has failed and will need to be replaced.

NOTE: When replacing motor, ensure the belly band is between the vents on the motor and the wiring has the proper drip loop to prevent condensate from entering the motor.

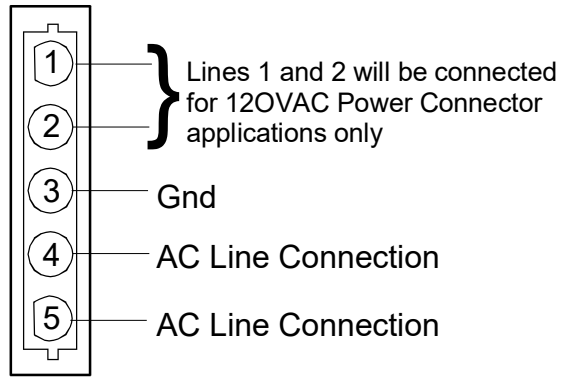


EEM MOTOR CONNECTIONS

SERVICING

CHECKING ECM MOTORS

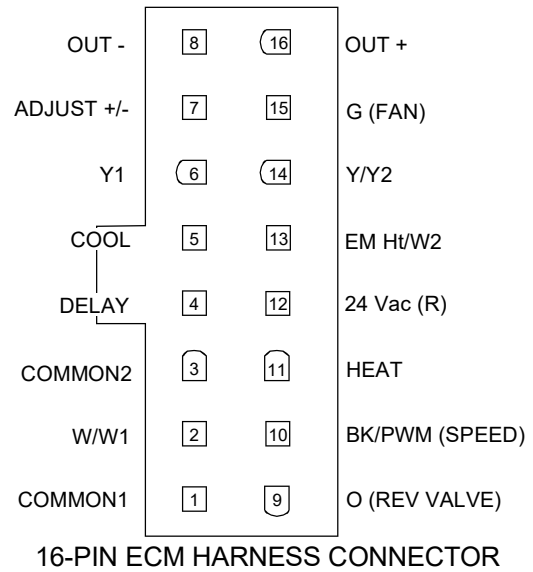
An ECM is an *Electronically Commutated Motor* which offers many significant advantages over PSC motors. The ECM has near zero rotor loss, synchronous machine operation, variable speed, low noise, and programmable air flow. Because of the sophisticated electronics within the ECM motor, some technicians are intimidated by the ECM motor; however, these fears are unfounded. GE/Regal Beloit offers two ECM motor testers, and with a VOM meter, one can easily perform basic troubleshooting on ECM motors. An ECM motor requires power (line voltage) and a signal (24 volts) to operate. The ECM motor stator contains permanent magnet. As a result, the shaft feels “rough” when turned by hand. This is a characteristic of the motor, not an indication of defective bearings.



WARNING

LINE VOLTAGE NOW PRESENT.

1. Disconnect the 5-pin connector from the motor.
2. Using a volt meter, check for line voltage at terminals #4 & #5 at the power connector. If no voltage is present:
3. Check the unit for incoming power.
4. Check the control board.
5. If line voltage is present, reinsert the 5-pin connector and remove the 16-pin connector.
6. Check for signal (24 volts) at the transformer.
7. Check for signal (24 volts) from the thermostat to the “G” terminal at the 16-pin connector.
8. Using an ohmmeter, check for continuity from the #1 & #3 (common pins) to the transformer neutral or “C” thermostat terminal. If you do not have continuity, the motor may function erratically. Trace the common circuits, locate and repair the open neutral.
9. Set the thermostat to “Fan-On”. Using a voltmeter, check for 24 volts between pin # 15 (G) and common.
10. Disconnect power to compressor. Set thermostat to call for cooling. Using a voltmeter, check for 24 volts at pin # 6 and or #14.
11. Set the thermostat to a call for heating. Using a voltmeter, check for 24 volts at pin #2 and/or #11.



If you do not read voltage and continuity as described, the problem is in the control or interface board, but not the motor. If you register voltage as described, the ECM power head is defective and must be replaced.

CHECKING ECM MOTOR WINDINGS

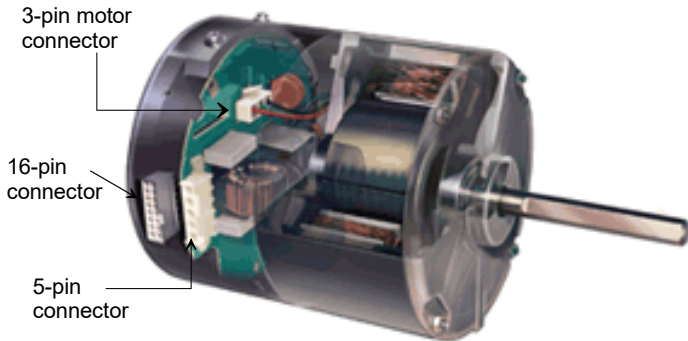
WARNING

HIGH VOLTAGE!
DISCONNECT ALL POWER BEFORE SERVICING OR INSTALLING. MULTIPLE POWER SOURCES MAY BE PRESENT. FAILURE TO DO SO MAY CAUSE PROPERTY DAMAGE, PERSONAL INJURY OR DEATH.

1. Disconnect the 5-pin and the 16-pin connectors from the ECM power head.
2. Remove the 2 screws securing the ECM power head and separate it from the motor.
3. Disconnect the 3-pin motor connector from the power head and lay it aside.
4. Using an ohmmeter, check the motor windings for continuity to ground (pins to motor shell). If the ohmmeter indicates continuity to ground, the motor is defective and must be replaced.

SERVICING

- Using an ohmmeter, check the windings for continuity (pin to pin). If no continuity is indicated, the thermal limit (over load) device may be open. Allow motor to cool and retest.



CHECKING COMPRESSOR



WARNING

HERMETIC COMPRESSOR ELECTRICAL TERMINAL VENTING CAN BE DANGEROUS. WHEN INSULATING MATERIAL WHICH SUPPORTS A HERMETIC COMPRESSOR OR ELECTRICAL TERMINAL SUDDENLY DISINTEGRATES DUE TO PHYSICAL ABUSE OR AS A RESULT OF AN ELECTRICAL SHORT BETWEEN THE TERMINAL AND THE COMPRESSOR HOUSING, THE TERMINAL MAY BE EXPELLED, VENTING THE VAPOR AND LIQUID CONTENTS OF THE COMPRESSOR HOUSING AND SYSTEM.

If the compressor terminal PROTECTIVE COVER and gasket (if required) are not properly in place and secured, there is a remote possibility if a terminal vents, that the vaporous and liquid discharge can be ignited, spouting flames several feet, causing potentially severe or fatal injury to anyone in its path.

This discharge can be ignited external to the compressor if the terminal cover is not properly in place and if the discharge impinges on a sufficient heat source. Ignition of the discharge can also occur at the venting terminal or inside the compressor, if there is sufficient contaminant air present in the system and an electrical arc occurs as the terminal vents.

Ignition cannot occur at the venting terminal without the presence of contaminant air, and cannot occur externally from the venting terminal without the presence of an external ignition source.

Therefore, proper evacuation of a hermetic system is essential at the time of manufacture and during servicing.

To reduce the possibility of external ignition, all open flame, electrical power, and other heat sources should be extinguished or turned off prior to servicing a system.

RESISTANCE TEST

Each compressor is equipped with an internal overload.

The line break internal overload senses both motor amperage and winding temperature. High motor temperature or amperage heats the disc causing it to open, breaking the common circuit within the compressor on single phase units.

Heat generated within the compressor shell, usually due to recycling of the motor, high amperage or insufficient gas to cool the motor, is slow to dissipate. Allow at least three to four hours for it to cool and reset, then retest.



WARNING

HIGH VOLTAGE!
DISCONNECT ALL POWER BEFORE SERVICING OR INSTALLING. MULTIPLE POWER SOURCES MAY BE PRESENT. FAILURE TO DO SO MAY CAUSE PROPERTY DAMAGE, PERSONAL INJURY OR DEATH.



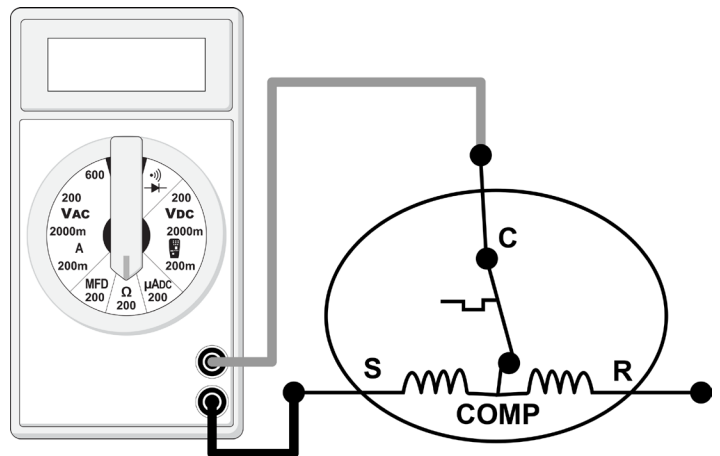
- Remove the leads from the compressor terminals.



WARNING

SEE WARNINGS BEFORE REMOVING COMPRESSOR TERMINAL COVER.

- Using an ohmmeter, test continuity between terminals S-R, C-R, and C-S, on single phase units or terminals T1, T2.



TESTING COMPRESSOR WINDINGS

If either winding does not test continuous, replace the compressor.

NOTE: If an open compressor is indicated, allow ample time for the internal overload to reset before replacing compressor.

SERVICING

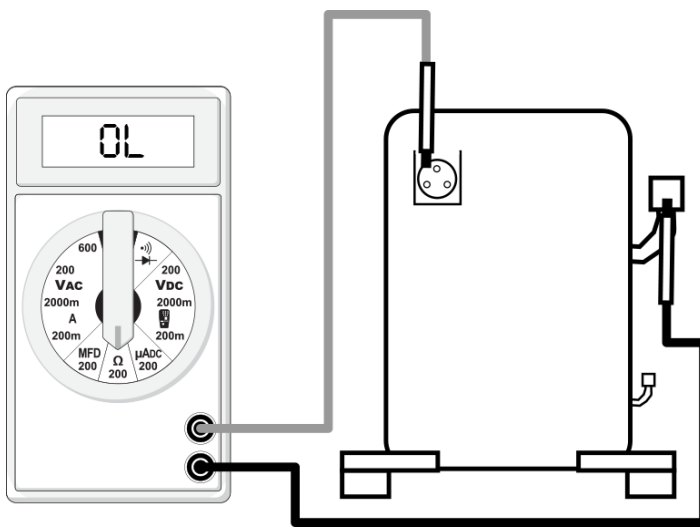
GROUND TEST

If fuse, circuit breaker, ground fault protective device, etc. has tripped, this is a strong indication that an electrical problem exists and must be found and corrected. The circuit protective device rating must be checked and its maximum rating should coincide with that marked on the equipment nameplate.

With the terminal protective cover in place, it is acceptable to replace the fuse or reset the circuit breaker **ONE TIME ONLY** to see if it was just a nuisance opening. If it opens again, **DO NOT** continue to reset.

Disconnect all power to unit, making sure that all power legs are open.

1. Carefully remove the compressor terminal protective cover and inspect for loose leads or insulation breaks in the lead wires.
2. Disconnect the three leads going to the compressor terminals at the compressor or nearest point to the compressor.
3. Check for a ground separately between each of the three terminals and ground (such as an unpainted tube on the compressor). If there is any reading of continuity to ground on the meter, the compressor should be considered defective.
4. If ground is indicated, replace the compressor.



COMPRESSOR GROUND TEST

UNLOADER TEST PROCEDURE (2 STAGE COMPRESSORS ONLY)

A nominal 24-volt direct current coil activates the compressor internal unloader solenoid. The input control circuit voltage must be 18 to 28 volt ac. The external electrical connection is made with a molded plug assembly. This plug contains a full wave rectifier to supply direct current to the unloader coil. The measured DC voltage at the connectors in the plug should be 15 to 27 volt dc.

UNLOADER TEST PROCEDURE



If it is suspected that the unloader is not working, the following methods may be used to verify operation.

1. Operate the system and measure compressor amperage. Cycle the unloader ON and OFF at 10 second intervals. The compressor amperage should increase when switching from part-load to full-load and decrease when switching from full-load to part-load. The percent change depends on the operating conditions and voltage, but should be at least 25 percent.
2. If step one does not give the expected results, shut unit off. Apply 18 to 28 volt ac to the unloader molded plug leads and listen for a click as the solenoid pulls in. Remove power and listen for another click as the unloader returns to its original position.
3. If clicks can't be heard, shut off power to the unit and remove the control circuit molded plug from the compressor and measure the unloader coil resistance (connections on the compressor). The solenoid coil should have continuity and not be grounded or have infinite resistance. If the coil resistance is infinite, zero, or grounded, the compressor must be replaced.
4. Next check the molded plug.
 - A. Voltage check: Apply control voltage to the plug wires (18 to 28 volt ac). The measured dc voltage at the female connectors in the plug should be around 15 to 27 vdc.
 - B. Resistance check: Measure the resistance from the end of one molded plug lead to either of the two female connectors in the plug. One of the connectors should read close to zero ohms while the other should read infinity. Repeat with other wire. The same female connector as before should read zero while the other connector again reads infinity. Reverse polarity on the ohmmeter leads and repeat. The female connector that read infinity previously should now read close to zero ohms.
 - C. Replace plug if either of these test methods doesn't show the desired results.

SERVICING

OPERATION TEST

If the voltage, capacitor, overload and motor winding test fail to show the cause for failure:

| | |
|---|---|
|  WARNING | |
| HIGH VOLTAGE! DISCONNECT ALL POWER BEFORE SERVICING OR INSTALLING. MULTIPLE POWER SOURCES MAY BE PRESENT. FAILURE TO DO SO MAY CAUSE PROPERTY DAMAGE, PERSONAL INJURY OR DEATH. |  |

1. Remove unit wiring from disconnect switch and wire a test cord to the disconnect switch.

NOTE: The wire size of the test cord must equal the line wire size and the fuse must be of the proper size and type.

2. With the protective terminal cover in place, use the three leads to the compressor terminals that were disconnected at the nearest point to the compressor and connect the common, start and run clips to the respective leads.
3. Connect good capacitors of the right MFD and voltage rating into the circuit as shown.
4. With power ON, close the switch.

| |
|--|
|  WARNING |
| LINE VOLTAGE NOW PRESENT. |

- A. If the compressor starts and continues to run, the cause for failure is somewhere else in the system.
- B. If the compressor fails to start - replace.

The condition of the scroll flanks is checked in the following manner:

1. Attach gauges to the high and low side of the system.
2. Start the system and run a "Cooling Performance Test."

If the test shows:

- A. Below normal high side pressure.
- B. Above normal low side pressure.
- C. Low temperature difference across coil.
- D. Low amp draw at compressor.

and the charge is correct, test the reversing valve if equipped (heat pump models only). If the reversing valves test good, the compressor is faulty - replace the compressor.

LOCKED ROTOR TEST

If fuse, circuit breaker, ground fault protective device, etc. has tripped, this is a strong indication that an electrical problem exists and must be found and corrected. The circuit protective device rating must be checked and its maximum rating should coincide with that marked on the equipment nameplate.

Before checking for locked rotor, the compressor terminals should be checked for open windings (see Resistance Test) and the run capacitor and start capacitor (if used) should be checked thoroughly (see Checking Capacitor).

With power ON:

| |
|--|
|  WARNING |
| LINE VOLTAGE NOW PRESENT. |

1. Check the serial data plate for the compressor locked rotor amps (LRA) rating.
2. Using an ammeter, measure the amperage reading for the run and common wires to the compressor. Since the compressor motor overload will likely trip soon after drawing locked rotor amps, this measurement should be taken as soon as the compressor starts.
3. If the amperage reading roughly equals the compressor LRA rating and all other checks have been completed, locked rotor amps has been verified.

TESTING CRANKCASE HEATER (OPTIONAL ITEM)

NOTE: Not all compressors use crankcase heaters.

The crankcase heater must be energized a minimum of four (4) hours before the condensing unit is operated.

Crankcase heaters are used to prevent migration or accumulation of refrigerant in the compressor crankcase during the off cycles and prevents liquid slugging or oil pumping on start up.

A crankcase heater will not prevent compressor damage due to a floodback or over charge condition.

| |
|--|
|  WARNING |
| DISCONNECT POWER SUPPLY BEFORE SERVICING. |

1. Disconnect the heater lead in wires.
2. Using an ohmmeter, check heater continuity - should test continuous. If not, replace.

SERVICING

CHECKING CRANKCASE HEATER THERMOSTAT

NOTE: Not all models with crankcase heaters will have a crankcase heater thermostat.

1. Install a thermocouple type temperature test lead on the discharge line adjacent to the crankcase heater thermostat.
2. Check the temperature at which the control closes its contacts by lowering the temperature of the control. The crankcase heater thermostat should close at $67^{\circ}\text{F} \pm 5^{\circ}\text{F}$.
3. Check the temperature at which the control opens its contacts by raising the temperature of the control. The crankcase heater thermostat should open at $85^{\circ}\text{F} \pm 5^{\circ}\text{F}$.
4. If not as above, replace control.

REVERSING VALVE TROUBLESHOOTING

CHECKING REVERSING VALVE AND SOLENOID

Reversing valve used in heat pumps could potentially leak internally. Discharge gases can leak into the suction inside the valve. Compound gages will give the same symptoms as bad compressor valves or broken scroll flanks. The temperature between true suction and the suction line after the valve should not be greater than 4 degrees.

NOTE: The center tube is always the suction line and should be cold.

TROUBLESHOOTING THE REVERSING VALVE FOR ELECTRICAL FAILURE

1. Place unit into the cooling mode. Test for 24 volts at the solenoid. If there is no voltage present at coil, check the control voltage.
2. If voltage is present, loosen the nut on the top of the coil. Remove the coil, there should be slight resistance.
3. If the slight resistance is felt, remove the coil. As you remove the coil listen carefully, an audible click should be detected. The clicking is due to the movement of the pilot valve plunger. The absence of a clicking sound indicates the plunger is stuck.

TROUBLESHOOTING MECHANICAL FAILURES ON A REVERSING VALVE BY PRESSURE

1. Troubleshooting the reversing valve can be done by pressure and touch.
2. Raise the head pressure. In the cooling mode block the fan exhaust. Once head pressure has been raised, cycle between cooling and heating and see if the piston can be freed.

TROUBLE SHOOTING MECHANICAL FAILURES ON A REVERSING VALVE BY TEMPERATURE

1. When operating properly the valve contains refrigerant gases at certain temperatures.
2. The discharge line should be the same temperature after the valves discharge line.
3. The true suction should be the same as the suction line after the valve. If there is a 4-degree difference, valve is leaking

When stuck in the mid-position, part of the discharge gas from the compressor is directed back to the suction side, resulting in excessively high suction pressure. An increase in the suction line temperature through the reversing valve can also be measured. Check operation of the valve by starting the system and switching the operation from COOLING to HEATING cycle.

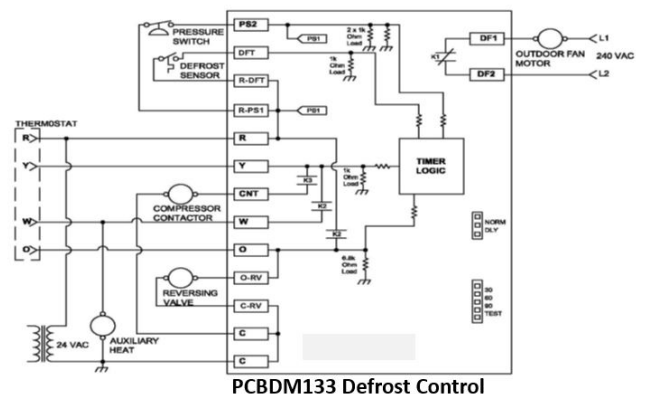
If the valve fails to change its position, test the voltage (24V) at the valve coil terminals, while the system is on the COOLING cycle.

If voltage is registered at the coil, tap the valve body lightly while switching the system from HEATING to COOLING, etc. If this fails to cause the valve to switch positions, remove the coil connector cap and test the continuity of the reversing valve solenoid coil. If the coil does not test continuous - replace it. If the coil test continuous and 24 volts is present at the coil terminals, the valve is inoperative - replace it.

TESTING DEFROST CONTROL

NOTE: PCBDM133 defrost controls have a three (3) minute compressor off cycle delay.

NOTE: The PCBDM133 defrost controls are shipped from the factory with the compressor delay option selected. This will de-energize the compressor contactor for 30 seconds on defrost initiation and defrost termination. If the jumper is set to Normal, the compressor will continue to run during defrost initiation and defrost termination. The control will also ignore the low pressure switch connected to R-PS1 and PS2 for 5 minutes upon defrost initiation and 5 minutes after defrost termination.



SERVICING

To check the defrost control for proper sequencing, proceed as follows: With power ON; unit not running.

1. Jumper defrost thermostat by placing a jumper wire across the terminals "DFT" and "R"/"R-DFT" at defrost control board.
2. Remove jumper from timer pins and jump across test pins on defrost control board. **NOTE: Do not use screwdriver or field supplied jumper to test the control.**
3. Set thermostat to call for heating. System should go into defrost within 21 seconds.
4. Immediately remove jumper from test pins.
5. Using VOM check for voltage across terminals "C & O". Meter should read 24 volts.
6. Using VOM check for voltage across fan terminals DF1 and DF2 on the board. You should read line voltage (208-230 VAC) indicating the relay is open in the defrost mode
7. Using VOM check for voltage across "W"/"W2" & "C" terminals on the board. You should read 24 volts.
8. If not as above, replace control board.
9. Set thermostat to off position and disconnect power. Remove jumper from defrost thermostat and replace timer jumper to the desired defrost time.

NOTE: Remove jumper across defrost thermostat before returning system to service.

TESTING DEFROST THERMOSTAT

1. Install a thermocouple type temperature test lead on the tube adjacent to the defrost control. Insulate the lead point of contact.
2. Check the temperature at which the control closes its contacts by lowering the temperature of the control. It should close at approximately 30°F.
3. Check the temperature at which the control opens its contacts by raising the temperature of the control. It should open at approximately 60°F.
4. If not as above, replace control.

CHECKING HEATER LIMIT CONTROL(S) (OPTIONAL ELECTRIC HEATERS)

Each individual heater element is protected with an automatic reset limit control connected in series with each element to prevent overheating of components in case of low airflow. This limit control will open its circuit at approximately 150°F. to 160°F and close at approximately 110°F.



| |
|--|
|  WARNING |
| DISCONNECT ELECTRICAL POWER SUPPLY. |

1. Remove the wiring from the control terminals.
2. Using an ohmmeter test for continuity across the normally closed contacts. No reading indicates the control is open - replace if necessary. Make sure the limits are cool before testing.

If Found Open - Replace - Do Not Wire Around.

CHECKING HEATER ELEMENTS

Optional electric heaters may be added, in the quantities shown in the spec sheet for each model unit, to provide electric resistance heating. Under no condition shall more heaters than the quantity shown be installed.

| | |
|--|---|
|  WARNING | |
| HIGH VOLTAGE! DISCONNECT ALL POWER BEFORE SERVICING OR INSTALLING. MULTIPLE POWER SOURCES MAY BE PRESENT. FAILURE TO DO SO MAY CAUSE PROPERTY DAMAGE, PERSONAL INJURY OR DEATH. |  |

1. Disassemble and remove the heating element(s).
2. Visually inspect the heater assembly for any breaks in the wire or broken insulators.
3. Using an ohmmeter, test the element for continuity - no reading indicates the element is open. Replace as necessary.

REFRIGERATION REPAIR PRACTICE

| |
|---|
|  DANGER |
| ALWAYS REMOVE THE REFRIGERANT CHARGE IN A PROPER MANNER BEFORE APPLYING HEAT TO THE SYSTEM. |

These models use the FasTest Access Fitting System, with a saddle that is either soldered to the suction and liquid lines or is fastened with a locking nut to the access fitting box (core) and then screwed into the saddle. **Do not remove the core from the saddle until the refrigerant charge has been removed. Failure to do so could result in property damage or personal injury.**

When installing a new core or reinstalling the core after removal, it is very important to note that before inserting the core into the saddle, the core and saddle must be free of debris and the "O" Ring **must** have a thin coating of refrigerant oil applied to it. The oil is to prevent the "O" Ring from being deformed when the core is tightened completely. The core should be torqued to 8 ft. lb.

When repairing the refrigeration system:

| |
|--|
|  WARNING |
| DISCONNECT POWER SUPPLY BEFORE SERVICING. |

SERVICING

1. Never open a system that is under vacuum. Air and moisture will be drawn in.
2. Plug or cap all openings.
3. Remove all burrs and clean the brazing surfaces of the tubing with sand cloth or paper. Brazing materials do not flow well on oxidized or oily surfaces.
4. Clean the inside of all new tubing to remove oils and pipe chips.
5. When brazing, sweep the tubing with dry nitrogen to prevent the formation of oxides on the inside surfaces.
6. Complete any repair by replacing the liquid line drier in the system, evacuate and charge.

At any time the system has been open for repair, the factory installed liquid line filter drier **must** be replaced.


BRAZING MATERIALS

Copper to Copper Joints - Sil-Fos used without flux (alloy of 15% silver, 80% copper, and 5% phosphorous). Recommended heat 1400°F.

Copper to Steel Joints - Silver Solder used without a flux (alloy of 30% silver, 38% copper, 32% zinc). Recommended heat - 1200°F.

STANDING PRESSURE TEST (RECOMMENDED BEFORE SYSTEM EVACUATION)


| |
|---|
|  WARNING |
| TO AVOID THE RISK OF FIRE OR EXPLOSION, NEVER USE OXYGEN, HIGH PRESSURE AIR OR FLAMMABLE GASES FOR LEAK TESTING OF A REFRIGERATION SYSTEM. |

| |
|--|
|  WARNING |
| TO AVOID POSSIBLE EXPLOSION, THE LINE FROM THE NITROGEN CYLINDER MUST INCLUDE A PRESSURE REGULATOR AND A PRESSURE RELIEF VALVE. THE PRESSURE RELIEF VALVE MUST BE SET TO OPEN AT NO MORE THAN 450 PSIG. |

Using dry nitrogen, pressurize the system to 450 PSIG. Allow the pressure to stabilize and hold for 15 minutes (minimum). If the pressure does not drop below 450 PSIG, the system is considered leak free. Proceed to system evacuation using the Deep Vacuum method. If after 15 minutes the pressure drops below 450 PSIG, follow the procedure outlined below to identify system leaks. Repeat the Standing Pressure Test.

LEAK TESTING (NITROGEN OR NITROGEN-TRACED)

| |
|---|
|  WARNING |
| TO AVOID THE RISK OF FIRE OR EXPLOSION, NEVER USE OXYGEN, HIGH PRESSURE AIR OR FLAMMABLE GASES FOR LEAK TESTING OF A REFRIGERATION SYSTEM. |

| |
|--|
|  WARNING |
| TO AVOID POSSIBLE EXPLOSION, THE LINE FROM THE NITROGEN CYLINDER MUST INCLUDE A PRESSURE REGULATOR AND A PRESSURE RELIEF VALVE. THE PRESSURE RELIEF VALVE MUST BE SET TO OPEN AT NO MORE THAN 450 PSIG. |

Leak test the system using dry nitrogen and soapy water to identify leaks. If you prefer to use an electronic leak detector, charge the system to 10 PSIG with the appropriate system refrigerant (See Serial Data Plate for refrigerant identification). Do not use an alternative refrigerant. Using dry nitrogen, finish charging the system to 450 PSIG.


Apply the leak detector to all suspect areas. When leaks are discovered, repair the leaks, and repeat the pressure test. If leaks have been eliminated, proceed to the system evacuation.

SYSTEM EVACUATION

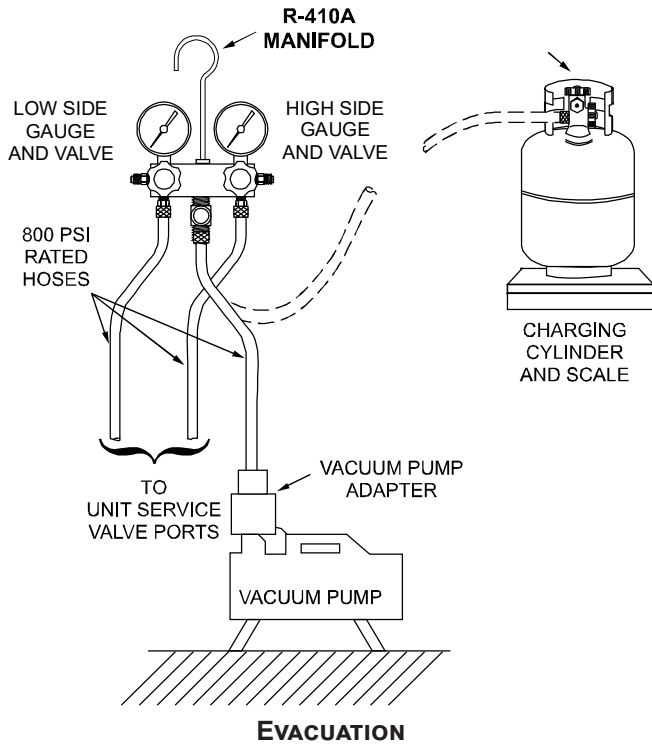
Condensing unit liquid and suction valves are closed to contain the charge within the unit. The unit is shipped with valve stems closed and caps installed. Do not open valves until the system is evacuated.

| |
|---|
|  WARNING |
| REFRIGERANT UNDER PRESSURE! FAILURE TO FOLLOW PROPER PROCEDURES MAY CAUSE PROPERTY DAMAGE, PERSONAL INJURY OR DEATH. |

NOTE: Scroll compressors should never be used to evacuate or pump down a heat pump or air conditioning system.

| |
|--|
|  CAUTION |
| PROLONGED OPERATION AT SUCTION PRESSURES LESS THAN 20 PSIG FOR MORE THAN 5 SECONDS WILL RESULT IN OVERHEATING OF THE SCROLLS AND PERMANENT DAMAGE TO THE SCROLL TIPS, DRIVE BEARINGS AND INTERNAL SEAL. |

SERVICING

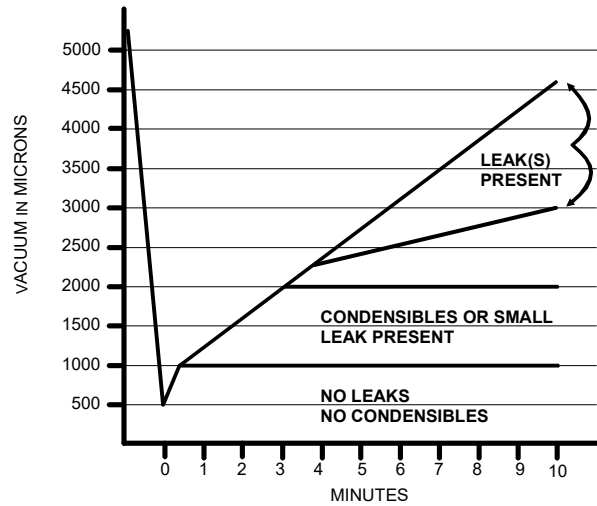


DEEP VACUUM METHOD (RECOMMENDED)

The Deep Vacuum Method requires a vacuum pump rated 500 microns or less. This method is an effective and efficient way of assuring the system is free on non-condensable air and moisture. As an alternative, the Triple Evacuation Method is detailed in the Service Manual for this product model.

It is recommended used to remove the Schrader Cores from the service valves using a core-removal tool to expedite the evacuation procedure.

1. Connect the vacuum pump, micron gauge, and vacuum rated hose to both service valves. Evacuation must use both service valves to eliminate system mechanical seals.
2. Evacuate the system to less than 500 microns.
3. Isolate the pump from the system and hold vacuum for 10 minutes (minimum). Typically, pressure will rise slowly during this period. If the pressure rises to less than 1000 microns and remains steady, the system is considered leak-free; proceed to system charging and startup.
4. If pressure rises above 1000 microns but holds steady below 2000 microns, non-condensable air or moisture may remain or a small leak is present. Return to step 2: If the same result is achieved, check for leaks and repair. Repeat the evacuation procedure.



TRIPLE EVACUATION METHOD (ALTERNATE)

1. Evacuate the system to 4000 microns and hold for 15 minutes. Break the vacuum with dry nitrogen, bring the system pressure to 2-3 PSIG, and hold for 20 minutes. Release the nitrogen.
2. Evacuate to 1500 microns and hold for 20 minutes. Break the vacuum with dry nitrogen again, bring the system pressure back to 2-3 PSIG, and hold for 20 minutes.
3. Evacuate the system to 500 microns and hold for 60 minutes.
4. If the pressure rises to 1000 microns or less and remains steady the system is considered leak free; proceed to start-up.

CHARGING



WARNING

REFRIGERANT UNDER PRESSURE!

- DO NOT OVERCHARGE SYSTEM WITH REFRIGERANT.
- DO NOT OPERATE UNIT IN A VACUUM OR AT NEGATIVE PRESSURE.

FAILURE TO FOLLOW PROPER PROCEDURES MAY CAUSE PROPERTY DAMAGE, PERSONAL INJURY OR DEATH.



CAUTION

ONLY USE REFRIGERANT CERTIFIED TO AHRI STANDARDS. USED REFRIGERANT MAY CAUSE COMPRESSOR DAMAGE. THE MANUFACTURER IS NOT RESPONSIBLE FOR DAMAGE OR THE NEED FOR REPAIRS RESULTING FROM THE USE OF UNAPPROVED REFRIGERANT TYPES OR USED OR RECYCLED REFRIGERANT. MOST PORTABLE MACHINES CANNOT CLEAN USED REFRIGERANT TO MEET AHRI STANDARDS.

Charge the system with the exact amount of refrigerant.

See the unit nameplate for the correct refrigerant charge amount.

An inaccurately charged system will cause future problems.

SERVICING

1. Using charging scale, weigh in the refrigerant charge amount listed on unit nameplate. Allow liquid refrigerant only to enter the high side.
2. After the system will take all it will take, close the valve on the high side of the charging manifold.
3. Start the system and charge the balance of the refrigerant through the low side.

NOTE: R410A should be drawn out of the storage container or drum in liquid form due to its fractionation properties, but should be “Flashed” to its gas state before entering the system. There are commercially available restriction devices that fit into the system charging hose set to accomplish this. DO NOT charge liquid R410A into the compressor.

4. With the system still running, close the valve on the charging cylinder. At this time, you may still have some liquid refrigerant in the charging cylinder hose and will definitely have liquid in the liquid hose. Slowly open the high side manifold valve and transfer the liquid refrigerant from the liquid line hose and charging cylinder hose into the suction service valve port. CAREFUL: Watch so that liquid refrigerant does not enter the compressor.

NOTE: Even though the compressor section of a Scroll compressor is more tolerant of liquid refrigerant, continued floodback or flooded start conditions may wash oil from the bearing surfaces causing premature bearing failure.

CHECKING COMPRESSOR EFFICIENCY

The reason for compressor inefficiency is broken or damaged suction and/or discharge valves, or scroll flanks on Scroll compressors, reducing the ability of the compressor to pump refrigerant vapor.

The condition of the valves or scroll flanks is checked in the following manner:

1. Attach gauges to the high and low side of the system.
2. Start the system and run a Cooling Performance Test.

If the test shows:

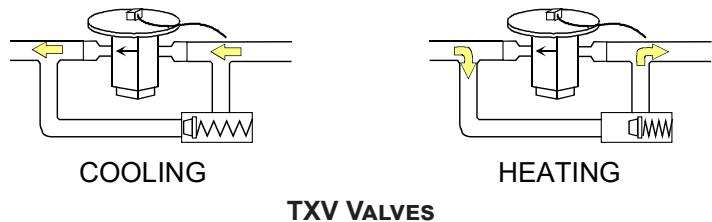
- A. Below normal high side pressure.
- B. Above normal low side pressure.
- C. Low temperature difference across coil.
- D. Low amp draw at compressor.

– and the charge is correct. The compressor is faulty - replace the compressor.

THERMOSTATIC EXPANSION VALVE

The expansion valve is designed to control the rate of liquid refrigerant flow into an evaporator coil in exact proportion to the rate of evaporation of the refrigerant in the coil. The amount of refrigerant entering the coil is regulated since the valve responds to temperature of the refrigerant gas leaving the coil (feeler bulb contact) and the pressure of the refrigerant in the coil. This regulation of the flow prevents the return of liquid refrigerant to the compressor.

The illustration below shows typical heat pump TXV/check valve operation in the heating and cooling modes.



TXV VALVES

Some TXV valves contain an internal check valve thus eliminating the need for an external check valve and bypass loop. The three forces which govern the operation of the valve are: (1) the pressure created in the power assembly by the feeler bulb, (2) evaporator pressure, and (3) the equivalent pressure of the superheat spring in the valve.

0% bleed type expansion valves are used on indoor and outdoor coils. The 0% bleed valve will not allow the system pressures (High and Low side) to equalize during the shut down period. The valve will shut off completely at approximately 100 PSIG.

30% bleed valves used on some other models will continue to allow some equalization even though the valve has shut-off completely because of the bleed holes within the valve. This type of valve should not be used as a replacement for a 0% bleed valve, due to the resulting drop in performance.

The bulb must be securely fastened with two straps to a clean straight section of the suction line. Application of the bulb to a horizontal run of line is preferred. If a vertical installation cannot be avoided, the bulb must be mounted so that the capillary tubing comes out at the top.

OVERFEEDING

Overfeeding by the expansion valve results in high suction pressure, cold suction line, and possible liquid slugging of the compressor.

If these symptoms are observed:

1. Check for an overcharged unit by referring to the cooling performance charts in the servicing section.
2. Check the operation of the power element in the valve as explained in Checking Expansion Valve Operation.
3. Check for restricted or plugged equalizer tube.

SERVICING

UNDERFEEDING

Underfeeding by the expansion valve results in low system capacity and low suction pressures.

If these symptoms are observed:

1. Check for a restricted liquid line or drier. A restriction will be indicated by a temperature drop across the drier.
2. Check the operation of the power element of the valve as described in Checking Expansion Valve Operation.



CAUTION

TO PREVENT PERSONAL INJURY, CAREFULLY CONNECT AND DISCONNECT MANIFOLD GAUGE HOSES. ESCAPING LIQUID REFRIGERANT CAN CAUSE BURNS. DO NOT VENT REFRIGERANT TO ATMOSPHERE. RECOVER DURING SYSTEM REPAIR OR FINAL UNIT DISPOSAL.

CHECKING EXPANSION VALVE OPERATION

1. Remove the remote bulb of the expansion valve from the suction line.
2. Start the system and cool the bulb in a container of ice water, closing the valve. As you cool the bulb, the suction pressure should fall and the suction temperature will rise.
3. Next warm the bulb in your hand. As you warm the bulb, the suction pressure should rise and the suction temperature will fall.
4. If a temperature or pressure change is noticed, the expansion valve is operating. If no change is noticed, the valve is restricted, the power element is faulty, or the equalizer tube is plugged.
5. Capture the charge, replace the valve and drier, evacuate and recharge.

REFRIGERANT CHARGE CHECK

(UNITS WITH FIXED ORIFICE DEVICES)

After completing airflow measurements and adjustments the unit's refrigerant charge must be checked. All package units with fixed orifice devices are charged using the super heat method at the compressor suction line.

SUPERHEAT

Before checking the superheat or replacing the valve, perform all the procedures outlined under Air Flow, Refrigerant Charge, Expansion Valve - Overfeeding, Underfeeding. These are the most common causes for evaporator malfunction.

CHECKING SUPERHEAT

Refrigerant gas is considered superheated when its temperature is higher than the saturation temperature corresponding to its pressure. The degree of superheat equals the degrees of temperature increase above the saturation temperature at existing pressure.

Procedure:

1. Run system at least 15 -20 minutes to allow pressure to stabilize.
2. Install a low side pressure gauge on the suction line access fitting.
3. Temporarily install thermometer on suction (large) line near compressor with adequate contact and insulate for best possible reading.
4. Record the gauge pressure corresponding temperature and the temperature of the suction line.
5. Refer to the superheat table for proper system superheat. Add charge to lower superheat recover charge to raise superheat.

| Ambient Condenser Inlet Temp (°F Drybulb) | Return Air Temp. (°F Drybulb) | | | | |
|---|-------------------------------|----|----|----|----|
| | 65 | 70 | 75 | 80 | 85 |
| 100 | - | - | - | 10 | 10 |
| 95 | - | - | 10 | 10 | 10 |
| 90 | - | - | 12 | 15 | 18 |
| 85 | - | 10 | 13 | 17 | 20 |
| 80 | - | 10 | 15 | 21 | 26 |
| 75 | 10 | 13 | 17 | 25 | 29 |
| 70 | 10 | 17 | 20 | 28 | 32 |
| 65 | 13 | 19 | 26 | 32 | 35 |
| 60 | 17 | 25 | 30 | 33 | 37 |

SUPERHEAT TABLE

EXAMPLE:

- A. Suction Pressure = 143
- B. Corresponding Temp. °F = 50
- C. Thermometer on Suction Line = 59°F

To obtain the degrees temperature of superheat, subtract 50.0 from 59.0°F. The difference is 9° Superheat. The 9° Superheat would fall in the ± range of allowable superheat.

SUPERHEAT = SUCTION LINE TEMP - SAT. SUCTION TEMP.

After superheat is checked, it is recommended to check unit subcooling at the condenser coil liquid line out.

(Units with TXV Devices)

All package units with TXV devices are charged using the SUBCOOLING method at the liquid line. After subcooling is checked it is recommended to check unit superheat at the evaporator coil suction line.

SERVICING

CHECKING SUBCOOLING

Refrigerant liquid is considered subcooled when its temperature is lower than the saturation temperature corresponding to its pressure. The degree of subcooling equals the degrees of temperature decrease below the saturation temperature at the existing pressure.

Procedure:

1. Attach an accurate thermometer or preferably a thermocouple type temperature tester to the liquid line close to the pressure switch.
2. Install a high side pressure gauge on the liquid access fitting.
3. Record the gauge pressure and the temperature of the line.
4. The difference between the thermometer reading and pressure to temperature conversion is the amount of subcooling.

SUBCOOLING FORMULA = SAT. LIQUID TEMP. - LIQUID LINE TEMP.

EXAMPLE:

- A. Liquid Line Pressure = 417
- B. Corresponding Temp. °F = 120°
- C. Thermometer on Liquid line = 109°F.

To obtain the amount of subcooling, subtract 109°F from 120°F.

The difference is 11° subcooling. See the specification sheet or technical information manual for the design subcooling range for your unit.

See *R410A Pressure vs. Temperature chart*.

EXPANSION VALVE (TXV) SYSTEM

Two Speed Application (APHH5)

Run the unit on high stage cooling for 15-20 minutes until refrigerant pressures stabilize. Check charge with unit on high stage.

Follow checking subcooling instructions

NOTE: The TXV provided is designed to meet the specification requirements for optimum product operation. "NO ADJUSTMENTS NEEDED TO TXV".

SUPERHEAT = SUCTION LINE TEMP-SUCTION TEMP

| SATURATED SUCTION PRESSURE TEMPERATURE CHART | |
|--|----------------------------------|
| SUCTION PRESSURE | SATURATED SUCTION TEMPERATURE °F |
| PSIG | R-410A |
| 50 | 1 |
| 52 | 3 |
| 54 | 4 |
| 56 | 6 |
| 58 | 7 |
| 60 | 8 |
| 62 | 10 |
| 64 | 11 |
| 66 | 13 |
| 68 | 14 |
| 70 | 15 |
| 72 | 16 |
| 74 | 17 |
| 76 | 19 |
| 78 | 20 |
| 80 | 21 |
| 85 | 24 |
| 90 | 26 |
| 95 | 29 |
| 100 | 31 |
| 110 | 36 |
| 120 | 41 |
| 130 | 45 |
| 140 | 49 |
| 150 | 53 |
| 160 | 56 |
| 170 | 60 |

SYSTEM CHARGING HEATING MODE

The proper method of charging a heat pump in the heat mode is by weighing the charge according to the total charge listed on the rating plate.

Measure the hot gas discharge at the compressor to ensure proper TXV setting. To ensure optimum system performance in heat mode, the TXV may require adjustment.


1. Allow the system to operate for at least 20 minutes.
2. Attach and insulate an electronic thermometer to the hot gas discharge line mid-way between the compressor and the reversing valve.

NOTE: The thermometer must be well insulated to prevent ambient influences.

SERVICING

3. Allow the compressor to operate for about 10 additional minutes and measure the hot gas discharge temperature.
4. Using an additional electronic thermometer, measure the ambient temperature.

NOTE: The TXV provided is designed to meet the specification requirements for optimum product operation. "NO ADJUSTMENTS NEEDED TO TXV".

| |
|---|
|  CAUTION |
| <p>TO PREVENT PERSONAL INJURY, CAREFULLY CONNECT AND DISCONNECT MANIFOLD GAUGE HOSES. ESCAPING LIQUID REFRIGERANT CAN CAUSE BURNS. DO NOT VENT REFRIGERANT TO ATMOSPHERE. RECOVER DURING SYSTEM REPAIR OR FINAL UNIT DISPOSAL.</p> |

SUBCOOLING = SAT. LIQUID TEMP. - LIQUID LINE TEMP.

| SATURATED LIQUID PRESSURE TEMPERATURE CHART | |
|--|--|
| Liquid Pressure | Saturated Liquid Temperature °F |
| PSIG | R-410A |
| 200 | 70 |
| 210 | 73 |
| 220 | 76 |
| 225 | 78 |
| 235 | 80 |
| 245 | 83 |
| 255 | 85 |
| 265 | 88 |
| 275 | 90 |
| 285 | 92 |
| 295 | 95 |
| 305 | 97 |
| 325 | 101 |
| 355 | 108 |
| 375 | 112 |
| 405 | 118 |

HEAT PUMP - HEATING CYCLE

The proper method of charging a heat pump in the heat mode is by weighing the charge according to the total charge listed on the rating plate.

FIXED ORIFICE RESTRICTION DEVICES

The fixed orifice restriction device (flowrator) used in conjunction with the indoor coil is a predetermined bore (I.D.).

It is designed to control the rate of liquid refrigerant flow into an evaporator coil.

The amount of refrigerant that flows through the fixed orifice restriction device is regulated by the pressure difference between the high and low sides of the system.

In the cooling cycle when the outdoor air temperature rises, the high side condensing pressure rises. At the same time, the cooling load on the indoor coil increases, causing the low side pressure to rise, but at a slower rate.

Since the high side pressure rises faster when the temperature increases, more refrigerant flows to the evaporator, increasing the cooling capacity of the system.

When the outdoor temperature falls, the reverse takes place. The condensing pressure falls, and the cooling loads on the indoor coil decreases, causing less refrigerant flow.

If a restriction should become evident, proceed as follows:

1. Recover refrigerant charge.
2. Remove the orifice assembly and clean or replace.
3. Replace liquid line drier, evacuate and recharge.

CHECKING EQUALIZATION TIME

During the "OFF" cycle, the high side pressure bleeds to the low side through the fixed orifice restriction device.

Check equalization time as follows:

1. Attach a gauge manifold to the suction and liquid line access fittings.
2. Start the system and allow the pressures to stabilize.
3. Stop the system and check the time it takes for the high and low pressure gauge readings to equalize.

If it takes more than seven (7) minutes to equalize, the restriction device is inoperative. Replace, install a liquid line drier, evacuate and recharge.

CHECKING RESTRICTED LIQUID LINE

When the system is operating, the liquid line is warm to the touch. If the liquid line is restricted, a definite temperature drop will be noticed at the point of restriction. In severe cases, frost will form at the restriction and extend down the line in the direction of the flow.

Discharge and suction pressures will be low, giving the appearance of an undercharged unit. However, the unit will have normal to high subcooling.

If a restriction is located, replace the restricted part, replace drier, evacuate and recharge.

REFRIGERANT OVERCHARGE

An overcharge of refrigerant is normally indicated by an excessively high head pressure.

SERVICING

An evaporator coil, using an expansion valve metering device, will basically modulate and control a flooded evaporator and prevent liquid refrigerant return to the compressor.

An evaporator coil, using a fixed orifice restrictor device (flowrator) metering device, could allow liquid refrigerant to return to the compressor under extreme overcharge conditions.

Also with a fixed orifice restrictor device (flowrator) metering device, extreme cases of insufficient indoor air can cause icing of the indoor coil and liquid refrigerant return to the compressor, but the head pressure would be lower.

There are other causes for high head pressure. If other causes check out normal, an overcharge or a system containing non-condensables would be indicated.

If overcharging is indicated:

1. Start the system.
2. Remove and capture small quantities of refrigerant as from the suction line access fitting until the head pressure is reduced to normal.
3. Observe the system while running a cooling performance test. If a shortage of refrigerant is indicated, then the system contains non-condensables.

NON-CONDENSABLES

If non-condensables are suspected, shut down the system and allow the pressures to equalize. Wait at least 15 minutes. Compare the pressure to the temperature of the coldest coil since this is where most of the refrigerant will be. If the pressure indicates a higher temperature than that of the coil temperature, non-condensables are present.

Non-condensables are removed from the system by first removing the refrigerant charge, replacing and/or installing liquid line drier, evacuating and recharging.

COMPRESSOR BURNOUT

When a compressor burns out, high temperature develops causing the refrigerant, oil and motor insulation to decompose forming acids and sludge.

If a compressor is suspected of being burned-out, attach a refrigerant hose to the liquid line dill valve and properly remove and dispose of the refrigerant.



NOTICE

VIOLATION OF EPA REGULATIONS MAY RESULT IN FINES OR OTHER PENALTIES.

Now determine if a burn out has actually occurred. Confirm by analyzing an oil sample using a Sporlan Acid Test Kit, AK-3 or its equivalent.

Remove the compressor and obtain an oil sample from the suction stub. If the oil is not acidic, either a burnout has not occurred or the burnout is so mild that a complete clean-up is not necessary.

If acid level is unacceptable, the system must be cleaned by using the clean-up drier method.



CAUTION

DO NOT ALLOW THE SLUDGE OR OIL TO CONTACT THE SKIN. SEVERE BURNS MAY RESULT.

NOTE: Goodman does NOT approve the flushing method using R-11 refrigerant.

SERVICING

| Pressure vs. Temperature Chart | | | | | | | | | | | | | |
|--------------------------------|-------|-------|------|-------|------|-------|-------|-------|-------|-------|-------|------|----|
| R-410A | | | | | | | | | | | | | |
| PSIG | °F | PSIG | °F | PSIG | °F | PSIG | °F | PSIG | °F | PSIG | °F | PSIG | °F |
| 12 | -37.7 | 114.0 | 37.8 | 216.0 | 74.3 | 318.0 | 100.2 | 420.0 | 120.7 | 522.0 | 137.6 | | |
| 14 | -34.7 | 116.0 | 38.7 | 218.0 | 74.9 | 320.0 | 100.7 | 422.0 | 121.0 | 524.0 | 137.9 | | |
| 16 | -32.0 | 118.0 | 39.5 | 220.0 | 75.5 | 322.0 | 101.1 | 424.0 | 121.4 | 526.0 | 138.3 | | |
| 18 | -29.4 | 120.0 | 40.5 | 222.0 | 76.1 | 324.0 | 101.6 | 426.0 | 121.7 | 528.0 | 138.6 | | |
| 20 | -36.9 | 122.0 | 41.3 | 224.0 | 76.7 | 326.0 | 102.0 | 428.0 | 122.1 | 530.0 | 138.9 | | |
| 22 | -24.5 | 124.0 | 42.2 | 226.0 | 77.2 | 328.0 | 102.4 | 430.0 | 122.5 | 532.0 | 139.2 | | |
| 24 | -22.2 | 126.0 | 43.0 | 228.0 | 77.8 | 330.0 | 102.9 | 432.0 | 122.8 | 534.0 | 139.5 | | |
| 26 | -20.0 | 128.0 | 43.8 | 230.0 | 78.4 | 332.0 | 103.3 | 434.0 | 123.2 | 536.0 | 139.8 | | |
| 28 | -17.9 | 130.0 | 44.7 | 232.0 | 78.9 | 334.0 | 103.7 | 436.0 | 123.5 | 538.0 | 140.1 | | |
| 30 | -15.8 | 132.0 | 45.5 | 234.0 | 79.5 | 336.0 | 104.2 | 438.0 | 123.9 | 540.0 | 140.4 | | |
| 32 | -13.8 | 134.0 | 46.3 | 236.0 | 80.0 | 338.0 | 104.6 | 440.0 | 124.2 | 544.0 | 141.0 | | |
| 34 | -11.9 | 136.0 | 47.1 | 238.0 | 80.6 | 340.0 | 105.1 | 442.0 | 124.6 | 548.0 | 141.6 | | |
| 36 | -10.1 | 138.0 | 47.9 | 240.0 | 81.1 | 342.0 | 105.4 | 444.0 | 124.9 | 552.0 | 142.1 | | |
| 38 | -8.3 | 140.0 | 48.7 | 242.0 | 81.6 | 344.0 | 105.8 | 446.0 | 125.3 | 556.0 | 142.7 | | |
| 40 | -6.5 | 142.0 | 49.5 | 244.0 | 82.2 | 346.0 | 106.3 | 448.0 | 125.6 | 560.0 | 143.3 | | |
| 42 | -4.5 | 144.0 | 50.3 | 246.0 | 82.7 | 348.0 | 106.6 | 450.0 | 126.0 | 564.0 | 143.9 | | |
| 44 | -3.2 | 146.0 | 51.1 | 248.0 | 83.3 | 350.0 | 107.1 | 452.0 | 126.3 | 568.0 | 144.5 | | |
| 46 | -1.6 | 148.0 | 51.8 | 250.0 | 83.8 | 352.0 | 107.5 | 454.0 | 126.6 | 572.0 | 145.0 | | |
| 48 | 0.0 | 150.0 | 52.5 | 252.0 | 84.3 | 354.0 | 107.9 | 456.0 | 127.0 | 576.0 | 145.6 | | |
| 50 | 1.5 | 152.0 | 53.3 | 254.0 | 84.8 | 356.0 | 108.3 | 458.0 | 127.3 | 580.0 | 146.2 | | |
| 52 | 3.0 | 154.0 | 54.0 | 256.0 | 85.4 | 358.0 | 108.8 | 460.0 | 127.7 | 584.0 | 146.7 | | |
| 54 | 4.5 | 156.0 | 54.8 | 258.0 | 85.9 | 360.0 | 109.2 | 462.0 | 128.0 | 588.0 | 147.3 | | |
| 56 | 5.9 | 158.0 | 55.5 | 260.0 | 86.4 | 362.0 | 109.6 | 464.0 | 128.3 | 592.0 | 147.9 | | |
| 58 | 7.3 | 160.0 | 56.2 | 262.0 | 86.9 | 364.0 | 110.0 | 466.0 | 128.7 | 596.0 | 148.4 | | |
| 60 | 8.6 | 162.0 | 57.0 | 264.0 | 87.4 | 366.0 | 110.4 | 468.0 | 129.0 | 600.0 | 149.0 | | |
| 62 | 10.0 | 164.0 | 57.7 | 266.0 | 87.9 | 368.0 | 110.8 | 470.0 | 129.3 | 604.0 | 149.5 | | |
| 64 | 11.3 | 166.0 | 58.4 | 268.0 | 88.4 | 370.0 | 111.2 | 472.0 | 129.7 | 608.0 | 150.1 | | |
| 66 | 12.6 | 168.0 | 59.0 | 270.0 | 88.9 | 372.0 | 111.6 | 474.0 | 130.0 | 612.0 | 150.6 | | |
| 68 | 13.8 | 170.0 | 59.8 | 272.0 | 89.4 | 374.0 | 112.0 | 476.0 | 130.3 | 616.0 | 151.2 | | |
| 70 | 15.1 | 172.0 | 60.5 | 274.0 | 89.9 | 376.0 | 112.4 | 478.0 | 130.7 | 620.0 | 151.7 | | |
| 72 | 16.3 | 174.0 | 61.1 | 276.0 | 90.4 | 378.0 | 112.6 | 480.0 | 131.0 | 624.0 | 152.3 | | |
| 74 | 17.5 | 176.0 | 61.8 | 278.0 | 90.9 | 380.0 | 113.1 | 482.0 | 131.3 | 628.0 | 152.8 | | |
| 76 | 18.7 | 178.0 | 62.5 | 280.0 | 91.4 | 382.0 | 113.5 | 484.0 | 131.6 | 632.0 | 153.4 | | |
| 78 | 19.8 | 180.0 | 63.1 | 282.0 | 91.9 | 384.0 | 113.9 | 486.0 | 132.0 | 636.0 | 153.9 | | |
| 80 | 21.0 | 182.0 | 63.8 | 284.0 | 92.4 | 386.0 | 114.3 | 488.0 | 132.3 | 640.0 | 154.5 | | |
| 82 | 22.1 | 184.0 | 64.5 | 286.0 | 92.8 | 388.0 | 114.7 | 490.0 | 132.6 | 644.0 | 155.0 | | |
| 84 | 23.2 | 186.0 | 65.1 | 288.0 | 93.3 | 390.0 | 115.0 | 492.0 | 132.9 | 648.0 | 155.5 | | |
| 86 | 24.3 | 188.0 | 65.8 | 290.0 | 93.8 | 392.0 | 115.5 | 494.0 | 133.3 | 652.0 | 156.1 | | |
| 88 | 25.4 | 190.0 | 66.4 | 292.0 | 94.3 | 394.0 | 115.8 | 496.0 | 133.6 | 656.0 | 156.6 | | |
| 90 | 26.4 | 192.0 | 67.0 | 294.0 | 94.8 | 396.0 | 116.2 | 498.0 | 133.9 | 660.0 | 157.1 | | |
| 92 | 27.4 | 194.0 | 67.7 | 296.0 | 95.2 | 398.0 | 116.6 | 500.0 | 134.0 | 664.0 | 157.7 | | |
| 94 | 28.5 | 196.0 | 68.3 | 298.0 | 95.7 | 400.0 | 117.0 | 502.0 | 134.5 | 668.0 | 158.2 | | |
| 96 | 29.5 | 198.0 | 68.9 | 300.0 | 96.2 | 402.0 | 117.3 | 504.0 | 134.8 | 672.0 | 158.7 | | |
| 98 | 30.5 | 200.0 | 69.5 | 302.0 | 96.6 | 404.0 | 117.7 | 506.0 | 135.2 | 676.0 | 159.2 | | |
| 100 | 31.2 | 202.0 | 70.1 | 304.0 | 97.1 | 406.0 | 118.1 | 508.0 | 135.5 | 680.0 | 159.8 | | |
| 102 | 32.2 | 204.0 | 70.7 | 306.0 | 97.5 | 408.0 | 118.5 | 510.0 | 135.8 | 684.0 | 160.3 | | |
| 104 | 33.2 | 206.0 | 71.4 | 308.0 | 98.0 | 410.0 | 118.8 | 512.0 | 136.1 | 688.0 | 160.8 | | |
| 106 | 34.1 | 208.0 | 72.0 | 310.0 | 98.4 | 412.0 | 119.2 | 514.0 | 136.4 | 692.0 | 161.3 | | |
| 108 | 35.1 | 210.0 | 72.6 | 312.0 | 98.9 | 414.0 | 119.6 | 516.0 | 136.7 | 696.0 | 161.8 | | |
| 110 | 35.5 | 212.0 | 73.2 | 314.0 | 99.3 | 416.0 | 119.9 | 518.0 | 137.0 | | | | |
| 112 | 36.9 | 214.0 | 73.8 | 316.0 | 99.7 | 418.0 | 120.3 | 520.0 | 137.3 | | | | |

*Based on ALLIED SIGNAL Data

SERVICING

| REQUIRED LIQUID LINE TEMPERATURE | | | | | | |
|--|--------------------------------------|-----|-----|-----|-----|-----|
| LIQUID PRESSURE AT SERVICE VALVE (PSIG) | REQUIRED SUBCOOLING TEMPERATURE (°F) | | | | | |
| | 8 | 10 | 12 | 14 | 16 | 18 |
| 189 | 58 | 56 | 54 | 52 | 50 | 48 |
| 195 | 60 | 58 | 56 | 54 | 52 | 50 |
| 202 | 62 | 60 | 58 | 56 | 54 | 52 |
| 208 | 64 | 62 | 60 | 58 | 56 | 54 |
| 215 | 66 | 64 | 62 | 60 | 58 | 56 |
| 222 | 68 | 66 | 64 | 62 | 60 | 58 |
| 229 | 70 | 68 | 66 | 64 | 62 | 60 |
| 236 | 72 | 70 | 68 | 66 | 64 | 62 |
| 243 | 74 | 72 | 70 | 68 | 66 | 64 |
| 251 | 76 | 74 | 72 | 70 | 68 | 66 |
| 259 | 78 | 76 | 74 | 72 | 70 | 68 |
| 266 | 80 | 78 | 76 | 74 | 72 | 70 |
| 274 | 82 | 80 | 78 | 76 | 74 | 72 |
| 283 | 84 | 82 | 80 | 78 | 76 | 74 |
| 291 | 86 | 84 | 82 | 80 | 78 | 76 |
| 299 | 88 | 86 | 84 | 82 | 80 | 78 |
| 308 | 90 | 88 | 86 | 84 | 82 | 80 |
| 317 | 92 | 90 | 88 | 86 | 84 | 82 |
| 326 | 94 | 92 | 90 | 88 | 86 | 84 |
| 335 | 96 | 94 | 92 | 90 | 88 | 86 |
| 345 | 98 | 96 | 94 | 92 | 90 | 88 |
| 354 | 100 | 98 | 96 | 94 | 92 | 90 |
| 364 | 102 | 100 | 98 | 96 | 94 | 92 |
| 374 | 104 | 102 | 100 | 98 | 96 | 94 |
| 384 | 106 | 104 | 102 | 100 | 98 | 96 |
| 395 | 108 | 106 | 104 | 102 | 100 | 98 |
| 406 | 110 | 108 | 106 | 104 | 102 | 100 |
| 416 | 112 | 110 | 108 | 106 | 104 | 102 |
| 427 | 114 | 112 | 110 | 108 | 106 | 104 |
| 439 | 116 | 114 | 112 | 110 | 108 | 106 |
| 450 | 118 | 116 | 114 | 112 | 110 | 108 |
| 462 | 120 | 118 | 116 | 114 | 112 | 110 |
| 474 | 122 | 120 | 118 | 116 | 114 | 112 |
| 486 | 124 | 122 | 120 | 118 | 116 | 114 |
| 499 | 126 | 124 | 122 | 120 | 118 | 116 |
| 511 | 128 | 126 | 124 | 122 | 120 | 118 |

SERVICING

SUCTION LINE DRIER CLEAN-UP METHOD

The POE oils used with R410A refrigerant is an excellent solvent. In the case of a burnout, the POE oils will remove any burnout residue left in the system. If not captured by the refrigerant filter, they will collect in the compressor or other system components, causing a failure of the replacement compressor and/or spread contaminants throughout the system, damaging additional components.

Install a suction line filter drier. This drier should be installed as close to the compressor suction fitting as possible. The filter must be accessible and be rechecked for a pressure drop after the system has operated for a time. It may be necessary to use new tubing and form as required.

NOTE: At least twelve (12) inches of the suction line immediately out of the compressor stub must be discarded due to burned residue and contaminates.

1. Remove the liquid line drier and expansion valve.
2. Purge all remaining components with dry nitrogen or carbon dioxide until clean.
3. Install new components including liquid line drier.
4. Braze all joints, leak test, evacuate, and recharge system.
5. Start up the unit and record the pressure drop across the drier.
6. Continue to run the system for a minimum of twelve (12) hours and recheck the pressure drop across the drier. Pressure drop should not exceed 6 PSIG.
7. Continue to run the system for several days, repeatedly checking pressure drop across the suction line drier. If the pressure drop never exceeds the 6 PSIG, the drier has trapped the contaminants. Remove the suction line drier from the system.
8. If the pressure drop becomes greater, then it must be replaced and steps 5 through 9 repeated until it does not exceed 6 PSIG.

NOTICE: Regardless, the cause for burnout must be determined and corrected before the new compressor is started.

REVERSING VALVE REPLACEMENT

Remove the refrigerant charge from the system. When brazing a reversing valve into the system, it is of extreme importance that the temperature of the valve does not exceed 250°F. at any time.

Wrap the reversing valve with a large rag saturated with water. "Re-wet" the rag and thoroughly cool the valve after each brazing operation of the four joints involved. The wet rag around the reversing valve will eliminate conduction of heat to the valve body when brazing the line connection.

The use of a wet rag sometimes can be a nuisance. There are commercial grades of heat absorbing paste that may be substituted.

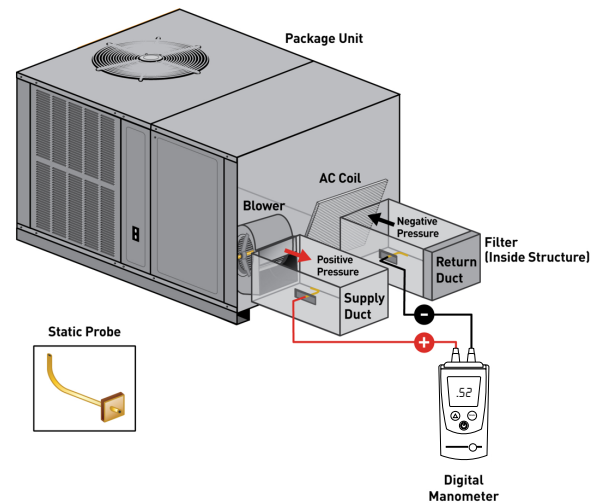
After the valve has been installed, leak test, evacuate and recharge.

CHECKING EXTERNAL STATIC PRESSURE

The minimum and maximum allowable duct static pressure is found in the Technical Information Manual.

Too great of an external static pressure will result in insufficient air that can cause icing of the coil, whereas too much air can cause poor humidity control, and condensate to be pulled off the evaporator coil causing condensate leakage. Too much air can cause motor overloading and in many cases this constitutes a poorly designed system. To determine proper air movement, proceed as follows:

1. Using a manometer measure the static pressure of the return duct at the inlet of the unit (Negative Pressure).



TOTAL EXTERNAL STATIC

2. Measure the static pressure of the supply duct, (Positive Pressure).
3. Add the two readings together.

NOTE: Both readings may be taken simultaneously and read directly on the manometer if so desired.

4. Consult proper table for quantity of air.

If the external static pressure exceeds the minimum or maximum allowable statics, check for closed dampers, dirty filters, undersized or poorly laid out ductwork.

ADJUSTING AIRFLOW

EEM Motor

The blower motor speed for the EEM motor is controlled by three 24V low voltage leads: green, yellow, and white. The green lead sets the speed for fan-only mode.

SERVICING

The yellow lead sets the speed for cooling and heat pump heating mode (if applicable).

EEM Motor Speed Adjustment

The white lead sets the speed for electric heat mode (emergency heat and second stage heat, if applicable).

The leads are factory connected as follows: Green to T1, Yellow to T2, and White to T3. T1 is the low speed setting and is dedicated to fan-only mode. T2 is medium speed cooling and T3 is medium speed heating. T4 is high speed cooling and T5 is high speed heating. To adjust the blower speed, move the yellow and/or white wires to T4 and T5.

NOTE: If more than one lead is energized at the same time, the motor will use the higher speed setting.

ECM Motor Speed Adjustment

Each ECM blower motor has been preprogrammed for operation at 4 distinct air flow levels when operating in Cooling/Heat Pump mode or Electric Heat mode. These 4 distinct levels may also be adjusted slightly lower or higher if desired. The adjustment between levels and the trim adjustments are made by changing the dip switch(s) either to an "OFF" or "ON" position. See Blower Performance Data tables in installation manual.

DIP Switch Functions

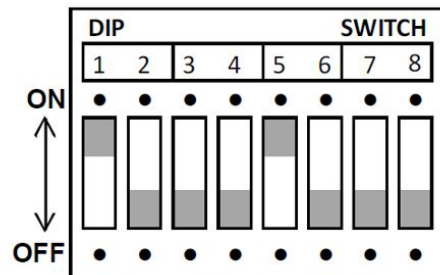
The ECM motor has an electronic control that contains eight (8) 2-position dip switches. The function of these dip switches is shown in Table below.

For APHH5[24-36]41 models, dip switch 4 must be set to ON. Dip switch 4 must be set to OFF for the two-stage compressor models APHH5[42-60]41. Dip switch 4 ON energizes Y1 signal to the ECM motor anytime Y/Y2 is energized. The indoor motor will not operate properly if switch is not set correctly for the model.

| Electric Heat DIP Switch Settings | | |
|--------------------------------------|----------|----------|
| Speed Tap | Switch 1 | Switch 2 |
| A | OFF | OFF |
| B | ON | OFF |
| C | OFF | ON |
| D | ON | ON |

| Speed Tap Adjustment Through DIP Switches | | |
|--|----------|----------|
| CFM | Switch 7 | Switch 8 |
| Plus 10% | ON | OFF |
| Normal | OFF | OFF |
| Minus 10% | OFF | ON |

| DIP Switch Settings for Single & Two-Stage Thermostat | | |
|--|----------|----------|
| Thermostat | Switch 3 | Switch 4 |
| Single-Stage | N/A | ON |
| Two-Stage | N/A | OFF |



Factory DIP Switch Settings

| Cooling/HP DIP Switch Settings | | |
|--------------------------------|----------|----------|
| Speed Tap | Switch 5 | Switch 6 |
| A | OFF | OFF |
| B | ON | OFF |
| C | OFF | ON |
| D | ON | ON |

| Switches | Function |
|----------|-------------------------|
| 1, 2 | Electric Heat |
| 3 | N/A |
| 4 | Indoor Thermostat |
| 5, 6 | Cooling & Heat Pump CFM |
| 7, 8 | CFM Trim Adjust |

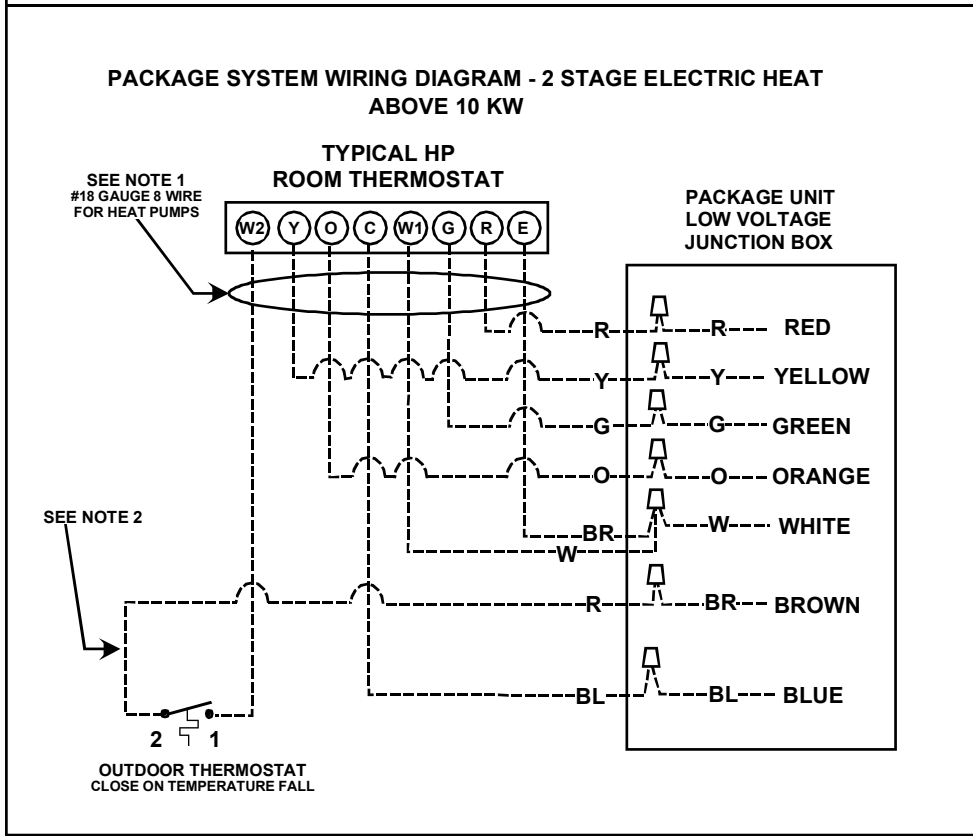
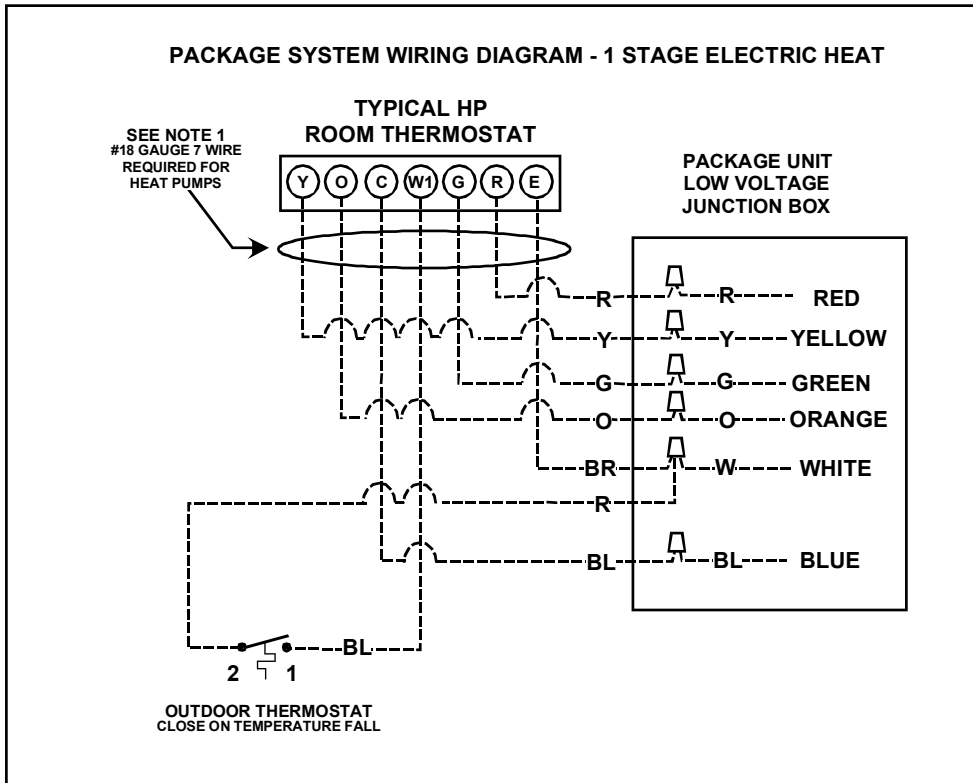
DIP Switch Functions

WIRING DIAGRAMS

OT18-60A OUTDOOR THERMOSTAT

HIGH VOLTAGE!
 DISCONNECT ALL POWER BEFORE SERVICING OR INSTALLING THIS UNIT. MULTIPLE POWER SOURCES MAY BE PRESENT. FAILURE TO DO SO MAY CAUSE PROPERTY DAMAGE, PERSONAL INJURY OR DEATH.

WARNING

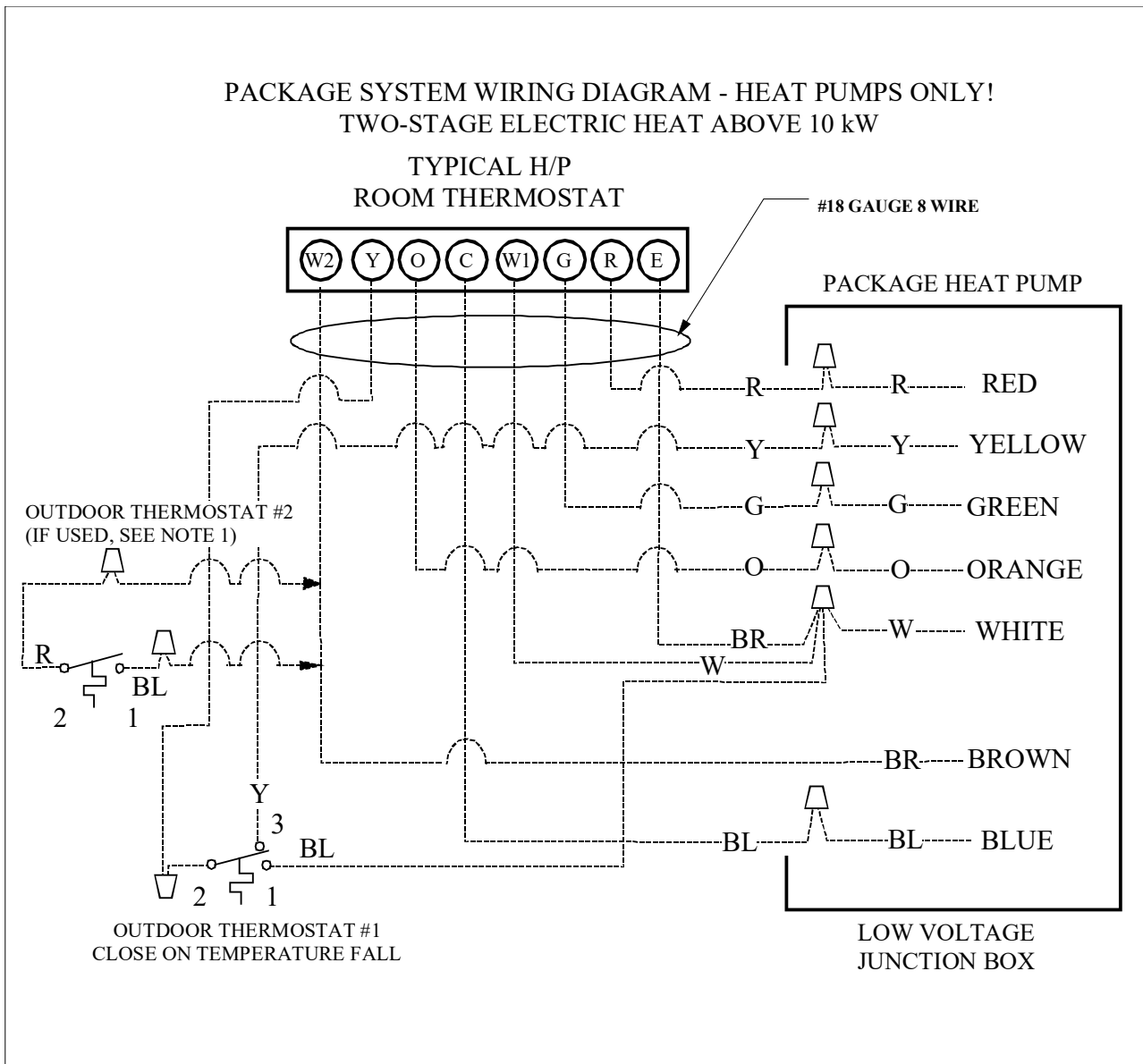
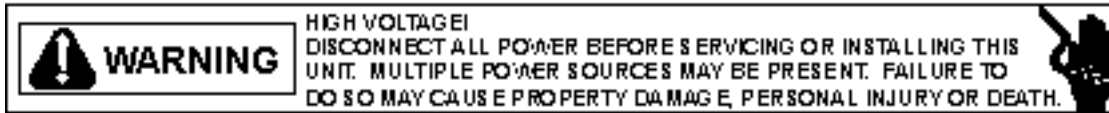


NOTES:

- 1) "O" and "E" used on heat pumps only.
- 2) Connect wire from terminal #1 on outdoor thermostat to the white wire on package units if single stage indoor thermostat is used.

Color Codes
 R - Red
 Y - Yellow
 BL - Blue
 BR - Brown
 O - Orange
 W - White
 G - Green

Wiring is subject to change. Always refer to the wiring diagram on the unit for the most up-to-date wiring.



For outdoor temperatures below 0° F with 50% or higher relative humidity, set outdoor thermostat at 0° F

NOTE 1: OT18 #2 CAN BE CONNECTED BETWEEN W2 OF THERMOSTAT AND BROWN WIRE IF DESIRED.

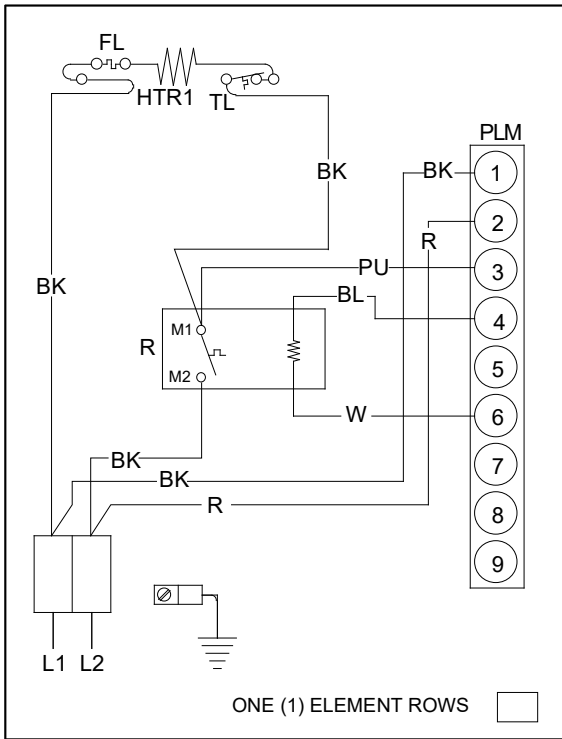
- COLOR CODES
 R --RED
 Y --YELLOW
 BL-BLUE
 BR-BROWN
 O --ORANGE
 W -WHITE
 G --GREEN

Wiring is subject to change. Always refer to the wiring diagram on the unit for the most up-to-date wiring.

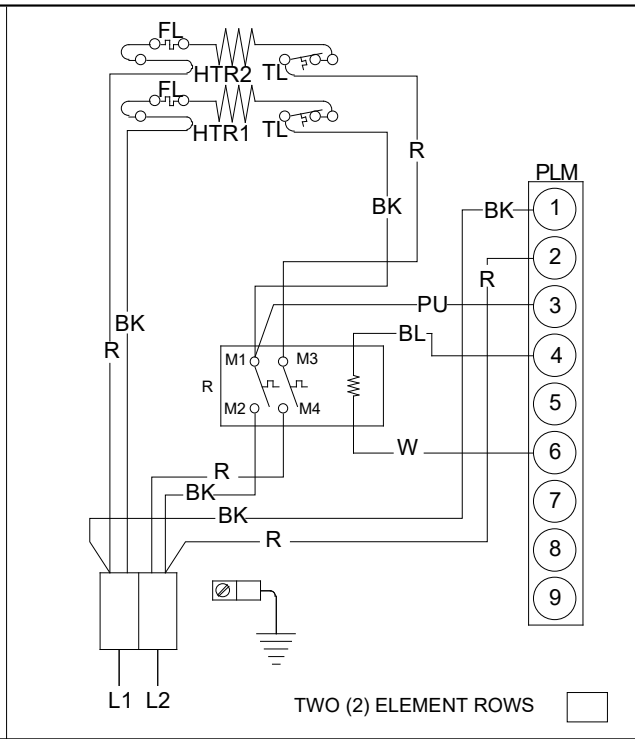
WIRING DIAGRAMS

SINGLE PHASE HKR/P** HEAT KIT

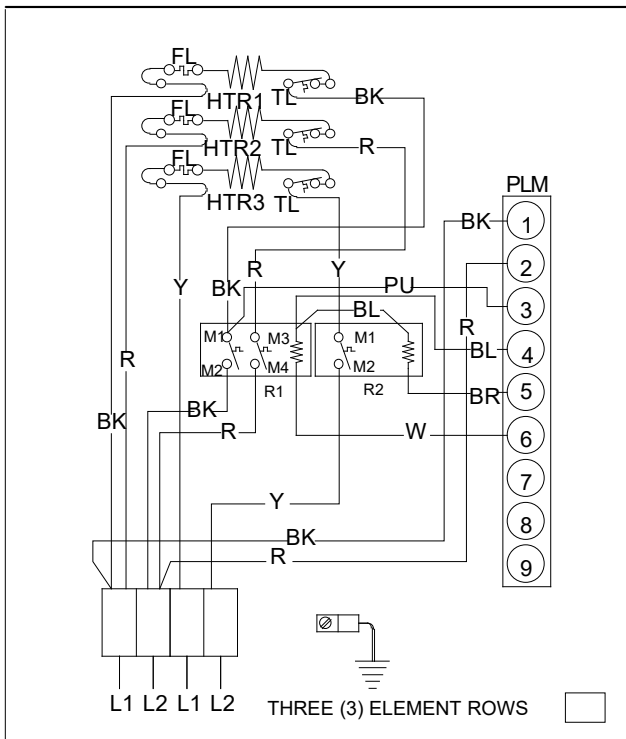
WARNING
 HIGH VOLTAGE!
 DISCONNECT ALL POWER BEFORE SERVICING OR INSTALLING THIS UNIT. MULTIPLE POWER SOURCES MAY BE PRESENT. FAILURE TO DO SO MAY CAUSE PROPERTY DAMAGE, PERSONAL INJURY OR DEATH.



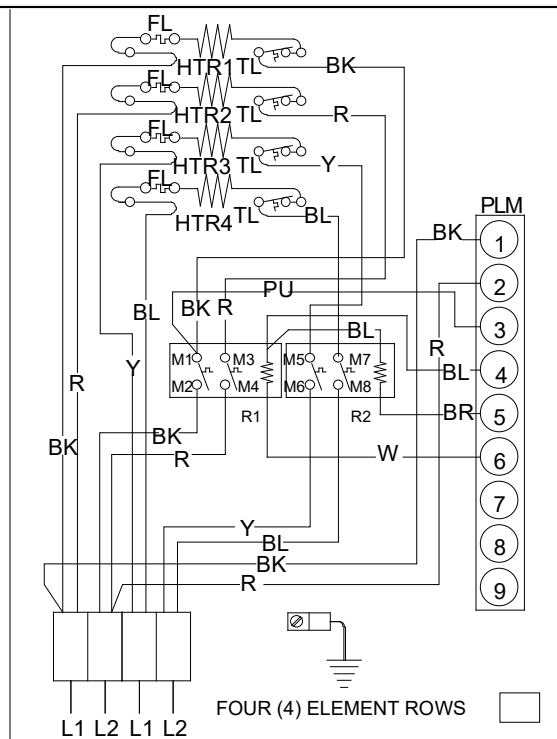
5 KW



10 KW



15 KW



20 KW

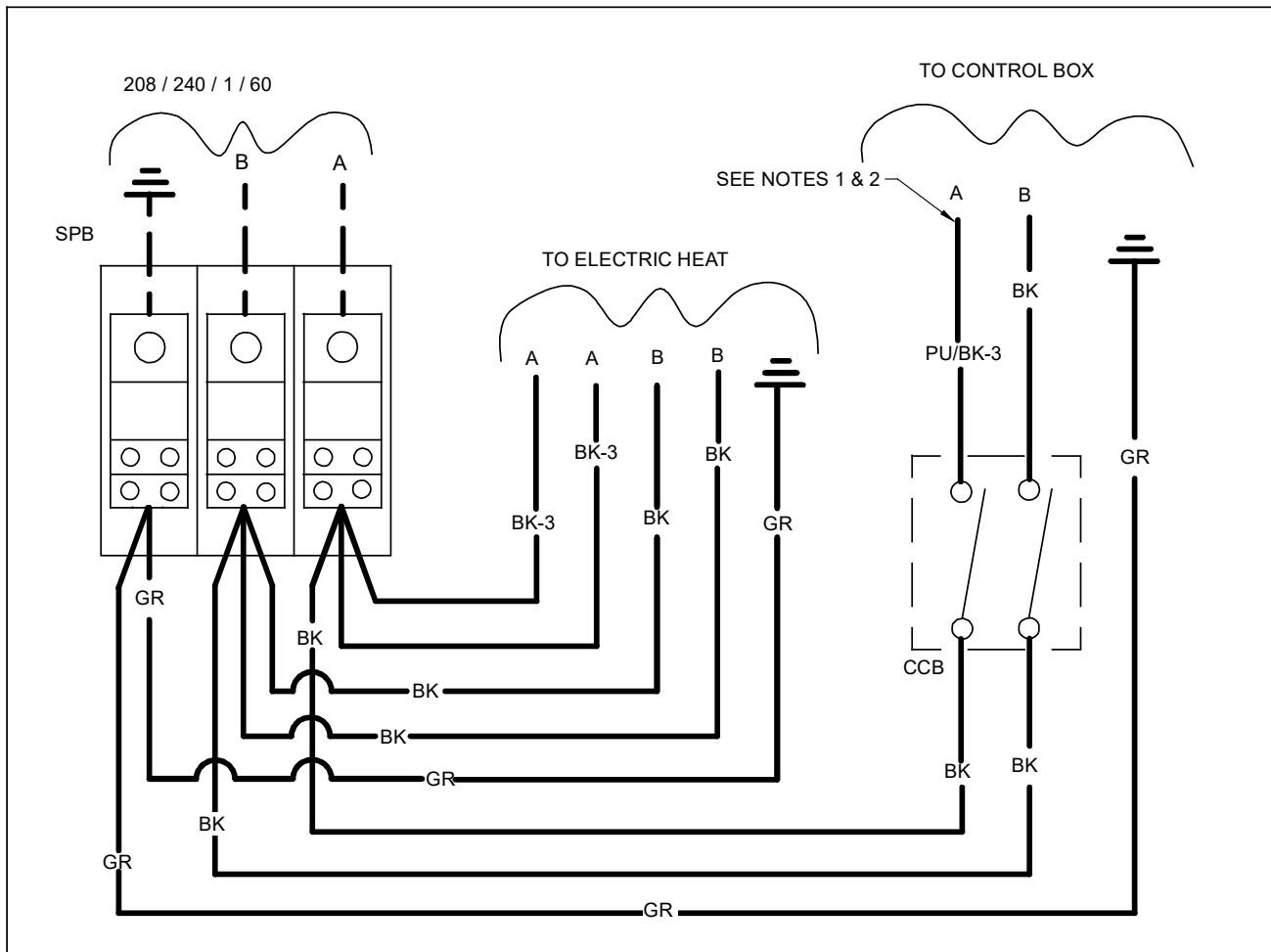
Wiring is subject to change. Always refer to the wiring diagram on the unit for the most up-to-date wiring.

WIRING DIAGRAMS

SPK* - SINGLE POINT WIRING KIT

WARNING

HIGH VOLTAGE!
 DISCONNECT ALL POWER BEFORE SERVICING OR INSTALLING THIS UNIT. MULTIPLE POWER SOURCES MAY BE PRESENT. FAILURE TO DO SO MAY CAUSE PROPERTY DAMAGE, PERSONAL INJURY OR DEATH.



- NOTES:**
- FOR APC & GPC UNITS: A = L1 / B = L2
 FOR APH & GPH UNITS: A = L2 / B = L1
 - 45, 40, 35, & 30 AMP BREAKERS WILL HAVE A PURPLE WIRE. 50 AND 60 AMP BREAKERS WILL HAVE BLACK WIRE LABELED WITH A #3

LEGEND

CCB - COMPRESSOR
 CIRCUI T BREAKER
 SPB - SINGLE POINT BLOCK

WIRING CODE

FACTORY WIRING
 HIGH VOLTAGE
 OPTIONAL HIGH VOLTAGE
 FIELD WIRING
 HIGH VOLTAGE

COLOR CODE

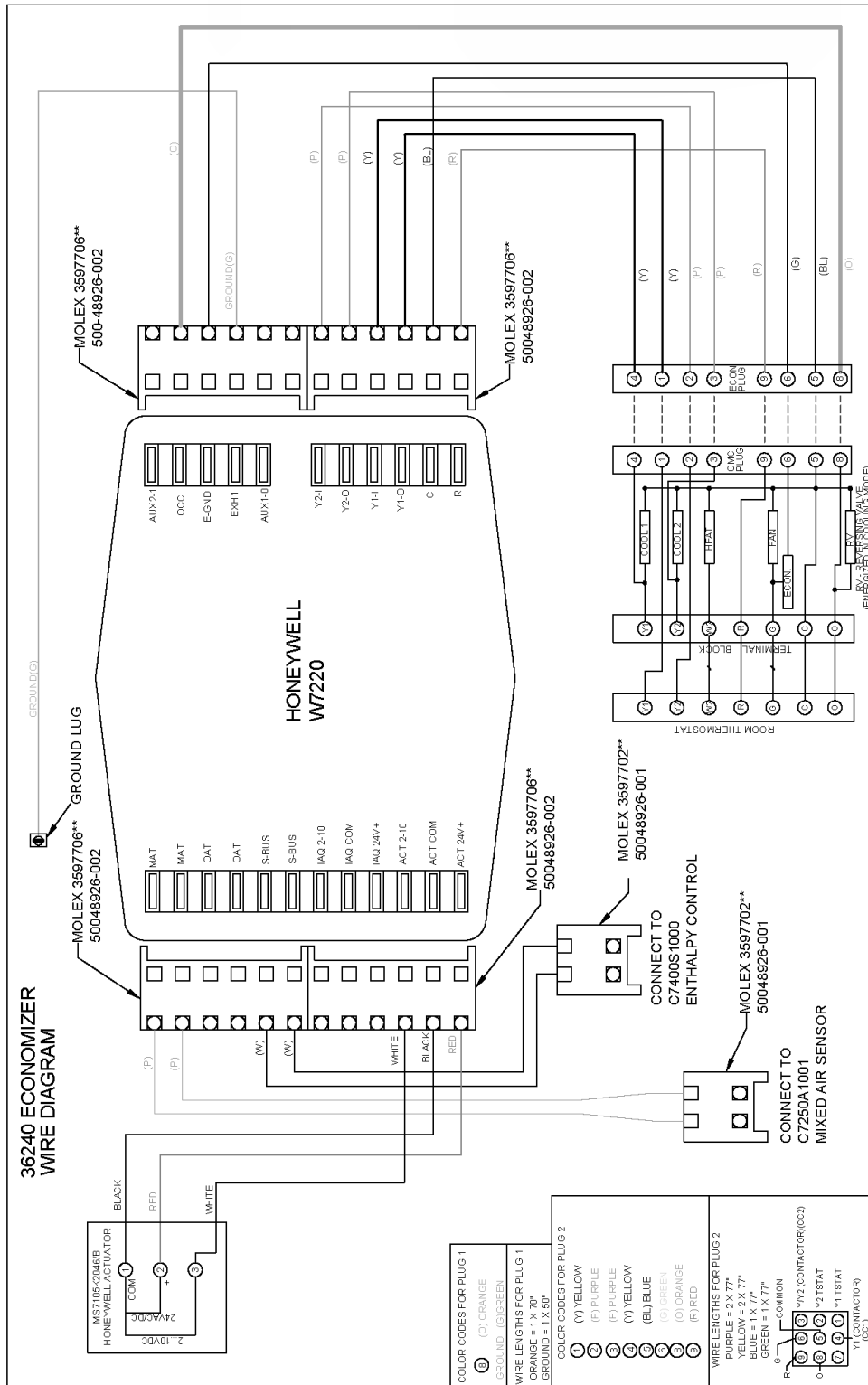
BK ----- BLACK
 GR ----- GREEN
 BR ----- BROWN
 PU ----- PURPLE
 WH ----- WHITE
 YL ----- YELLOW

0140G02544-A

Wiring is subject to change. Always refer to the wiring diagram on the unit for the most up-to-date wiring.

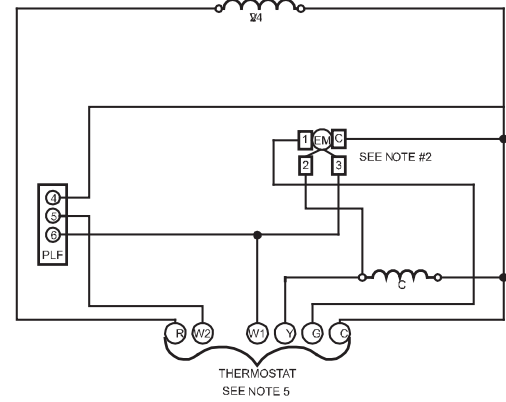
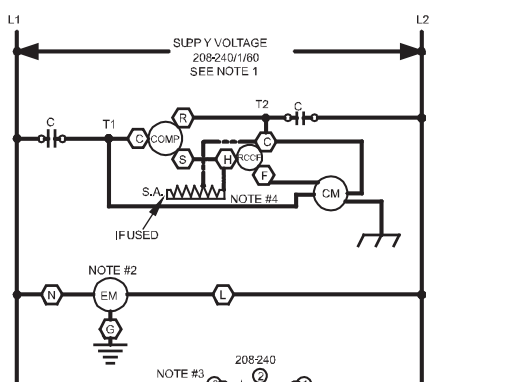
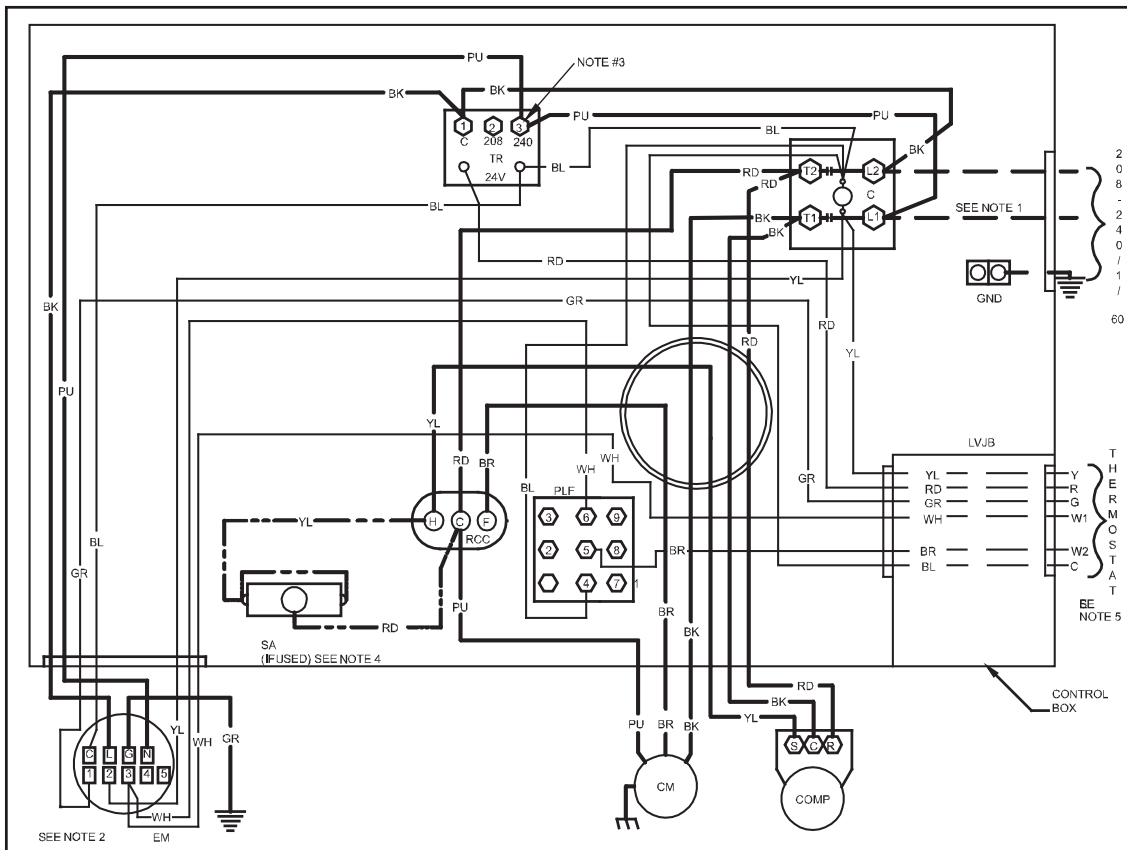
WARNING

HIGH VOLTAGE!
DISCONNECT ALL POWER BEFORE SERVICING OR INSTALLING THIS UNIT. MULTIPLE POWER SOURCES MAY BE PRESENT. FAILURE TO DO SO MAY CAUSE PROPERTY DAMAGE, PERSONAL INJURY OR DEATH.



Wiring is subject to change. Always refer to the wiring diagram on the unit for the most up-to-date wiring.

WARNING
 HIGH VOLTAGE!
 DISCONNECT ALL POWER BEFORE SERVICING OR INSTALLING THIS UNIT. MULTIPLE POWER SOURCES MAY BE PRESENT. FAILURE TO DO SO MAY CAUSE PROPERTY DAMAGE, PERSONAL INJURY OR DEATH.



COMPONENT LEGEND

- BR BLOWER INTERLOCK RELAY
- C CONTACTOR
- CH CRACKCASE HEATER
- CM CONDENSER MOTOR
- COMP COMPRESSOR
- EBTDR ELECTRONIC BLOWER TIME DELAY RELAY
- EM EVAPORATOR MOTOR
- FC FAN CAPACITOR
- GND EQUIPMENT GROUND
- LVJB LOW VOLTAGE JUNCTION BOX
- PLF FEMALE PLUG / CONNECTOR
- RCCF RUN CAPACITOR FOR COMPRESSOR AND FAN
- SA START ASSIST
- TR TRANSFORMER

- FACTORY WIRING**
- LINE VOLTAGE
 - LOW VOLTAGE
 - OPTIONAL HIGH VOLTAGE

- FIELD WIRING**
- - - HIGH VOLTAGE
 - - - LOW VOLTAGE

- WIRE CODE**
- BK BLACK
 - BL BLUE
 - BR BROWN
 - GR GREEN
 - OR ORANGE
 - PU PURPLE
 - RD RED
 - WH WHITE
 - YL YELLOW

- JUNCTION
- TERMINAL
- INTERNAL TO INTEGRATED CONTROL
- PLUG CONNECTION
- SWITCH (PRESS)
- OVERCURRENT PROT. DEVICE

- EQUIPMENT GROUND
- FIELD GROUND
- FIELD SPLICE
- SWITCH (TEMP)
- IGNITER

NOTES

1. REPLACEMENT WIRE MUST BE SAME SIZE AND TYPE INSULATION AS ORIGINAL (AT LEAST 105°C) USE COPPER CONDUCTOR ONLY.
 2. TO CHANGE EVAPORATOR MOTOR SPEED REPLACE LEAD ON EBTDR "COM" WITH LEAD ON EBTDR "M1" OR "M2"
 3. FOR 208 VOLT TRANSFORMER OPERATION MOVE PURPLE WIRES FROM TERMINAL 3 TERMINAL 2 ON TRANSFORMER.
 4. START ASSIST FACTOR EQUIPPED WHEN REQUIRED
 5. USE COPPER CONDUCTORS ONLY
- ++ USE N.E.C. CLASS

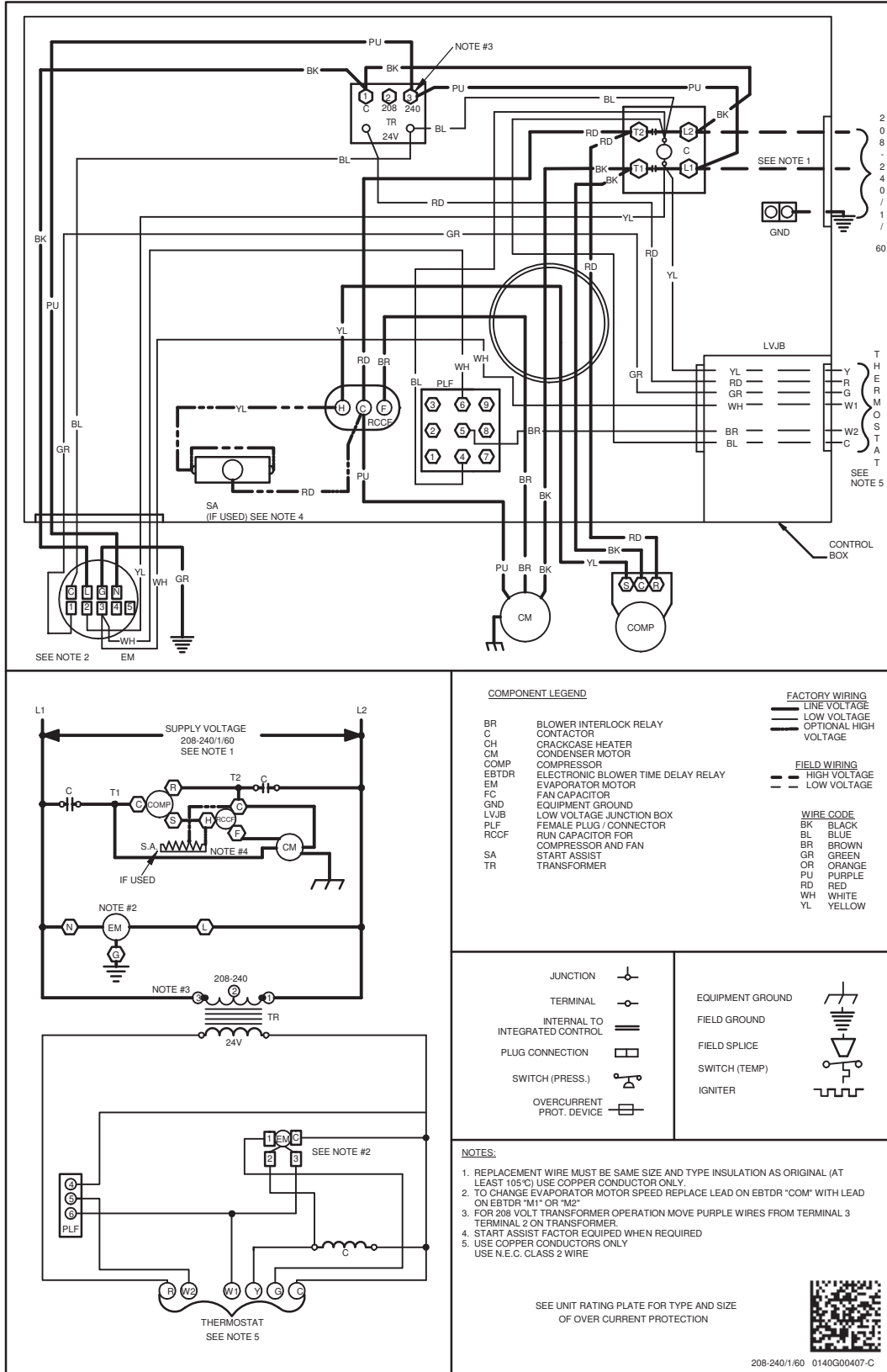
SEE UNIT RATING PLATE FOR TYPE AND SIZE OF OVER CURRENT PROTECTION



208-240/1/60 0140300407-C

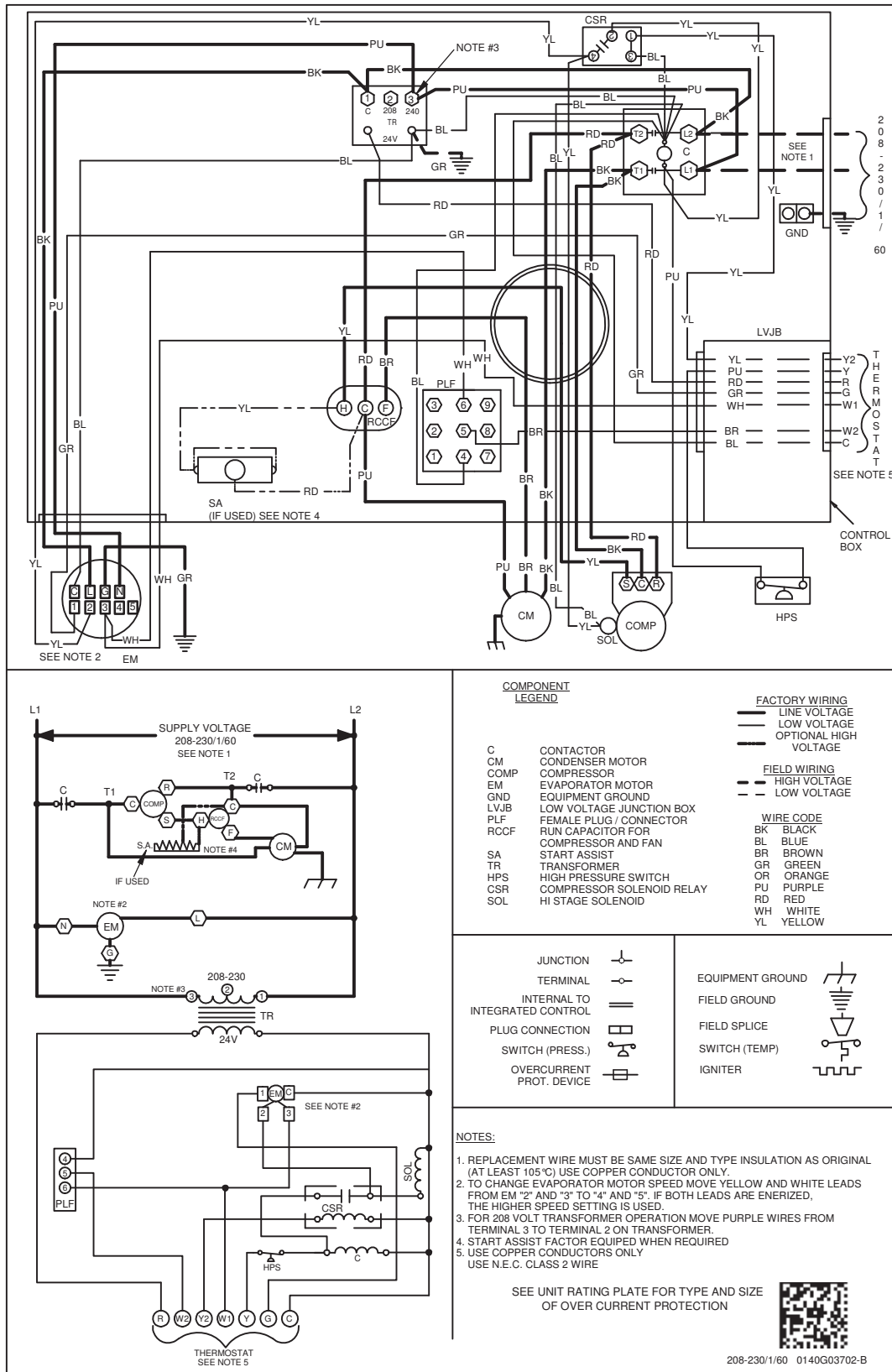
Wiring is subject to change. Always refer to the wiring diagram on the unit for the most up-to-date wiring.

WARNING
 HIGH VOLTAGE!
 DISCONNECT ALL POWER BEFORE SERVICING OR INSTALLING THIS UNIT. MULTIPLE POWER SOURCES MAY BE PRESENT. FAILURE TO DO SO MAY CAUSE PROPERTY DAMAGE, PERSONAL INJURY OR DEATH.



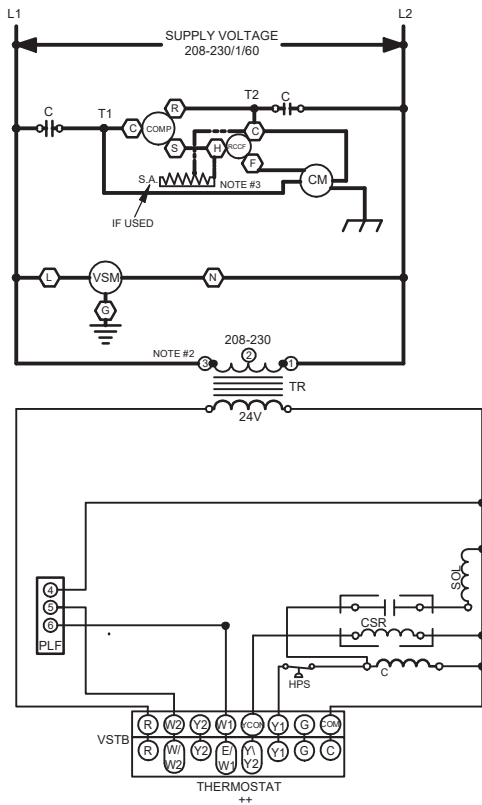
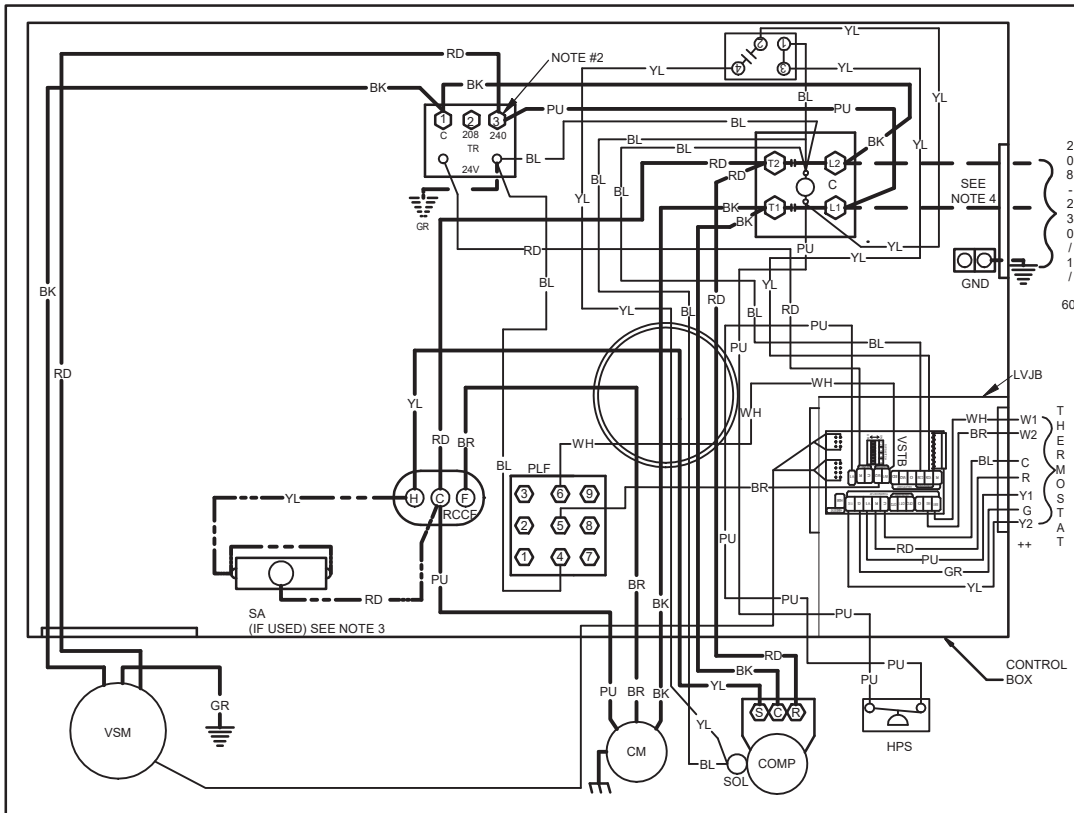
Wiring is subject to change. Always refer to the wiring diagram on the unit for the most up-to-date wiring.

WARNING
 HIGH VOLTAGE!
 DISCONNECT ALL POWER BEFORE SERVICING OR INSTALLING THIS UNIT. MULTIPLE POWER SOURCES MAY BE PRESENT. FAILURE TO DO SO MAY CAUSE PROPERTY DAMAGE, PERSONAL INJURY OR DEATH.



Wiring is subject to change. Always refer to the wiring diagram on the unit for the most up-to-date wiring.

WARNING
 HIGH VOLTAGE!
 DISCONNECT ALL POWER BEFORE SERVICING OR INSTALLING THIS UNIT. MULTIPLE POWER SOURCES MAY BE PRESENT. FAILURE TO DO SO MAY CAUSE PROPERTY DAMAGE, PERSONAL INJURY OR DEATH.



COMPONENT LEGEND

- C CONTACTOR
- CM CONDENSER MOTOR
- COMP COMPRESSOR
- EM EVAPORATOR MOTOR
- GND EQUIPMENT GROUND
- LVJB LOW VOLTAGE JUNCTION BOX
- PLF FEMALE PLUG / CONNECTOR
- RCCF RUN CAPACITOR FOR COMPRESSOR AND FAN
- SA START ASSIST
- TR TRANSFORMER
- HPS HIGH PRESSURE SWITCH
- CSR COMPRESSOR SOLENOID RELAY
- SOL HI STAGE SOLENOID

- FACTORY WIRING**
- LINE VOLTAGE
 - LOW VOLTAGE
 - OPTIONAL HIGH VOLTAGE

- FIELD WIRING**
- - - HIGH VOLTAGE
 - - - LOW VOLTAGE

- WIRE CODE**
- BK BLACK
 - BL BLUE
 - BR BROWN
 - GR GREEN
 - OR ORANGE
 - PU PURPLE
 - RD RED
 - WH WHITE
 - YL YELLOW

- JUNCTION
- TERMINAL
- INTERNAL TO INTEGRATED CONTROL
- PLUG CONNECTION
- SWITCH (PRESS.)
- OVERCURRENT PROT. DEVICE

- EQUIPMENT GROUND
- FIELD GROUND
- FIELD SPICE
- SWITCH (TEMP)
- IGNITER

NOTES:

1. REPLACEMENT WIRE MUST BE SAME SIZE AND TYPE INSULATION AS ORIGINAL (AT LEAST 105°C) USE COPPER CONDUCTOR ONLY.
 2. FOR 208 VOLT TRANSFORMER OPERATION MOVE PURPLE WIRES FROM TERMINAL 3 TO TERMINAL 2 ON TRANSFORMER.
 3. START ASSIST FACTOR EQUIPED WHEN REQUIRED
 4. USE COPPER CONDUCTORS ONLY
- ++ USE N.E.C. CLASS 2 WIRE

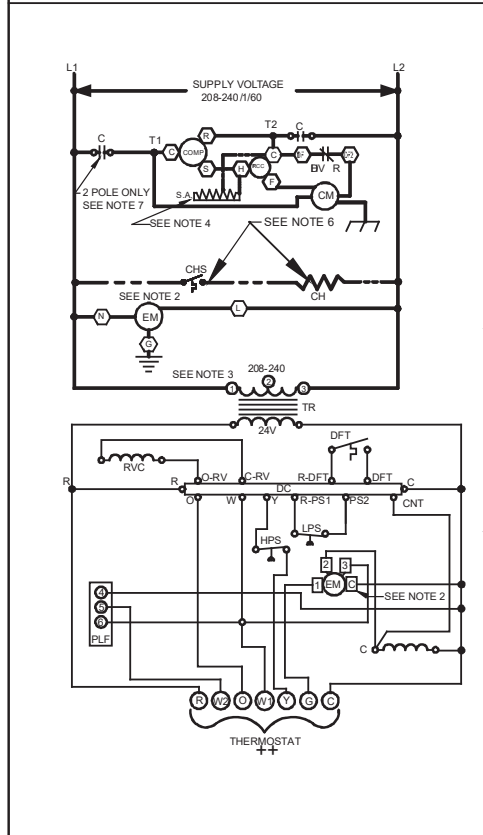
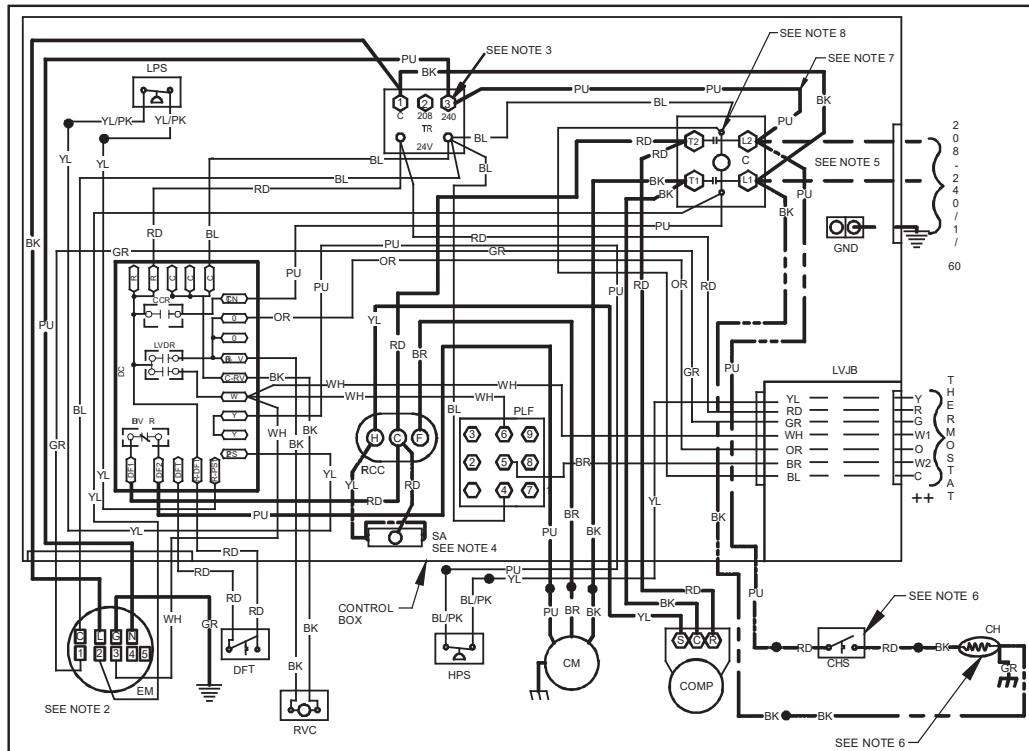
SEE UNIT RATING PLATE FOR TYPE AND SIZE OF OVER CURRENT PROTECTION



208-230/160 0140G03704-B


Wiring is subject to change. Always refer to the wiring diagram on the unit for the most up-to-date wiring.

WARNING
 HIGH VOLTAGE!
 DISCONNECT ALL POWER BEFORE SERVICING OR INSTALLING THIS UNIT. MULTIPLE POWER SOURCES MAY BE PRESENT. FAILURE TO DO SO MAY CAUSE PROPERTY DAMAGE, PERSONAL INJURY OR DEATH.

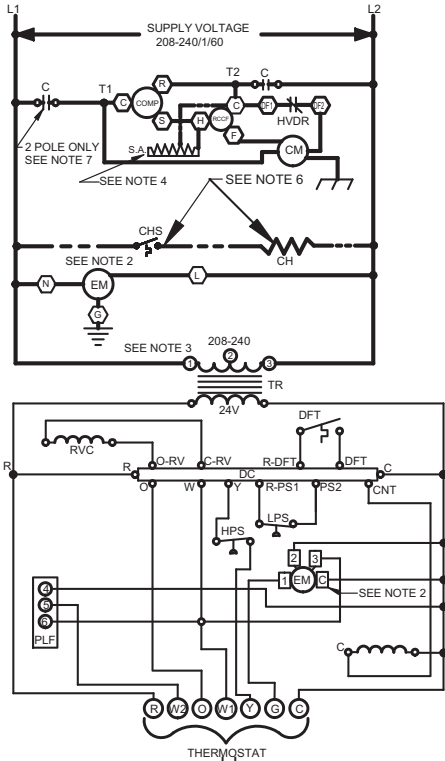
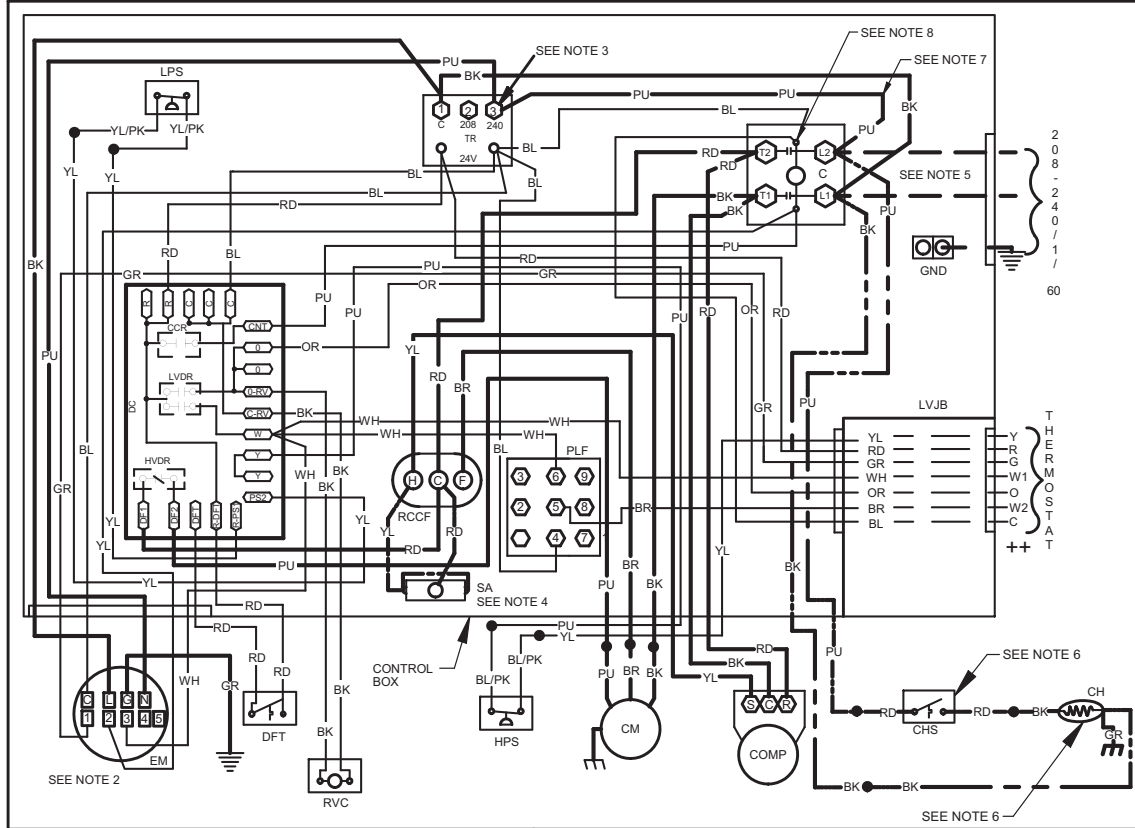


| COMPONENT LEGEND | | FACTORY WIRING | |
|------------------|--------------------------------------|----------------|-----------------------|
| C | CONTACTOR | — | LINE VOLTAGE |
| CCR | COMPRESSOR CONTACTOR RELAY | — | LOW VOLTAGE |
| CH | CRANKCASE HEATER | — | OPTIONAL HIGH VOLTAGE |
| CHS | CRANKCASE HEATER SWITCH | — | FIELD WIRING |
| CM | CONDENSER MOTOR | — | HIGH VOLTAGE |
| COMP | COMPRESSOR | — | LOW VOLTAGE |
| DC | DEFROST CONTROL | — | WIRE CODE |
| DFT | DEFROST THERMOSTAT | BK | BLACK |
| EM | EVAPORATOR MOTOR | BL | BLUE |
| GND | EQUIPMENT GROUND | BR | BROWN |
| HVDR | HIGH VOLTAGE DEFROST RELAY | GR | GREEN |
| LPS | LOW PRESSURE SWITCH | OR | ORANGE |
| LVDR | LOW VOLTAGE DEFROST RELAY | PU | PURPLE |
| LVJB | LOW VOLTAGE JUNCTION BOX | RD | RED |
| PLF | FEMALE PLUG / CONNECTOR | WH | WHITE |
| RVC | REVERSING VALVE COIL | YL | YELLOW |
| RCCF | RUN CAPACITOR FOR COMPRESSOR AND FAN | | |
| SA | START ASSIST | | |
| TR | TRANSFORMER | | |
| HPS | HIGH PRESSURE SWITCH | | |

| | | | |
|--------------------------------|--|------------------|--|
| JUNCTION | | EQUIPMENT GROUND | |
| TERMINAL | | FIELD GROUND | |
| INTERNAL TO INTEGRATED CONTROL | | FIELD SPlice | |
| PLUG CONNECTION | | SWITCH (TEMP) | |
| IGNITER | | | |
| SWITCH (PRESS.) | | | |
| OVERCURRENT PROT. DEVICE | | | |

- NOTES**
- REPLACEMENT WIRE MUST BE SAME SIZE AND TYPE INSULATION AS ORIGINAL (AT LEAST 105°C) USE COPPER CONDUCTOR ONLY.
 - TO CHANGE EVAPORATOR MOTOR SPEED MOVE WHITE AND YELLOW LEADS FROM EM*2 AND *3 TO *4 AND *5. IF BOTH LEADS ARE ENERGIZED, THE HIGHER SPEED SETTING IS USED.
 - FOR 208 VOLT TRANSFORMER OPERATION MOVE PURPLE WIRES FROM TERMINAL 3 TO TERMINAL 2 ON TRANSFORMER.
 - START ASSIST FACTORY EQUIPPED WHEN REQUIRED
 - USE COPPER CONDUCTORS ONLY
- ++ USE N.E.C. CLASS 2 WIRE
- CRANKCASE HEATER AND CRANKCASE HEATER SWITCH FACTORY EQUIPPED WHEN REQUIRED.
 - DOUBLE POLE CONTACTOR SHOWN. SINGLE POLE CONTACTOR COULD BE FACTORY EQUIPPED AS AN ALTERNATE CONFIGURATION.
 - COMMON SIDE OF CONTACTOR CAN NOT BE GROUNDED OR CONNECTED TO ANY OTHER COMMON (24V).
- SEE UNIT RATING PLATE FOR TYPE AND SIZE OF OVER CURRENT PROTECTION
- 
- 140G01640-D

WARNING
 HIGH VOLTAGE!
 DISCONNECT ALL POWER BEFORE SERVICING OR INSTALLING THIS UNIT. MULTIPLE POWER SOURCES MAY BE PRESENT. FAILURE TO DO SO MAY CAUSE PROPERTY DAMAGE, PERSONAL INJURY OR DEATH.



COMPONENT LEGEND

- C CONTACTOR
- CCR COMPRESSOR CONTACTOR RELAY
- CH CRANKCASE HEATER
- CHS CRANKCASE HEATER SWITCH
- CM CONDENSER MOTOR
- COMP COMPRESSOR
- DC DEFROST CONTROL
- DFT DEFROST THERMOSTAT
- EM EVAPORATOR MOTOR
- GND EQUIPMENT GROUND
- HVDR HIGH VOLTAGE DEFROST RELAY
- LPS LOW PRESSURE SWITCH
- LVDR LOW VOLTAGE DEFROST RELAY
- LVJB LOW VOLTAGE JUNCTION BOX
- PLF FEMALE PLUG / CONNECTOR
- RVC REVERSING VALVE COIL
- RCCF RUN CAPACITOR FOR COMPRESSOR AND FAN
- SA START ASSIST
- TR TRANSFORMER
- HPS HIGH PRESSURE SWITCH

FACTORY WIRING

- LINE VOLTAGE
- LOW VOLTAGE
- OPTIONAL HIGH VOLTAGE

FIELD WIRING

- HIGH VOLTAGE
- LOW VOLTAGE

WIRE CODE

- BK BLACK
- BL BLUE
- BR BROWN
- GR GREEN
- OR ORANGE
- PU PURPLE
- RD RED
- WH WHITE
- YL YELLOW

- JUNCTION
- TERMINAL
- INTERNAL TO INTEGRATED CONTROL
- PLUG CONNECTION
- IGNITER
- SWITCH (PRESS.)
- OVERCURRENT PROT. DEVICE

- EQUIPMENT GROUND
- FIELD GROUND
- FIELD SPLICE
- SWITCH (TEMP)

NOTES:

1. REPLACEMENT WIRE MUST BE SAME SIZE AND TYPE INSULATION AS ORIGINAL (AT LEAST 105°C) USE COPPER CONDUCTOR ONLY.
2. TO CHANGE EVAPORATOR MOTOR SPEED MOVE WHITE AND YELLOW LEADS FROM EM"2" AND "3" TO "4" AND "5". IF BOTH LEADS ARE ENERGIZED, THE HIGHER SPEED SETTING IS USED.
3. FOR 208 VOLT TRANSFORMER OPERATION MOVE PURPLE WIRES FROM TERMINAL 3 TO TERMINAL 2 ON TRANSFORMER.
4. START ASSIST FACTORY EQUIPPED WHEN REQUIRED
5. USE COPPER CONDUCTORS ONLY
++ USE N.E.C. CLASS 2 WIRE
6. CRANKCASE HEATER AND CRANKCASE HEATER SWITCH FACTORY EQUIPPED WHEN REQUIRED.
7. DOUBLE POLE CONTACTOR SHOWN. SINGLE POLE CONTACTOR COULD BE FACTORY EQUIPPED AS AN ALTERNATE CONFIGURATION.
8. COMMON SIDE OF CONTACTOR CAN NOT BE GROUNDED OR CONNECTED TO ANY OTHER COMMON (24V).

SEE UNIT RATING PLATE FOR TYPE AND SIZE OF OVER CURRENT PROTECTION



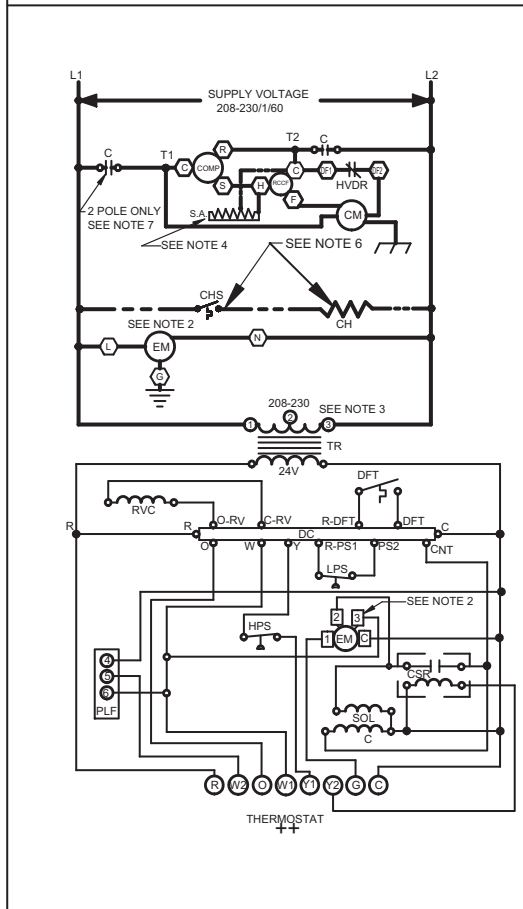
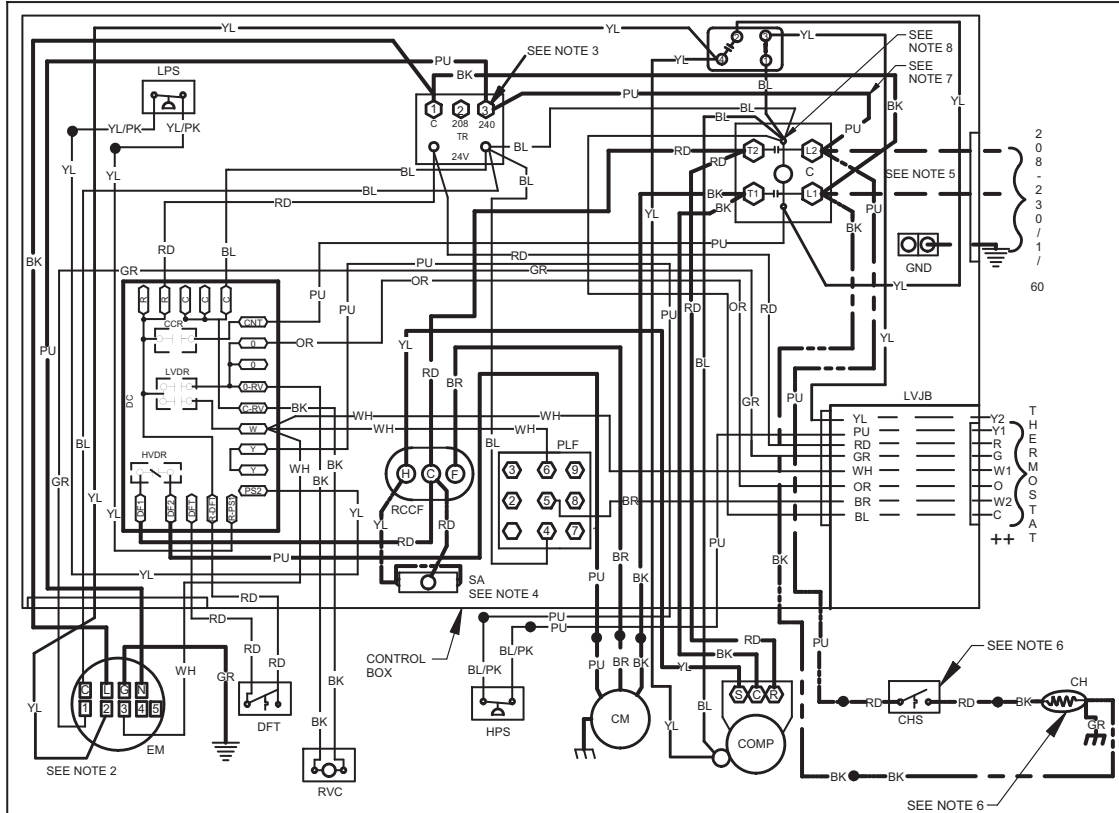
0140G01640-C

Wiring is subject to change. Always refer to the wiring diagram on the unit for the most up-to-date wiring.

WIRING DIAGRAMS


GP HH5[42-60]41** (TWO SPEED APPLICATION)

WARNING
 HIGH VOLTAGE!
 DISCONNECT ALL POWER BEFORE SERVICING OR INSTALLING THIS UNIT. MULTIPLE POWER SOURCES MAY BE PRESENT. FAILURE TO DO SO MAY CAUSE PROPERTY DAMAGE, PERSONAL INJURY OR DEATH.



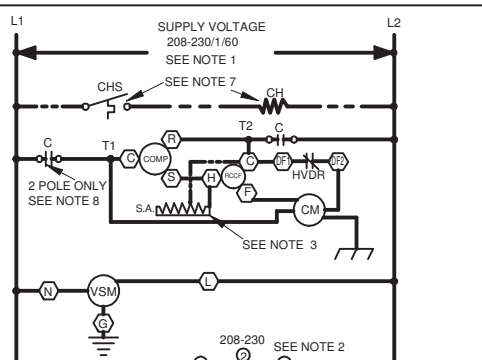
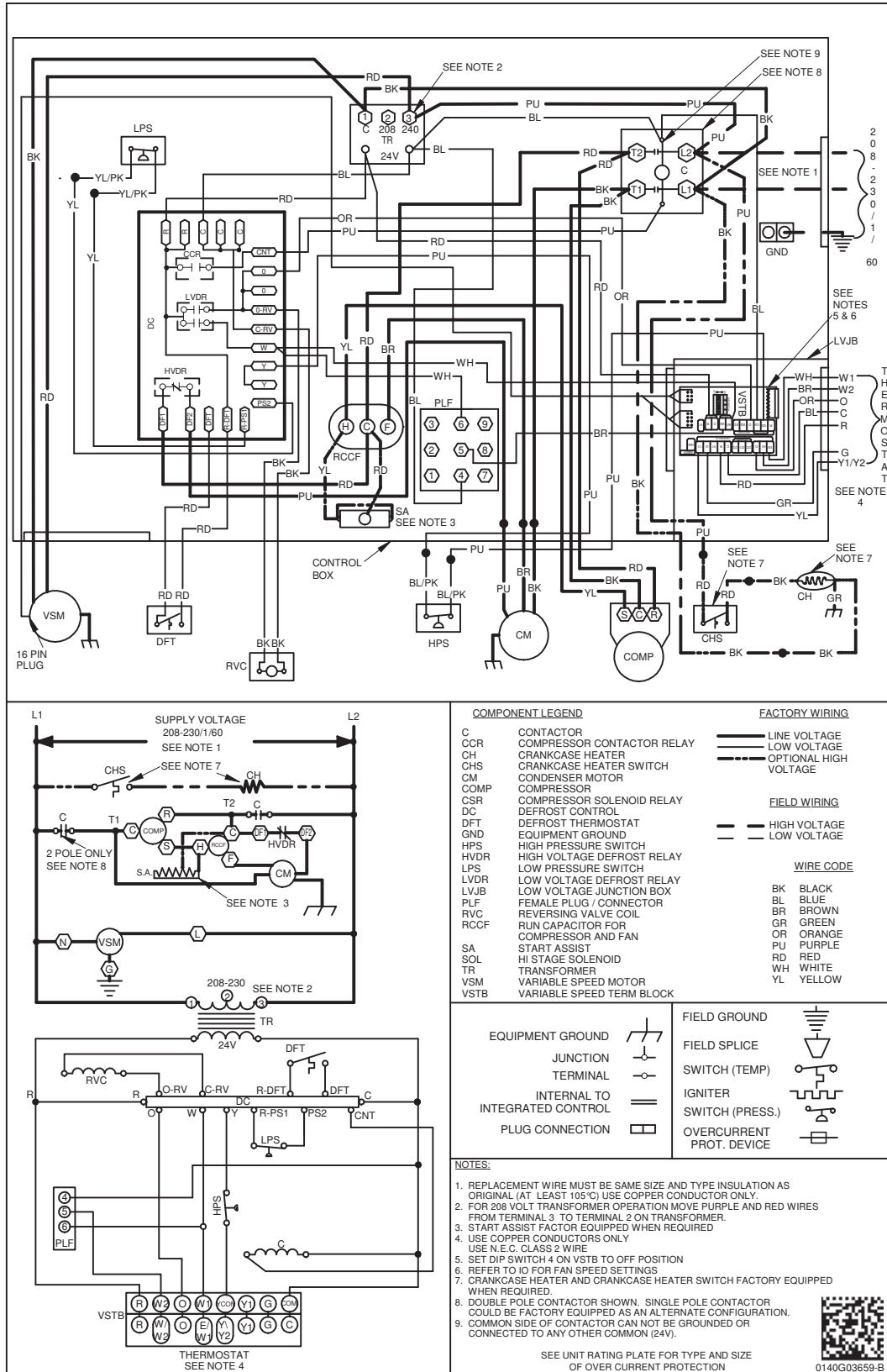
| COMPONENT LEGEND | | FACTORY WIRING |
|------------------|--------------------------------------|-------------------------|
| C | CONTACTOR | — LINE VOLTAGE |
| CCR | COMPRESSOR CONTACTOR RELAY | — LOW VOLTAGE |
| CH | CRANKCASE HEATER | — OPTIONAL HIGH VOLTAGE |
| CHS | CRANKCASE HEATER SWITCH | |
| CM | CONDENSER MOTOR | |
| COMP | COMPRESSOR | |
| DC | DEFROST CONTROL | |
| DFT | DEFROST THERMOSTAT | |
| EM | EVAPORATOR MOTOR | |
| GND | EQUIPMENT GROUND | |
| HVDR | HIGH VOLTAGE DEFROST RELAY | |
| LPS | LOW PRESSURE SWITCH | |
| LVDR | LOW VOLTAGE DEFROST RELAY | |
| LVJB | LOW VOLTAGE JUNCTION BOX | |
| PLF | FEMALE PLUG / CONNECTOR | |
| RVC | REVERSING VALVE COIL | |
| RCCF | RUN CAPACITOR FOR COMPRESSOR AND FAN | |
| SA | START ASSIST | |
| TR | TRANSFORMER | |
| HPS | HIGH PRESSURE SWITCH | |
| CSR | COMPRESSOR SOLENOID RELAY | |
| SOL | HI STAGE SOLENOID | |

| | | | |
|--------------------------------|--|------------------|--|
| JUNCTION | | EQUIPMENT GROUND | |
| TERMINAL | | FIELD GROUND | |
| INTERNAL TO INTEGRATED CONTROL | | FIELD SPICE | |
| PLUG CONNECTION | | SWITCH (TEMP) | |
| IGNITER | | | |
| SWITCH (PRESS.) | | | |
| OVERCURRENT PROT. DEVICE | | | |

- NOTES:**
- REPLACEMENT WIRE MUST BE SAME SIZE AND TYPE INSULATION AS ORIGINAL (AT LEAST 105°C) USE COPPER CONDUCTOR ONLY.
 - TO CHANGE EVAPORATOR MOTOR SPEED MOVE YELLOW AND WHITE LEADS FROM EM"2" AND "3" TO "4" AND "5". IF BOTH LEADS ARE ENERGIZED, THE HIGHER SPEED SETTING IS USED.
 - FOR 208 VOLT TRANSFORMER OPERATION MOVE PURPLE WIRES FROM TERMINAL 3 TO TERMINAL 2 ON TRANSFORMER.
 - START ASSIST FACTORY EQUIPPED WHEN REQUIRED.
 - USE COPPER CONDUCTORS ONLY
 - ++ USE N.E.C. CLASS 2 WIRE
 - CRANKCASE HEATER AND CRANKCASE HEATER SWITCH FACTORY EQUIPPED WHEN REQUIRED.
 - DOUBLE POLE CONTACTOR SHOWN. SINGLE POLE CONTACTOR COULD BE FACTORY EQUIPPED AS AN ALTERNATE CONFIGURATION.
 - COMMON SIDE OF CONTACTOR CAN NOT BE GROUNDED OR CONNECTED TO ANY OTHER COMMON (24V).
- SEE UNIT RATING PLATE FOR TYPE AND SIZE OF OVER CURRENT PROTECTION
- 
- 0140G03658-A

Wiring is subject to change. Always refer to the wiring diagram on the unit for the most up-to-date wiring.

WARNING
 HIGH VOLTAGE!
 DISCONNECT ALL POWER BEFORE SERVICING OR INSTALLING THIS UNIT. MULTIPLE POWER SOURCES MAY BE PRESENT. FAILURE TO DO SO MAY CAUSE PROPERTY DAMAGE, PERSONAL INJURY OR DEATH.



COMPONENT LEGEND

| | | | |
|--------------------------------|--|--------------------------|--|
| EQUIPMENT GROUND | | FIELD GROUND | |
| JUNCTION | | FIELD SPLICE | |
| TERMINAL | | SWITCH (TEMP) | |
| INTERNAL TO INTEGRATED CONTROL | | IGNITER | |
| PLUG CONNECTION | | SWITCH (PRESS.) | |
| | | OVERCURRENT PROT. DEVICE | |

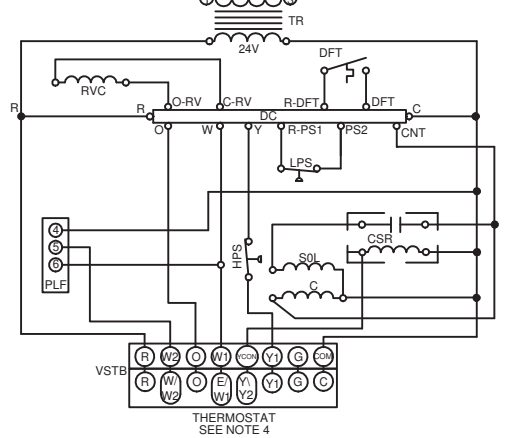
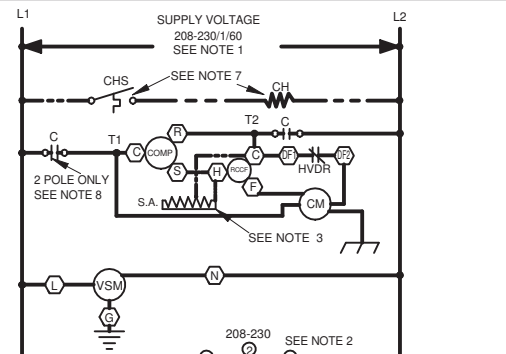
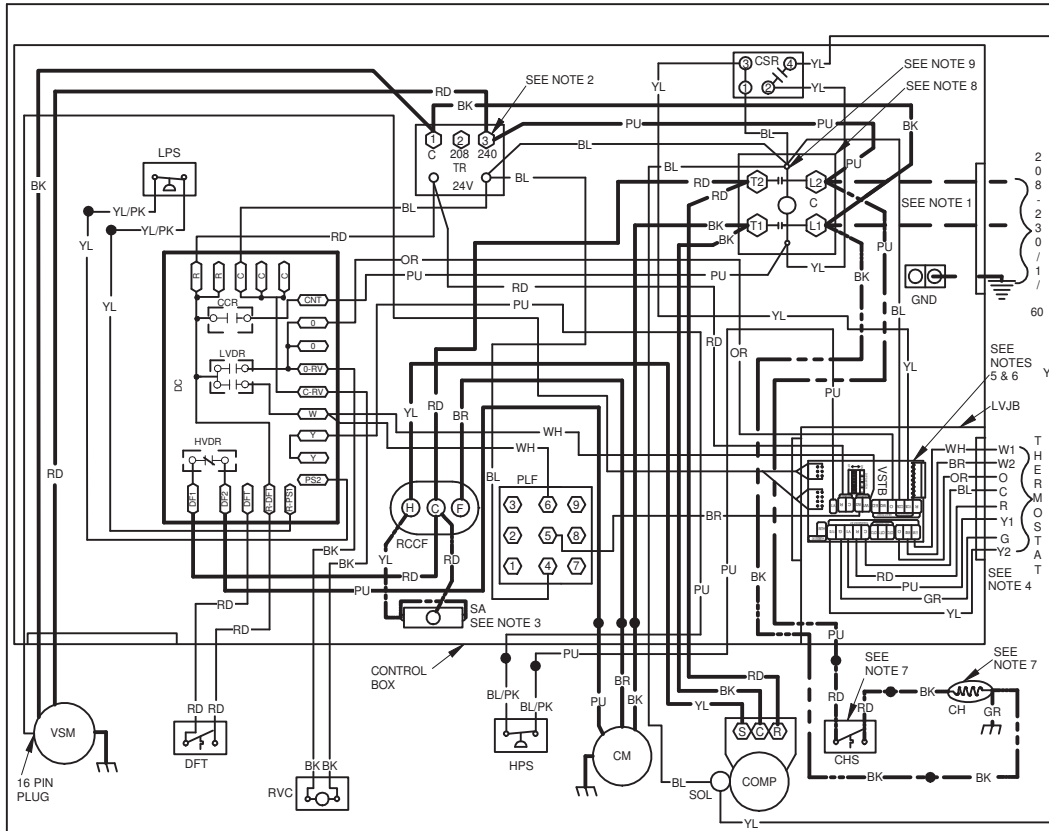
WIRE CODE

| | |
|----|--------|
| BK | BLACK |
| BL | BLUE |
| BR | BROWN |
| GR | GREEN |
| OR | ORANGE |
| PU | PURPLE |
| RD | RED |
| WH | WHITE |
| YL | YELLOW |

- NOTES:**
- REPLACEMENT WIRE MUST BE SAME SIZE AND TYPE INSULATION AS ORIGINAL (AT LEAST 105°C) USE COPPER CONDUCTOR ONLY.
 - FOR 208 VOLT TRANSFORMER OPERATION MOVE PURPLE AND RED WIRES FROM TERMINAL 3 TO TERMINAL 2 ON TRANSFORMER.
 - START ASSIST FACTOR EQUIPPED WHEN REQUIRED
 - USE COPPER CONDUCTORS ONLY USE N.E.C. CLASS 2 WIRE
 - SET DIP SWITCH 4 ON VSTB TO OFF POSITION
 - REFER TO I/O FOR FAN SPEED SETTINGS
 - CRANKCASE HEATER AND CRANKCASE HEATER SWITCH FACTORY EQUIPPED WHEN REQUIRED.
 - DOUBLE POLE CONTACTOR SHOWN. SINGLE POLE CONTACTOR COULD BE FACTORY EQUIPPED AS AN ALTERNATE CONFIGURATION.
 - COMMON SIDE OF CONTACTOR CAN NOT BE GROUNDED OR CONNECTED TO ANY OTHER COMMON (24V).
- SEE UNIT RATING PLATE FOR TYPE AND SIZE OF OVER CURRENT PROTECTION

Wiring is subject to change. Always refer to the wiring diagram on the unit for the most up-to-date wiring.

WARNING
 HIGH VOLTAGE!
 DISCONNECT ALL POWER BEFORE SERVICING OR INSTALLING THIS UNIT. MULTIPLE POWER SOURCES MAY BE PRESENT. FAILURE TO DO SO MAY CAUSE PROPERTY DAMAGE, PERSONAL INJURY OR DEATH.



| COMPONENT LEGEND | | FACTORY WIRING | |
|------------------|--------------------------------------|----------------|-----------------------|
| C | CONTACTOR | — | LINE VOLTAGE |
| CCR | COMPRESSOR CONTACTOR RELAY | - - - | LOW VOLTAGE |
| CH | CRANKCASE HEATER | - · - · - | OPTIONAL HIGH VOLTAGE |
| CHS | CRANKCASE HEATER SWITCH | | |
| CM | CONDENSER MOTOR | | |
| COMP | COMPRESSOR | | |
| CSR | COMPRESSOR SOLENOID RELAY | | |
| DC | DEFROST CONTROL | | |
| DFT | DEFROST THERMOSTAT | | |
| GND | EQUIPMENT GROUND | | |
| HPS | HIGH PRESSURE SWITCH | | |
| HVDR | HIGH VOLTAGE DEFROST RELAY | | |
| LPS | LOW PRESSURE SWITCH | | |
| LVDR | LOW VOLTAGE DEFROST RELAY | | |
| L.V.J.B | LOW VOLTAGE JUNCTION BOX | | |
| PLF | FEMALE PLUG / CONNECTOR | | |
| RVC | REVERSING VALVE COIL | | |
| RCCF | RUN CAPACITOR FOR COMPRESSOR AND FAN | | |
| SA | START ASSIST | | |
| SOL | HI STAGE SOLENOID | | |
| TR | TRANSFORMER | | |
| VSM | VARIABLE SPEED MOTOR | | |
| VSTB | VARIABLE SPEED TERM BLOCK | | |

| FIELD WIRING | | WIRE CODE | |
|--------------|-----------------------|-----------|--------|
| — | HIGH VOLTAGE | BK | BLACK |
| - - - | LOW VOLTAGE | BL | BLUE |
| - · - · - | OPTIONAL HIGH VOLTAGE | BR | BROWN |
| | | GR | GREEN |
| | | OR | ORANGE |
| | | PU | PURPLE |
| | | RD | RED |
| | | WH | WHITE |
| | | YL | YELLOW |

- NOTES:**
- REPLACEMENT WIRE MUST BE SAME SIZE AND TYPE INSULATION AS ORIGINAL (AT LEAST 105°C) USE COPPER CONDUCTOR ONLY.
 - FOR 208 VOLT TRANSFORMER OPERATION MOVE PURPLE AND RED WIRES FROM TERMINAL 3 TO TERMINAL 2 ON TRANSFORMER.
 - START ASSIST FACTOR EQUIPPED WHEN REQUIRED
 - USE COPPER CONDUCTORS ONLY
USE N.E.C. CLASS 2 WIRE
 - SET DIP SWITCH 4 ON VSTB TO OFF POSITION
 - REFER TO IO FOR FAN SPEED SETTINGS
 - CRANKCASE HEATER AND CRANKCASE HEATER SWITCH FACTORY EQUIPPED WHEN REQUIRED.
 - DOUBLE POLE CONTACTOR SHOWN. SINGLE POLE CONTACTOR COULD BE FACTORY EQUIPPED AS AN ALTERNATE CONFIGURATION.
 - COMMON SIDE OF CONTACTOR CAN NOT BE GROUNDED OR CONNECTED TO ANY OTHER COMMON (24V).
- SEE UNIT RATING PLATE FOR TYPE AND SIZE OF OVER CURRENT PROTECTION



Wiring is subject to change. Always refer to the wiring diagram on the unit for the most up-to-date wiring.

CUSTOMER FEEDBACK

We are very interested in all product comments.

Please fill out the feedback form on one of the following links:

Goodman® Brand Products: (<http://www.goodmanmfg.com/about/contact-us>).

Amana® Brand Products: (<http://www.amana-hac.com/about-us/contact-us>).

You can also scan the QR code on the right for the product brand you purchased to be directed to the feedback page.



GOODMAN® BRAND



AMANA® BRAND