



Air Conditioning & Heating

GM9S80/GC9S80

HEATING INPUT : 40,000–120,000 BTU/H

SINGLE-STAGE, MULTI-SPEED ECM,
MULTI-POSITION GAS FURNACE
80% AFUE



Contents

Nomenclature.....	2
Product Specifications.....	3
Dimensions.....	5
Airflow Data.....	7
Wiring Diagrams.....	19
Accessories.....	20
Minimum Filter Sizes.....	20

Standard Features

- Heavy-duty aluminized-steel dual-diameter tubular heat exchanger
- Single-stage gas valve
- Durable Hot-surface igniter
- Quiet, single-speed draft induced
- Self-diagnostic control board
- Color-coded low-voltage terminals
- Multi-speed ECM blower motor
- California Low NOx emissions models available
- Can no longer be installed in California's South Coast Air Quality Management District (SCAQMD) on or after October 1, 2019.
- AHRI Certified; ETL Listed

Cabinet Features

- Installation:
 - GM9S80-upflow, horizontal left or right
 - GC9S80- downflow, horizontal left or right
- Convenient left or right connection for gas and electrical service
- Heavy-gauge steel cabinet with durable baked-enamel finish
- Foil faced insulated heat exchanger

LIFETIME
HEAT EXCHANGER
LIMITED WARRANTY*

2 YEAR
UNIT
REPLACEMENT
LIMITED
WARRANTY*

10 YEAR
PARTS
LIMITED
WARRANTY*



COMPANY WITH
QUALITY SYSTEM
CERTIFIED BY DNV GL
■ ISO 9001 ■

COMPANY WITH
ENVIRONMENTAL SYSTEM
CERTIFIED BY DNV GL
■ ISO 14001 ■



* Complete warranty details available from your local dealer or at www.goodmanmfg.com. To receive the Lifetime Heat Exchanger Limited Warranty (good for as long as you own your home), 2-Year Unit Replacement Limited Warranty and 10-Year Parts Limited Warranty, online registration must be completed within 60 days of installation. Online registration is not required in California or Quebec.

	G	M	9	C	80	060	3	B	N	**	
	1	2	3	4	5,6	7,8,9	10	11	12	13,14	
BRAND	G- Goodman® Brand										ENGINEERING
											Major/Minor Revisions A - Initial Release B - 1st Revision
CONFIGURATION	M- Upflow/Horizontal C- Downflow/Horizontal										NOX
											N = > 40 NG/J NOx X = < 40 NG/J NOx U = < 14NG/J NOx
MOTOR	9- Nine Speed ECM										CABINET WIDTH
											A- 14" C- 21" B- 17½" D- 24½"
GAS VALVE	S- Single Stage C- Two Stage										MAXIMUM CFM
											3- 1200 CFM 4- 1600 CFM 5- 2000 CFM
AFUE	80- 80% AFUE 92- 92% AFUE 96- 96% AFUE 97- 97% AFUE										MBTU/H
											030- 30,000 BTU/h 080- 80,000 BTU/hz 040- 40,000 BTU/h 100- 100,000 BTU/h 060- 60,000 BTU/h 120- 120,000 BTU/h

	GM9S80 0403A*	GM9S80 0603A*	GM9S80 0603B*	GM9S80 0604B*	GM9S80 0803B*	GM9S80 0804B*	GM9S80 0804C*	GM9S80 0805C*	GM9S80 1005C*	GM9S80 1205D*
HEATING CAPACITY										
Input	40,000	60,000	60,000	60,000	80,000	80,000	80,000	80,000	100,000	120,000
Natural Gas Output	32,000	48,000	48,000	48,000	64,000	64,000	64,000	64,000	80,000	96,000
LP Gas Output	32,000	48,000	48,000	48,000	64,000	64,000	64,000	64,000	80,000	96,000
AFUE ¹	80	80	80	80	80	80	80	80	80	80
Available AC @ 0.5" ESP	3	3	3	4	3	4	4	5	5	5
Temperature Rise Range (°F)	25-55	20-50	20-50	20-50	35-65	35-65	35-65	35-65	35-65	40-70
CIRCULATOR BLOWER										
Size (D x W)	10" x 6"	10" x 6"	10" x 8"	10" x 8"	10" x 8"	10" x 8"	10" x 10"	10" x 10"	10" x 10"	10" x 10"
Horsepower @1075 RPM	0.5	0.5	0.5	0.75	0.5	0.75	0.75	0.75	0.75	1
Speed	9	9	9	9	9	9	9	9	9	9
Vent Diameter ²	4"	4"	4"	4"	4"	4"	4"	4"	4"	4"
No. of Burners	2	3	3	3	4	4	4	4	5	6
ELECTRICAL DATA										
Min. Circuit Ampacity ³	8.7	8.7	8.7	12.45	8.7	12.45	12.45	12.45	12.45	15.3
Max. Overcurrent Device (amps) ⁴	15	15	15	15	15	15	15	15	15	20
SHIP WEIGHT (LBS)										
	86	90	100	108	116	120	132	132	132	132

¹ DOE AFUE based upon Isolated Combustion System (ICS)

² Vent and combustion air diameters may vary depending upon vent length. Refer to the latest editions of the National Fuel Gas Code NFPA 54/ANSI Z223.1 (in the USA) and the Canada National Standard of Canada, CAN/CSA B149.1 and CAN/CSA B142.2 (in Canada).

³ Minimum Circuit Ampacity = (1.25 x Circulator Blower Amps) + ID Blower amps. Wire size should be determined in accordance with National Electrical Codes. Extensive wire runs will require larger wire sizes.

⁴ Maximum Overcurrent Protection Device refers to maximum recommended fuse or circuit breaker size. May use fuses or HACR-type circuit breakers of the same size as noted.

NOTES

- All furnaces are manufactured for use on 115 VAC, 60 Hz, single-phase electrical supply.
- Gas Service Connection ½" FPT
- Important: Size fuses and wires properly and make electrical connections in accordance with the National Electrical Code and/or all existing local codes.

	GC9S80 0403A*	GC9S80 0603A*	GC9S80 0804B*	GC9S80 0805C*	GC9S80 1005C*
HEATING CAPACITY					
Input	40,000	60,000	80,000	80,000	100,000
Natural Gas Output	32,000	48,000	64,000	64,000	80,000
LP Gas Output	32,000	48,000	64,000	64,000	80,000
AFUE ¹	80	80	80	80	80
Available AC @ 0.5" ESP	3	3	4	5	5
Temperature Rise Range (°F)	25-55	30-60	35-65	35-65	40-70
CIRCULATOR BLOWER					
Size (D x W)	10" X 6"	10" X 6"	10" X 8"	10" X 10"	10" X 10"
Horsepower @1075 RPM	1/2	1/2	3/4	1	1
Speed	9	9	9	9	9
Vent Diameter ²	4"	4"	4"	4"	4"
No. of Burners	2	3	4	4	5
ELECTRICAL DATA					
Min. Circuit Ampacity ³	8.7	8.7	12.45	15.3	15.3
Max. Overcurrent Device (amps) ⁴	15	15	15	20	20
SHIP WEIGHT (LBS)					
	90	94	107	115	115

¹ DOE AFUE based upon Isolated Combustion System (ICS)

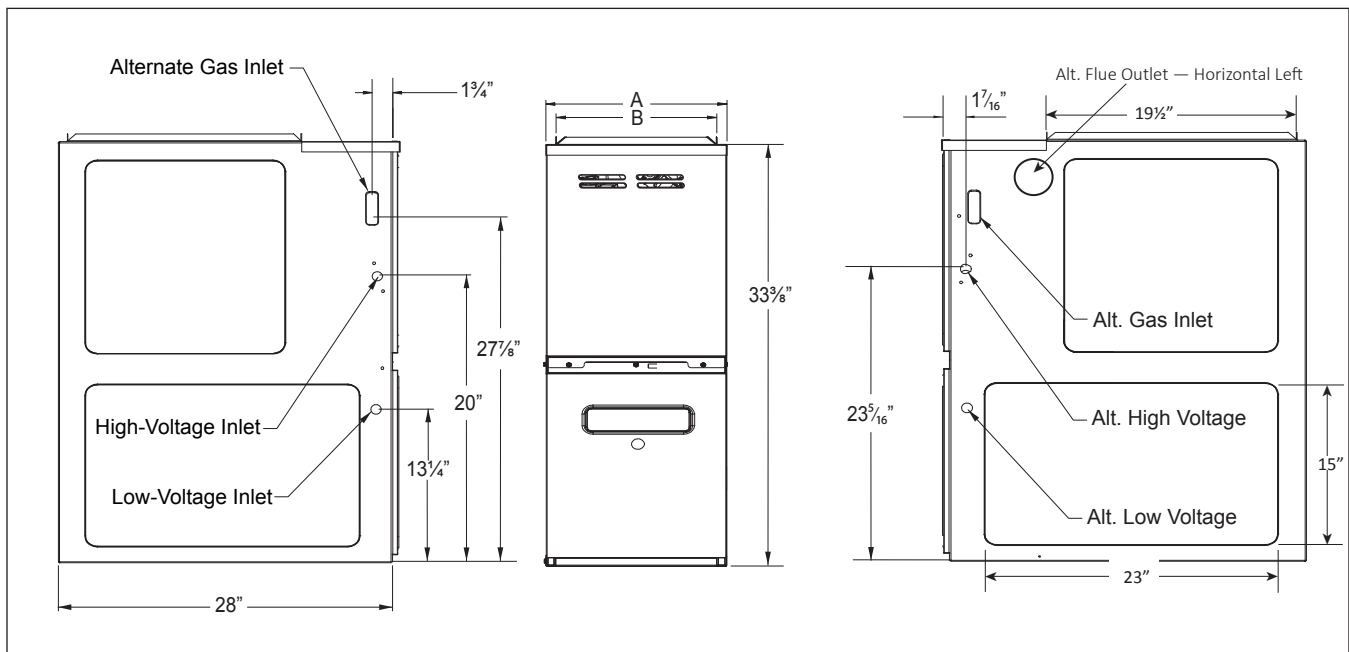
² Vent and combustion air diameters may vary depending upon vent length. Refer to the latest editions of the National Fuel Gas Code NFPA 54/ANSI Z223.1 (in the USA) and the Canada National Standard of Canada, CAN/CSA B149.1 and CAN/CSA B142.2 (in Canada).

³ Minimum Circuit Ampacity = (1.25 x Circulator Blower Amps) + ID Blower amps. Wire size should be determined in accordance with National Electrical Codes. Extensive wire runs will require larger wire sizes.

⁴ Maximum Overcurrent Protection Device refers to maximum recommended fuse or circuit breaker size. May use fuses or HACR-type circuit breakers of the same size as noted.

NOTES

- All furnaces are manufactured for use on 115 VAC, 60 Hz, single-phase electrical supply.
- Gas Service Connection ½" FPT
- Important: Size fuses and wires properly and make electrical connections in accordance with the National Electrical Code and/or all existing local codes.



MODEL	A	B
GM9S800403A*	14"	12 1/2"
GM9S800603A*	14"	12 1/2"
GM9S800603B*	17 1/2"	16"
GM9S800604B*	17 1/2"	16"
GM9S800803B*	17 1/2"	16"

MODEL	A	B
GM9S800804B*	17 1/2"	16"
GM9S800804C*	21"	19 1/2"
GM9S800805C*	21"	19 1/2"
GM9S801005C*	21"	19 1/2"
GM9S801205D*	24 1/2"	23"

NOTES

- Line voltage wiring can enter through the right or left side of furnace. Low-voltage wiring can enter through the right or left side of furnace.
- Conversion kits for high-altitude (4500+ ft) natural gas operation are available. Contact your Goodman distributor or dealer for details.
- Installer must supply the following gas line fittings, according to which entrance is used:
 Left: One 90° street elbow; one 2 1/2" pipe nipple; one 90° elbow; straight pipe; one ground joint union
 Right: Straight pipe to reach gas valve

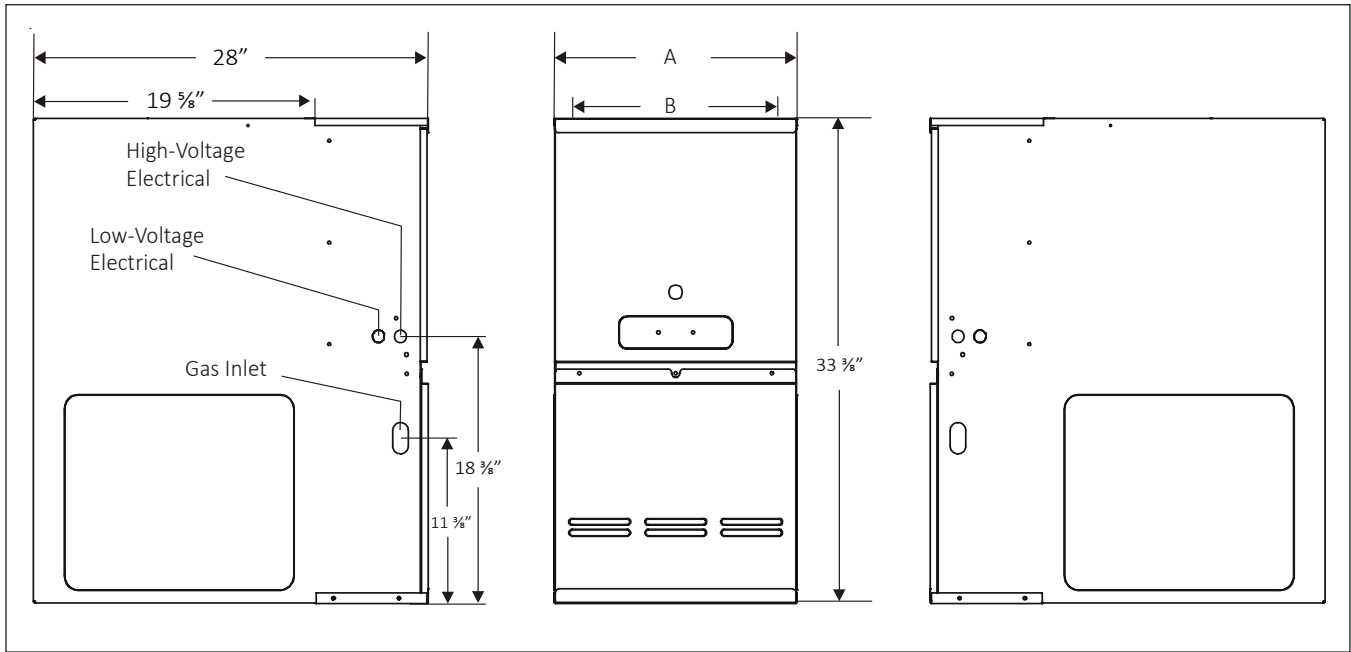
MINIMUM CLEARANCES TO COMBUSTIBLE MATERIALS

SIDES	REAR	FRONT ¹	VENT ²		TOP
			SW	B	
1"	0"	3"	6"	1"	1"

¹ 24" clearance for serviceability recommended.

² Single Wall Vent (SW) to be used only as a connector. Refer to the latest editions of the National Fuel Gas Code NFPA 54/ ANSI Z223.1 (in the USA) and the Canada National Standard of Canada, CAN/CSA B149.1 and CAN/CSA B142.2 (in Canada).

Note: AMES80 approved for line contact in the horizontal position.



MODEL	A	B	NON-COMBUSTIBLE FLOOR BASE
GC9S800403A*	14"	12½"	SBT14
GC9S800603A*	14"	12½"	SBT14
GC9S800804B*	17½"	16"	SBT17
GC9S800805C*	21"	19½"	SBT17
GC9S801005C*	21"	19½"	SBT21

NOTES

- Line voltage wiring can enter through the right or left side of furnace. Low-voltage wiring can enter through the right or left side of furnace.
- Conversion kits for high-altitude (4500+ ft) natural gas operation are available. Contact your Goodman distributor or dealer for details.

MINIMUM CLEARANCES TO COMBUSTIBLE MATERIALS

SIDES	REAR	FRONT ¹	VENT ²		TOP
			SW	B	
1"	0"	3"	6"	1"	1"

¹ 24" clearance for serviceability recommended.

² Single Wall Vent (SW) to be used only as a connector. Refer to the latest editions of the National Fuel Gas Code NFPA 54/ ANSI Z223.1 (in the USA) and the Canada National Standard of Canada, CAN/CSA B149.1 and CAN/CSA B142.2 (in Canada).

Note: GMES80 approved for line contact in the horizontal position.

LOW STAGE COOLING AIRFLOW										
MODEL	THER-MOSTAT CALL	TAP #	EXTERNAL STATIC PRESSURE, (INCHES WATER COLUMN)							
			0.1	0.2	0.3	0.4	0.5	0.6	0.7	0.8
			CFM	CFM	CFM	CFM	CFM	CFM	CFM	CFM
GM9S80 0403A*	Y/Y1	F01	658	585	545	495	444	390	332	151
		F02	749	697	652	607	554	509	459	406
		F03	925	881	840	800	760	721	681	645
		F04^	882	841	800	760	719	678	641	602
		F05	1330	1295	1273	1251	1223	1195	1168	1142
		F06	1130	1090	1059	1022	991	957	926	895
		F07	1158	1113	1090	1057	1024	996	964	935
		F08	1270	1235	1208	1179	1147	1119	1088	1060
		F09	1417	1380	1359	1336	1314	1288	1261	1238
GM9S80 0603A*	Y/Y1	F01	659	599	542	490	437	383	320	N/A
		F02	1268	1221	1188	1154	1122	1091	1060	1029
		F03	1087	1044	1008	973	938	905	871	841
		F04^	1118	1070	1033	997	963	929	896	865
		F05	1308	1262	1224	1197	1167	1141	1117	1089
		F06	868	823	780	741	699	662	624	584
		F07	922	877	835	795	757	718	679	642
		F08	1382	1341	1311	1291	1263	1234	1206	1177
		F09	1492	1448	1409	1381	1354	1332	1310	1288
GM9S80 0603B*	Y/Y1	F01	720	660	614	542	468	413	359	313
		F02	1289	1260	1232	1194	1161	1125	1087	1073
		F03	1125	1089	1052	1013	973	947	909	863
		F04^	1252	1198	1153	1110	1069	1028	990	953
		F05	922	872	830	786	736	683	616	565
		F06	1146	1113	1076	1039	1002	969	933	891
		F07	1370	1345	1317	1286	1260	1224	1187	1168
		F08	1413	1386	1360	1330	1302	1270	1242	1211
		F09	1544	1500	1459	1419	1387	1349	1317	1286
GM9S80 0604B*	Y/Y1	F01	764	695	630	559	485	415	358	N/A
		F02	1287	1235	1191	1147	1104	1062	1020	979
		F03	1339	1301	1258	1217	1174	1131	1090	1048
		F04^	1396	1346	1298	1257	1217	1175	1135	1098
		F05	1185	1135	1088	1040	992	947	901	855
		F06	1500	1460	1420	1360	1380	1294	1256	1219
		F07	1591	1539	1493	1454	1416	1379	1347	1311
		F08	1675	1622	1583	1545	1510	1474	1440	1402
		F09	1790	1741	1701	1668	1631	1599	1567	1532
GM9S80 0803B*	Y/Y1	F01	710	646	580	515	432	367	314	274
		F02	1298	1255	1216	1178	1140	1102	1067	1028
		F03	1209	1166	1124	1083	1045	1005	964	923
		F04^	1138	1091	1045	1001	959	920	876	832
		F05	1391	1352	1314	1278	1241	1209	1175	1140
		F06	977	931	880	836	785	734	683	626
		F07	1036	985	940	895	848	799	751	705
		F08	1456	1414	1376	1341	1302	1270	1238	1200
		F09	1533	1488	1452	1415	1383	1350	1317	1286

Note: ^ DEFAULT SPEED

GM9S80 LOW STAGE COOLING AIRFLOW DATA (CONT.)

LOW STAGE COOLING AIRFLOW										
MODEL	THER-MOSTAT CALL	TAP #	EXTERNAL STATIC PRESSURE, (INCHES WATER COLUMN)							
			0.1	0.2	0.3	0.4	0.5	0.6	0.7	0.8
			CFM	CFM	CFM	CFM	CFM	CFM	CFM	CFM
GM9S80 0804B*	Y/Y1	F01	841	657	595	522	439	367	315	N/A
		F02	1141	1089	1045	1001	958	914	869	823
		F03	1311	1267	1226	1189	1150	1114	1072	1034
		F04^	1395	1347	1309	1270	1233	1199	1164	1125
		F05	1490	1447	1407	1373	1336	1303	1269	1237
		F06	1553	1510	1469	1435	1401	1368	1335	1300
		F07	1593	1548	1508	1474	1440	1409	1376	1343
		F08	1776	1735	1695	1661	1628	1601	1570	1542
		F09	1853	1812	1773	1739	1708	1679	1650	1623
GM9S80 0804C*	Y/Y1	F01	831	750	671	588	501	405	348	300
		F02	1214	1158	1103	1045	989	936	883	823
		F03	1303	1249	1191	1136	1081	1028	974	928
		F04^	1426	1375	1324	1277	1229	1177	1124	1078
		F05	1518	1465	1418	1372	1328	1284	1237	1195
		F06	1588	1539	1494	1447	1401	1358	1313	1267
		F07	1710	1666	1632	1595	1554	1512	1473	1431
		F08	1785	1751	1717	1675	1639	1596	1557	1516
		F09	1845	1805	1771	1733	1695	1655	1618	1576
GM9S80 0805C*	Y/Y1	F01	837	752	671	576	501	426	361	315
		F02	1316	1270	1218	1166	1114	1061	1000	962
		F03	1353	1323	1286	1235	1183	1131	1085	1040
		F04^	1587	1544	1506	1459	1416	1372	1323	1281
		F05	1731	1673	1632	1587	1546	1506	1463	1421
		F06	1794	1744	1709	1671	1632	1591	1555	1513
		F07	1861	1805	1761	1720	1681	1642	1603	1565
		F08	1910	1873	1839	1798	1761	1723	1686	1648
		F09	2110	2055	2035	2003	1973	1946	1907	1890
GM9S80 1005C*	Y/Y1	F01	802	724	637	551	468	389	342	294
		F02	1405	1356	1308	1262	1210	1182	1155	1102
		F03	1574	1531	1484	1440	1392	1357	1306	1256
		F04^	1619	1575	1526	1489	1446	1404	1355	1313
		F05	1688	1641	1600	1557	1513	1477	1428	1381
		F06	1811	1769	1730	1686	1649	1610	1572	1525
		F07	1857	1812	1774	1733	1697	1662	1622	1586
		F08	1892	1850	1805	1774	1735	1692	1658	1621
		F09	2116	2073	2039	2005	1981	1945	1909	1879
GM9S80 1205D*	Y/Y1	F01	851	774	692	615	535	470	411	359
		F02	1677	1629	1583	1540	1498	1449	1399	1349
		F03	1537	1489	1444	1404	1365	1322	1272	1211
		F04^	1416	1365	1315	1267	1220	1163	1106	1048
		F05	1154	1098	1043	983	932	874	819	755
		F06	1806	1764	1729	1688	1654	1615	1578	1535
		F07	1869	1816	1773	1731	1693	1661	1629	1589
		F08	1947	1903	1865	1833	1802	1769	1743	1708
		F09	2107	2066	2030	1996	1963	1932	1899	1867

Note: ^ DEFAULT SPEED

HIGH STAGE COOLING AIFLOW										
MODEL	THER-MOSTAT CALL	TAP #	EXTERNAL STATIC PRESSURE, (INCHES WATER COLUMN)							
			0.1	0.2	0.3	0.4	0.5	0.6	0.7	0.8
			CFM	CFM	CFM	CFM	CFM	CFM	CFM	CFM
GM9S80 0403A*	Y2	F01	658	585	545	495	444	390	332	151
		F02	749	697	652	607	554	509	459	406
		F03	925	881	840	800	760	721	681	645
		F04	882	841	800	760	719	678	641	602
		F05^	1330	1295	1273	1251	1223	1195	1168	1142
		F06	1130	1090	1059	1022	991	957	926	895
		F07	1158	1113	1090	1057	1024	996	964	935
		F08	1270	1235	1208	1179	1147	1119	1088	1060
		F09	1417	1380	1359	1336	1314	1288	1261	1238
GM9S80 0603A*	Y2	F01	659	599	542	490	437	383	320	N/A
		F02	1268	1221	1188	1154	1122	1091	1060	1029
		F03	1087	1044	1008	973	938	905	871	841
		F04	1118	1070	1033	997	963	929	896	865
		F05^	1308	1262	1224	1197	1167	1141	1117	1089
		F06	868	823	780	741	699	662	624	584
		F07	922	877	835	795	757	718	679	642
		F08	1382	1341	1311	1291	1263	1234	1206	1177
		F09	1492	1448	1409	1381	1354	1332	1310	1288
GM9S80 0603B*	Y2	F01	720	660	614	542	468	413	359	313
		F02	1289	1260	1232	1194	1161	1125	1087	1073
		F03	1125	1089	1052	1013	973	947	909	863
		F04	1252	1198	1153	1110	1069	1028	990	953
		F05^	922	872	830	786	736	683	616	565
		F06	1146	1113	1076	1039	1002	969	933	891
		F07	1370	1345	1317	1286	1260	1224	1187	1168
		F08	1413	1386	1360	1330	1302	1270	1242	1211
		F09	1544	1500	1459	1419	1387	1349	1317	1286
GM9S80 0604B*	Y2	F01	764	695	630	559	485	415	358	N/A
		F02	1287	1235	1191	1147	1104	1062	1020	979
		F03	1339	1301	1258	1217	1174	1131	1090	1048
		F04	1396	1346	1298	1257	1217	1175	1135	1098
		F05^	1185	1135	1088	1040	992	947	901	855
		F06	1500	1460	1420	1360	1380	1294	1256	1219
		F07	1591	1539	1493	1454	1416	1379	1347	1311
		F08	1675	1622	1583	1545	1510	1474	1440	1402
		F09	1790	1741	1701	1668	1631	1599	1567	1532
GM9S80 0803B*	Y2	F01	710	646	580	515	432	367	314	274
		F02	1298	1255	1216	1178	1140	1102	1067	1028
		F03	1209	1166	1124	1083	1045	1005	964	923
		F04	1138	1091	1045	1001	959	920	876	832
		F05^	1391	1352	1314	1278	1241	1209	1175	1140
		F06	977	931	880	836	785	734	683	626
		F07	1036	985	940	895	848	799	751	705
		F08	1456	1414	1376	1341	1302	1270	1238	1200
		F09	1533	1488	1452	1415	1383	1350	1317	1286

Note: ^ DEFAULT SPEED

GM9S80 HIGH STAGE COOLING AIRFLOW DATA (CONT.)

HIGH STAGE COOLING AIFLOW										
MODEL	THER-MOSTAT CALL	TAP #	EXTERNAL STATIC PRESSURE, (INCHES WATER COLUMN)							
			0.1	0.2	0.3	0.4	0.5	0.6	0.7	0.8
			CFM	CFM	CFM	CFM	CFM	CFM	CFM	CFM
GM9S80 0804B*	Y2	F01	841	657	595	522	439	367	315	N/A
		F02	1141	1089	1045	1001	958	914	869	823
		F03	1311	1267	1226	1189	1150	1114	1072	1034
		F04	1395	1347	1309	1270	1233	1199	1164	1125
		F05^	1490	1447	1407	1373	1336	1303	1269	1237
		F06	1553	1510	1469	1435	1401	1368	1335	1300
		F07	1593	1548	1508	1474	1440	1409	1376	1343
		F08	1776	1735	1695	1661	1628	1601	1570	1542
		F09	1853	1812	1773	1739	1708	1679	1650	1623
GM9S80 0804C*	Y2	F01	831	750	671	588	501	405	348	300
		F02	1214	1158	1103	1045	989	936	883	823
		F03	1303	1249	1191	1136	1081	1028	974	928
		F04	1426	1375	1324	1277	1229	1177	1124	1078
		F05^	1518	1465	1418	1372	1328	1284	1237	1195
		F06	1588	1539	1494	1447	1401	1358	1313	1267
		F07	1710	1666	1632	1595	1554	1512	1473	1431
		F08	1785	1751	1717	1675	1639	1596	1557	1516
		F09	1845	1805	1771	1733	1695	1655	1618	1576
GM9S80 0805C*	Y2	F01	837	752	671	576	501	426	361	315
		F02	1316	1270	1218	1166	1114	1061	1000	962
		F03	1353	1323	1286	1235	1183	1131	1085	1040
		F04	1587	1544	1506	1459	1416	1372	1323	1281
		F05^	1731	1673	1632	1587	1546	1506	1463	1421
		F06	1794	1744	1709	1671	1632	1591	1555	1513
		F07	1861	1805	1761	1720	1681	1642	1603	1565
		F08	1910	1873	1839	1798	1761	1723	1686	1648
		F09	2110	2055	2035	2003	1973	1946	1907	1890
GM9S80 1005C*	Y2	F01	802	724	637	551	468	389	342	294
		F02	1405	1356	1308	1262	1210	1182	1155	1102
		F03	1574	1531	1484	1440	1392	1357	1306	1256
		F04	1619	1575	1526	1489	1446	1404	1355	1313
		F05^	1688	1641	1600	1557	1513	1477	1428	1381
		F06	1811	1769	1730	1686	1649	1610	1572	1525
		F07	1857	1812	1774	1733	1697	1662	1622	1586
		F08	1892	1850	1805	1774	1735	1692	1658	1621
		F09	2116	2073	2039	2005	1981	1945	1909	1879
GM9S80 1205D*	Y2	F01	851	774	692	615	535	470	411	359
		F02	1677	1629	1583	1540	1498	1449	1399	1349
		F03	1537	1489	1444	1404	1365	1322	1272	1211
		F04	1416	1365	1315	1267	1220	1163	1106	1048
		F05^	1154	1098	1043	983	932	874	819	755
		F06	1806	1764	1729	1688	1654	1615	1578	1535
		F07	1869	1816	1773	1731	1693	1661	1629	1589
		F08	1947	1903	1865	1833	1802	1769	1743	1708
		F09	2107	2066	2030	1996	1963	1932	1899	1867

RECOMMENDED AIRFLOW SPEEDS FOR CONNECTION WITH 2 STAGE OUTDOOR MODELS		
FURNACE MODEL	Y2	Y1
M9S800805C	F08	F02
M9S801205D	F06	F05

Note: ^ DEFAULT SPEED

CIRCULATION AIRFLOW										
MODEL	THER-MOSTAT CALL	TAP #	EXTERNAL STATIC PRESSURE, (INCHES WATER COLUMN)							
			0.1	0.2	0.3	0.4	0.5	0.6	0.7	0.8
			CFM	CFM	CFM	CFM	CFM	CFM	CFM	CFM
GM9S80 0403A*	G	F01	658	585	545	495	444	390	332	151
		F02	749	697	652	607	554	509	459	406
		F03	925	881	840	800	760	721	681	645
		F04	882	841	800	760	719	678	641	602
		F05	1330	1295	1273	1251	1223	1195	1168	1142
		F06	1130	1090	1059	1022	991	957	926	895
		F07	1158	1113	1090	1057	1024	996	964	935
		F08	1270	1235	1208	1179	1147	1119	1088	1060
		F09	1417	1380	1359	1336	1314	1288	1261	1238
GM9S80 0603A*	G	F01	659	599	542	490	437	383	320	N/A
		F02	1268	1221	1188	1154	1122	1091	1060	1029
		F03	1087	1044	1008	973	938	905	871	841
		F04	1118	1070	1033	997	963	929	896	865
		F05	1308	1262	1224	1197	1167	1141	1117	1089
		F06	868	823	780	741	699	662	624	584
		F07	922	877	835	795	757	718	679	642
		F08	1382	1341	1311	1291	1263	1234	1206	1177
		F09	1492	1448	1409	1381	1354	1332	1310	1288
GM9S80 0603B*	G	F01	720	660	614	542	468	413	359	313
		F02	1289	1260	1232	1194	1161	1125	1087	1073
		F03	1125	1089	1052	1013	973	947	909	863
		F04	1252	1198	1153	1110	1069	1028	990	953
		F05	922	872	830	786	736	683	616	565
		F06	1146	1113	1076	1039	1002	969	933	891
		F07	1370	1345	1317	1286	1260	1224	1187	1168
		F08	1413	1386	1360	1330	1302	1270	1242	1211
		F09	1544	1500	1459	1419	1387	1349	1317	1286
GM9S80 0604B*	G	F01	764	695	630	559	485	415	358	N/A
		F02	1287	1235	1191	1147	1104	1062	1020	979
		F03	1339	1301	1258	1217	1174	1131	1090	1048
		F04	1396	1346	1298	1257	1217	1175	1135	1098
		F05	1185	1135	1088	1040	992	947	901	855
		F06	1500	1460	1420	1360	1380	1294	1256	1219
		F07	1591	1539	1493	1454	1416	1379	1347	1311
		F08	1675	1622	1583	1545	1510	1474	1440	1402
		F09	1790	1741	1701	1668	1631	1599	1567	1532
GM9S80 0803B*	G	F01	710	646	580	515	432	367	314	274
		F02	1298	1255	1216	1178	1140	1102	1067	1028
		F03	1209	1166	1124	1083	1045	1005	964	923
		F04	1138	1091	1045	1001	959	920	876	832
		F05	1391	1352	1314	1278	1241	1209	1175	1140
		F06	977	931	880	836	785	734	683	626
		F07	1036	985	940	895	848	799	751	705
		F08	1456	1414	1376	1341	1302	1270	1238	1200
		F09	1533	1488	1452	1415	1383	1350	1317	1286

Note: ^ DEFAULT SPEED

GM9S80 CIRCULATION AIRFLOW DATA (CONT.)

CIRCULATION AIRFLOW										
MODEL	THER-MOSTAT CALL	TAP #	EXTERNAL STATIC PRESSURE, (INCHES WATER COLUMN)							
			0.1	0.2	0.3	0.4	0.5	0.6	0.7	0.8
			CFM	CFM	CFM	CFM	CFM	CFM	CFM	CFM
GM9S80 0804B*	G	F01	841	657	595	522	439	367	315	N/A
		F02	1141	1089	1045	1001	958	914	869	823
		F03	1311	1267	1226	1189	1150	1114	1072	1034
		F04	1395	1347	1309	1270	1233	1199	1164	1125
		F05	1490	1447	1407	1373	1336	1303	1269	1237
		F06	1553	1510	1469	1435	1401	1368	1335	1300
		F07	1593	1548	1508	1474	1440	1409	1376	1343
		F08	1776	1735	1695	1661	1628	1601	1570	1542
		F09	1853	1812	1773	1739	1708	1679	1650	1623
GM9S80 0804C*	G	F01	831	750	671	588	501	405	348	300
		F02	1214	1158	1103	1045	989	936	883	823
		F03	1303	1249	1191	1136	1081	1028	974	928
		F04	1426	1375	1324	1277	1229	1177	1124	1078
		F05	1518	1465	1418	1372	1328	1284	1237	1195
		F06	1588	1539	1494	1447	1401	1358	1313	1267
		F07	1710	1666	1632	1595	1554	1512	1473	1431
		F08	1785	1751	1717	1675	1639	1596	1557	1516
		F09	1845	1805	1771	1733	1695	1655	1618	1576
GM9S80 0805C*	G	F01	837	752	671	576	501	426	361	315
		F02	1316	1270	1218	1166	1114	1061	1000	962
		F03	1353	1323	1286	1235	1183	1131	1085	1040
		F04	1587	1544	1506	1459	1416	1372	1323	1281
		F05	1731	1673	1632	1587	1546	1506	1463	1421
		F06	1794	1744	1709	1671	1632	1591	1555	1513
		F07	1861	1805	1761	1720	1681	1642	1603	1565
		F08	1910	1873	1839	1798	1761	1723	1686	1648
		F09	2110	2055	2035	2003	1973	1946	1907	1890
GM9S80 1005C*	G	F01	802	724	637	551	468	389	342	294
		F02	1405	1356	1308	1262	1210	1182	1155	1102
		F03	1574	1531	1484	1440	1392	1357	1306	1256
		F04	1619	1575	1526	1489	1446	1404	1355	1313
		F05	1688	1641	1600	1557	1513	1477	1428	1381
		F06	1811	1769	1730	1686	1649	1610	1572	1525
		F07	1857	1812	1774	1733	1697	1662	1622	1586
		F08	1892	1850	1805	1774	1735	1692	1658	1621
		F09	2116	2073	2039	2005	1981	1945	1909	1879
GM9S80 1205D*	G	F01	851	774	692	615	535	470	411	359
		F02	1677	1629	1583	1540	1498	1449	1399	1349
		F03	1537	1489	1444	1404	1365	1322	1272	1211
		F04	1416	1365	1315	1267	1220	1163	1106	1048
		F05	1154	1098	1043	983	932	874	819	755
		F06	1806	1764	1729	1688	1654	1615	1578	1535
		F07	1869	1816	1773	1731	1693	1661	1629	1589
		F08	1947	1903	1865	1833	1802	1769	1743	1708
		F09	2107	2066	2030	1996	1963	1932	1899	1867

Note: ^ DEFAULT SPEED

HEATING AIRFLOW											
MODEL	THER-MOSTAT CALL	TAP #	EXTERNAL STATIC PRESSURE, (INCHES WATER COLUMN)								
			0.1		0.2		0.3		0.4		0.5
			CFM	RISE	CFM	RISE	CFM	RISE	CFM	RISE	CFM
GM9S80 0403A*	W/W1	F01^^	658	N/A	585	N/A	545	N/A	495	N/A	444
		F02^	749	40	697	42	652	45	607	49	554
		F03	925	32	881	34	840	35	800	37	760
		F04	882	34	841	35	800	37	760	39	719
GM9S80 0603A*	W/W1	F01^^	659	N/A	599	N/A	542	N/A	490	N/A	437
		F02^	1268	35	1221	36	1188	37	1154	38	1122
		F03	1087	41	1044	43	1008	44	973	46	938
		F04	1118	40	1070	42	1033	43	997	45	963
GM9S80 0603B*	W/W1	F01^^	720	N/A	660	N/A	614	N/A	542	N/A	468
		F02^	1289	34	1260	35	1232	36	1194	37	1161
		F03	1125	40	1089	41	1052	42	1013	44	973
		F04	1252	36	1198	37	1153	39	1110	40	1069
GM9S80 0604B*	W/W1	F01^^	764	N/A	695	N/A	630	N/A	559	N/A	485
		F02^	1287	35	1235	36	1191	37	1147	39	1104
		F03	1339	33	1301	34	1258	35	1217	37	1174
		F04	1396	32	1346	33	1298	34	1257	35	1217
GM9S80 0803B*	W/W1	F01^^	710	N/A	646	N/A	580	N/A	515	N/A	432
		F02^	1298	46	1255	47	1216	49	1178	50	1140
		F03	1209	49	1166	51	1124	53	1083	55	1045
		F04	1138	52	1091	54	1045	57	1001	59	959
GM9S80 0804B*	W/W1	F01^^	841	N/A	657	N/A	595	N/A	522	N/A	439
		F02^	1141	52	1089	54	1045	57	1001	59	958
		F03	1311	45	1267	47	1226	48	1189	50	1150
		F04	1395	42	1347	44	1309	45	1270	47	1233
GM9S80 0804C*	W/W1	F01^^	831	N/A	750	N/A	671	N/A	588	N/A	501
		F02^	1214	49	1158	51	1103	54	1045	57	989
		F03	1303	45	1249	47	1191	50	1136	52	1081
		F04	1426	42	1375	43	1324	45	1277	46	1229
GM9S80 0805C*	W/W1	F01^^	837	N/A	752	N/A	671	N/A	576	N/A	501
		F02^	1316	45	1270	47	1218	49	1166	51	1114
		F03	1353	44	1323	45	1286	46	1235	48	1183
		F04	1587	37	1544	38	1506	39	1459	41	1416
GM9S80 1005C*	W/W1	F01^^	802	N/A	724	N/A	637	N/A	551	N/A	468
		F02^	1405	53	1356	55	1308	57	1262	59	1210
		F03	1574	47	1531	48	1484	50	1440	51	1392
		F04	1619	46	1575	47	1526	49	1489	50	1446
GM9S80 1205D*	W/W1	F01^^	851	N/A	774	N/A	692	N/A	615	N/A	535
		F02^	1677	53	1629	55	1583	56	1540	58	1498
		F03	1537	58	1489	60	1444	62	1404	63	1365
		F04^^	1416	N/A	1365	N/A	1315	N/A	1267	N/A	1220

Note: ^ DEFAULT SPEED
^^NOT RECOMMENDED FOR HEATING

GC9S80 LOW STAGE COOLING AIRFLOW DATA

LOW STAGE COOLING AIFLOW										
MODEL	THER-MOSTAT CALL	TAP #	EXTERNAL STATIC PRESSURE, (INCHES WATER COLUMN)							
			0.1	0.2	0.3	0.4	0.5	0.6	0.7	0.8
			CFM	CFM	CFM	CFM	CFM	CFM	CFM	CFM
GC9S80 0403A*	Y/Y1	F01	712	663	610	559	514	462	395	337
		F02	1120	1081	1053	1022	990	955	918	887
		F03	929	891	858	815	772	737	699	664
		F04^	1073	1031	1003	969	922	891	854	822
		F05	1212	1198	1161	1138	1103	1076	1037	1007
		F06	871	830	789	743	702	665	628	583
		F07	825	784	741	694	650	609	563	520
		F08	1274	1252	1220	1195	1169	1145	1110	1084
		F09	1362	1342	1307	1273	1252	1237	1211	1185
GC9S80 0603A*	Y/Y1	F01	706	655	604	555	505	455	395	328
		F02	1035	991	951	913	876	844	807	770
		F03	932	887	844	806	767	728	689	651
		F04^	897	851	808	764	725	686	646	603
		F05	1123	1077	1041	1006	973	941	907	875
		F06	1155	1113	1074	1039	1006	974	945	913
		F07	1255	1214	1181	1147	1116	1087	1056	1028
		F08	1388	1331	1298	1266	1235	1207	1179	1151
		F09	1421	1380	1348	1318	1289	1262	1233	1207
GC9S80 0804B*	Y/Y1	F01	760	697	636	569	481	402	349	300
		F02	1286	1238	1196	1157	1117	1077	1036	998
		F03	1393	1348	1308	1270	1230	1196	1158	1123
		F04^	1459	1414	1371	1336	1297	1264	1229	1193
		F05	1753	1713	1677	1642	1611	1576	1549	1518
		F06	1309	1261	1218	1182	1142	1103	1064	1025
		F07	1580	1534	1495	1459	1429	1390	1356	1324
		F08	1523	1483	1438	1403	1370	1336	1299	1266
		F09	1643	1599	1562	1525	1491	1462	1431	1394
GC9S80 0805C*	Y/Y1	F01	1022	813	674	585	511	431	334	282
		F02	1453	1407	1332	1259	1190	1143	1064	1003
		F03	1176	1105	1020	935	864	797	729	673
		F04^	1710	1660	1613	1560	1505	1424	1353	1296
		F05	1843	1786	1747	1690	1643	1575	1497	1435
		F06	1859	1819	1779	1734	1691	1641	1593	1520
		F07	2028	1982	1946	1907	1861	1814	1749	1683
		F08	2096	2045	2006	1974	1927	1882	1818	1765
		F09	2203	2170	2138	2113	2074	2032	1990	1948
GC9S80 1005C*	Y/Y1	F01	956	777	675	587	468	377	324	296
		F02	1460	1404	1350	1299	1251	1203	1150	1098
		F03	1561	1499	1441	1385	1336	1289	1243	1197
		F04^	1628	1571	1521	1472	1425	1380	1337	1291
		F05	1714	1659	1611	1564	1519	1473	1432	1387
		F06	1833	1784	1735	1688	1645	1605	1562	1520
		F07	1899	1853	1804	1761	1720	1681	1640	1602
		F08	1926	1894	1849	1807	1764	1720	1683	1642
		F09	2222	2174	2132	2090	2053	2013	1976	1944

Note: ^ DEFAULT SPEED

LOW STAGE COOLING AIFLOW										
MODEL	THER-MOSTAT CALL	TAP #	EXTERNAL STATIC PRESSURE, (INCHES WATER COLUMN)							
			0.1	0.2	0.3	0.4	0.5	0.6	0.7	0.8
			CFM	CFM	CFM	CFM	CFM	CFM	CFM	CFM
GC9S80 0403A*	Y2	F01	712	663	610	559	514	462	395	337
		F02	1120	1081	1053	1022	990	955	918	887
		F03	929	891	858	815	772	737	699	664
		F04	1073	1031	1003	969	922	891	854	822
		F05^	1212	1198	1161	1138	1103	1076	1037	1007
		F06	871	830	789	743	702	665	628	583
		F07	825	784	741	694	650	609	563	520
		F08	1274	1252	1220	1195	1169	1145	1110	1084
		F09	1362	1342	1307	1273	1252	1237	1211	1185
GC9S80 0603A*	Y2	F01	706	655	604	555	505	455	395	328
		F02	1035	991	951	913	876	844	807	770
		F03	932	887	844	806	767	728	689	651
		F04	897	851	808	764	725	686	646	603
		F05^	1123	1077	1041	1006	973	941	907	875
		F06	1155	1113	1074	1039	1006	974	945	913
		F07	1255	1214	1181	1147	1116	1087	1056	1028
		F08	1388	1331	1298	1266	1235	1207	1179	1151
		F09	1421	1380	1348	1318	1289	1262	1233	1207
GC9S80 0804B*	Y2	F01	760	697	636	569	481	402	349	300
		F02	1286	1238	1196	1157	1117	1077	1036	998
		F03	1393	1348	1308	1270	1230	1196	1158	1123
		F04	1459	1414	1371	1336	1297	1264	1229	1193
		F05^	1753	1713	1677	1642	1611	1576	1549	1518
		F06	1309	1261	1218	1182	1142	1103	1064	1025
		F07	1580	1534	1495	1459	1429	1390	1356	1324
		F08	1523	1483	1438	1403	1370	1336	1299	1266
		F09	1643	1599	1562	1525	1491	1462	1431	1394
GC9S80 0805C*	Y2	F01	1022	813	674	585	511	431	334	282
		F02	1453	1407	1332	1259	1190	1143	1064	1003
		F03	1176	1105	1020	935	864	797	729	673
		F04	1710	1660	1613	1560	1505	1424	1353	1296
		F05^	1843	1786	1747	1690	1643	1575	1497	1435
		F06	1859	1819	1779	1734	1691	1641	1593	1520
		F07	2028	1982	1946	1907	1861	1814	1749	1683
		F08	2096	2045	2006	1974	1927	1882	1818	1765
		F09	2203	2170	2138	2113	2074	2032	1990	1948
GC9S80 1005C*	Y2	F01	956	777	675	587	468	377	324	296
		F02	1460	1404	1350	1299	1251	1203	1150	1098
		F03	1561	1499	1441	1385	1336	1289	1243	1197
		F04	1628	1571	1521	1472	1425	1380	1337	1291
		F05^	1714	1659	1611	1564	1519	1473	1432	1387
		F06	1833	1784	1735	1688	1645	1605	1562	1520
		F07	1899	1853	1804	1761	1720	1681	1640	1602
		F08	1926	1894	1849	1807	1764	1720	1683	1642
		F09	2222	2174	2132	2090	2053	2013	1976	1944

RECOMMENDED AIRFLOW SPEEDS FOR CONNECTION WITH 2 STAGE OUTDOOR MODELS		
FURNACE MODEL	Y2	Y1
C9S800805C	F08	F02

Note: ^ DEFAULT SPEED

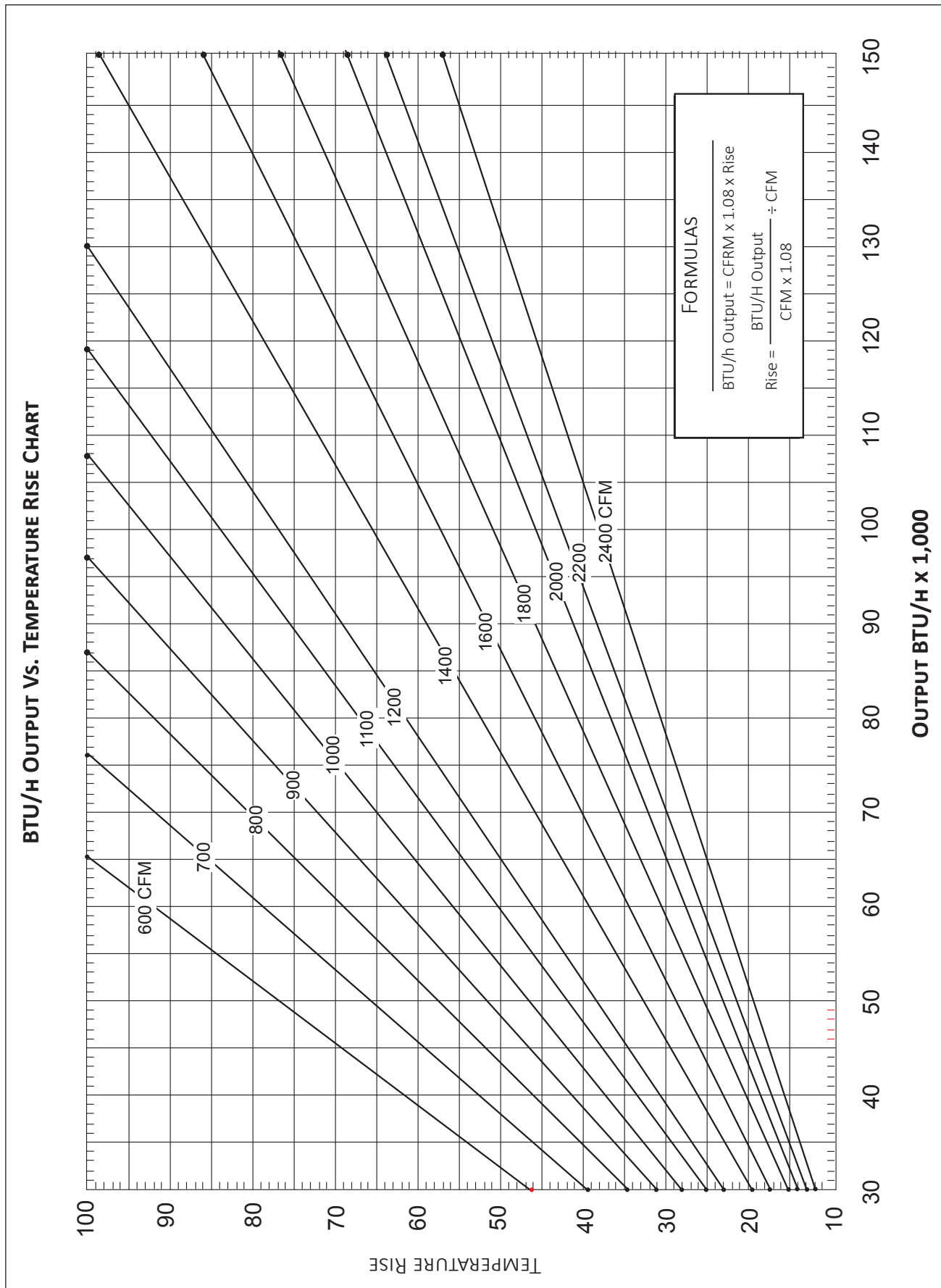
GC9S80 CIRCULATION AIRFLOW DATA

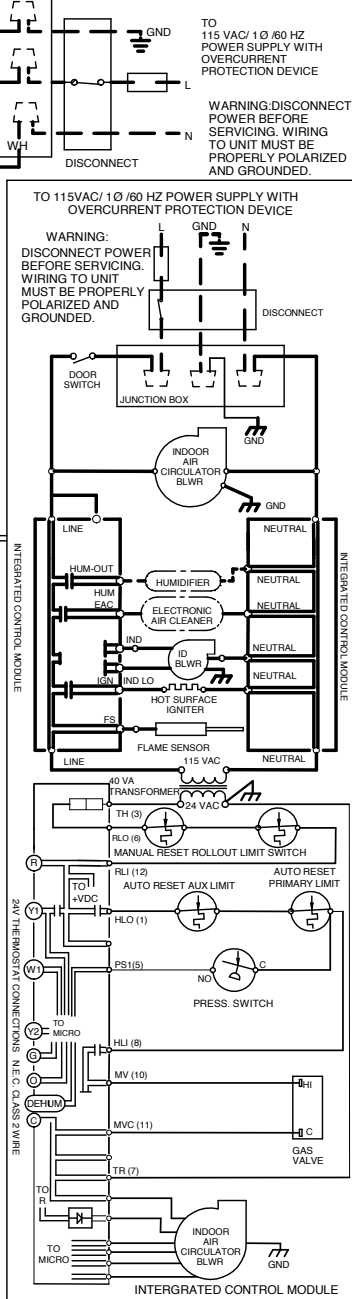
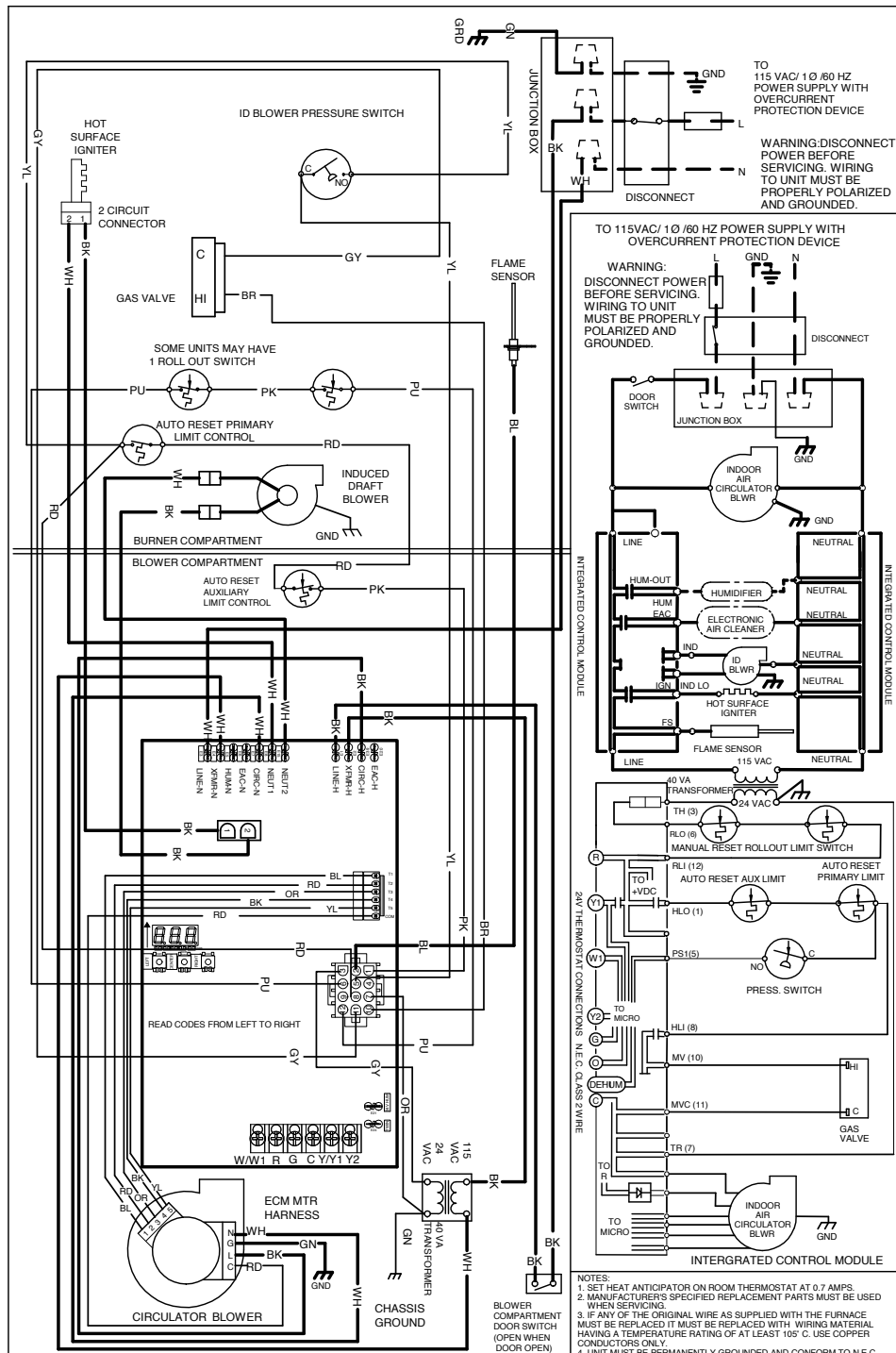
CIRCULATION AIRFLOW										
MODEL	THER-MOSTAT CALL	TAP #	EXTERNAL STATIC PRESSURE, (INCHES WATER COLUMN)							
			0.1	0.2	0.3	0.4	0.5	0.6	0.7	0.8
			CFM	CFM	CFM	CFM	CFM	CFM	CFM	CFM
GC9S80 0403A*	G	F01	712	663	610	559	514	462	395	337
		F02	1120	1081	1053	1022	990	955	918	887
		F03	929	891	858	815	772	737	699	664
		F04	1073	1031	1003	969	922	891	854	822
		F05	1212	1198	1161	1138	1103	1076	1037	1007
		F06	871	830	789	743	702	665	628	583
		F07	825	784	741	694	650	609	563	520
		F08	1274	1252	1220	1195	1169	1145	1110	1084
		F09	1362	1342	1307	1273	1252	1237	1211	1185
GC9S80 0603A*	G	F01	706	655	604	555	505	455	395	328
		F02	1035	991	951	913	876	844	807	770
		F03	932	887	844	806	767	728	689	651
		F04	897	851	808	764	725	686	646	603
		F05	1123	1077	1041	1006	973	941	907	875
		F06	1155	1113	1074	1039	1006	974	945	913
		F07	1255	1214	1181	1147	1116	1087	1056	1028
		F08	1388	1331	1298	1266	1235	1207	1179	1151
		F09	1421	1380	1348	1318	1289	1262	1233	1207
GC9S80 0804B*	G	F01	760	697	636	569	481	402	349	300
		F02	1286	1238	1196	1157	1117	1077	1036	998
		F03	1393	1348	1308	1270	1230	1196	1158	1123
		F04	1459	1414	1371	1336	1297	1264	1229	1193
		F05	1753	1713	1677	1642	1611	1576	1549	1518
		F06	1309	1261	1218	1182	1142	1103	1064	1025
		F07	1580	1534	1495	1459	1429	1390	1356	1324
		F08	1523	1483	1438	1403	1370	1336	1299	1266
		F09	1643	1599	1562	1525	1491	1462	1431	1394
GC9S80 0805C*	G	F01	1022	813	674	585	511	431	334	282
		F02	1453	1407	1332	1259	1190	1143	1064	1003
		F03	1176	1105	1020	935	864	797	729	673
		F04	1710	1660	1613	1560	1505	1424	1353	1296
		F05	1843	1786	1747	1690	1643	1575	1497	1435
		F06	1859	1819	1779	1734	1691	1641	1593	1520
		F07	2028	1982	1946	1907	1861	1814	1749	1683
		F08	2096	2045	2006	1974	1927	1882	1818	1765
		F09	2203	2170	2138	2113	2074	2032	1990	1948
GC9S80 1005C*	G	F01	956	777	675	587	468	377	324	296
		F02	1460	1404	1350	1299	1251	1203	1150	1098
		F03	1561	1499	1441	1385	1336	1289	1243	1197
		F04	1628	1571	1521	1472	1425	1380	1337	1291
		F05	1714	1659	1611	1564	1519	1473	1432	1387
		F06	1833	1784	1735	1688	1645	1605	1562	1520
		F07	1899	1853	1804	1761	1720	1681	1640	1602
		F08	1926	1894	1849	1807	1764	1720	1683	1642
		F09	2222	2174	2132	2090	2053	2013	1976	1944

Note: ^ DEFAULT SPEED

HEATING AIRFLOW											
MODEL	THER- MOSTAT CALL	TAP #	EXTERNAL STATIC PRESSURE, (INCHES WATER COLUMN)								
			0.1		0.2		0.3		0.4		0.5
			CFM	RISE	CFM	RISE	CFM	RISE	CFM	RISE	CFM
GC9S80 0403A*	W/W1	F01^^	712	N/A	663	N/A	610	N/A	559	N/A	514
		F02^	1120	26	1081	27	1053	28	1022	29	990
		F03	929	32	891	33	858	35	815	36	772
		F04	1073	28	1031	29	1003	30	969	31	922
GC9S80 0603A*	W/W1	F01^^	706	N/A	655	N/A	604	N/A	555	N/A	505
		F02^	1035	43	991	45	951	47	913	49	876
		F03	932	48	887	50	844	53	806	55	767
		F04^^	897	N/A	851	N/A	808	N/A	764	N/A	725
GC9S80 0804B*	W/W1	F01^^	760	N/A	697	N/A	636	N/A	569	N/A	481
		F02^	1286	46	1238	48	1196	50	1157	51	1117
		F03	1393	43	1348	44	1308	45	1270	47	1230
		F04	1459	41	1414	42	1371	43	1336	44	1297
GC9S80 0805C*	W/W1	F01^^	1022	N/A	813	N/A	674	N/A	585	N/A	511
		F02^	1453	41	1407	42	1332	45	1259	47	1190
		F03^^	1176	N/A	1105	N/A	1020	N/A	935	N/A	864
		F04	1710	35	1660	36	1613	37	1560	38	1505
GC9S80 1005C*	W/W1	F01^^	956	N/A	777	N/A	675	N/A	587	N/A	468
		F02^	1460	51	1404	53	1350	55	1299	57	1251
		F03	1561	47	1499	49	1441	51	1385	53	1336
		F04	1628	46	1571	47	1521	49	1472	50	1425

Note: ^ DEFAULT SPEED
^^NOT RECOMMENDED FOR HEATING





NOTES:
 1. SET HEAT ANTICIPATOR ON ROOM THERMOSTAT AT 0.7 AMPS.
 2. MANUFACTURER'S SPECIFIED REPLACEMENT PARTS MUST BE USED WHEN SERVICING.
 3. IF ANY OF THE ORIGINAL WIRE AS SUPPLIED WITH THE FURNACE MUST BE REPLACED IT MUST BE REPLACED WITH WIRING MATERIAL HAVING A TEMPERATURE RATING OF AT LEAST 105° C. USE COPPER CONDUCTORS ONLY.
 4. UNIT MUST BE PERMANENTLY GROUNDED AND CONFORM TO N.E.C. AND LOCAL CODES.
 5. TO RECALL THE LAST 6 FAULTS, MOST RECENT TO LEAST RECENT, DEPRESS SWITCH FOR MORE THAN 2 SECONDS WHILE IN STANDBY (NO THERMOSTAT INPUTS)

High Voltage: Disconnect all power before servicing or installing this unit. Multiple power sources may be present. Failure to do so may cause property damage, personal injury, or death.

WARNING

Wiring is subject to change. Always refer to the wiring diagram on the unit for the most up-to-date wiring.

Error Code Status	Seven Segment Display		
	Seg#3	Seg#2	Seg#1
Internal Faults or IRQ Loss	E	E	E
Lockout Due to Excessive Retries or Recycles	E	E	0
Pressure Switch Stuck Closed	E	E	1
Pressure Switch Open	E	E	2
Open High Limit Switch	E	E	3
Flame Detected When no Flame Should be Present	E	E	4
Open Fuse	E	E	5
Low Flame Signal	E	E	6
Ignitor Relay Fault	E	E	L
Reversed Line Polarity or Grounding Error	E	E	A
Internal Gas Valve Error	E	E	b
External Gas Valve Error	E	E	C
Open Rollout Switch	E	1	1
Ignitor Open	E	E	n
Inducer Relay Error	E	E	j
TWIN Error	E	E	H
Grounding Error	E	1	0

COLOR CODES:
 PK PINK
 BR BROWN
 WH WHITE
 BL BLUE
 GY GRAY
 RD RED
 YL YELLOW
 OR ORANGE
 PU PURPLE
 GN GREEN
 BK BLACK

EQUIPMENT GND
 FIELD GND
 FIELD SPICE
 SWITCH (TEMP.)
 IGNITER
 SWITCH (PRESS)
 OVERCURRENT
 PROT. DEVICE
 JUNCTION
 TERMINAL
 INTERNAL TO INTEGRATED CONTROL
 PLUG CONNECTION
 LOW VOLTAGE (24V)
 LOW VOLTAGE FIELD
 HI VOLTAGE (115V)
 HI VOLTAGE FIELD



MODEL	DESCRIPTION	GM9S80 0403A*	GM9S80 0603A*	GM9S80 0603B*	GM9S80 0604B*	GM9S80 0803B*	GM9S80 0804B*	GM9S80 0804C*	GM9S80 0805C*	GM9S80 1005C*	GM9S80 1205D*
AFE18-60A	Fossil Fuel (Dual Fuel) Kit	√	√	√	√	√	√	√	√	√	√
HANG20	High-Altitude Natural Gas Kit	√	√	√	√	√	√	√	√	√	√
LPLP03	Low LP Gas Pressure Switch	√	√	√	√	√	√	√	√	√	√
LPT-03	LP Conversion Kits	√	√	√	√	√	√	√	√	√	√
MVK-01 *	Masonry Vent Kit	√	√	√	√	√	√	√	√	√	—
MVK-02 *	Masonry Vent Kit (for 120k model only)	—	—	—	—	—	—	—	—	—	√

* Upflow applications only

MODEL	DESCRIPTION	GC9S80 0403A*B	GC9S80 0603A*B	GC9S80 0804B*B	GC9S80 0805C*	GC9S80 1005C*B
SBT14	Downflow Sub-Base 14"	√	√	—	—	—
SBT17	Downflow Sub-Base 17.5"	—	—	√	—	—
SBT21	Downflow Sub-Base 21"	—	—	—	√	√
AFE18-60A	Fossil Fuel (Dual Fuel) Kit	√	√	√	√	√
HANG20	High-Altitude Natural Gas Kit	√	√	√	√	√
LPLP03	Low LP Gas Pressure Switch	√	√	√	√	√
LPT-03	LP Conversion Kits	√	√	√	√	√

MINIMUM FILTER SIZES

MODEL #	GM9S80 0403A*	GM9S80 0603A*	GM9S80 0604B*	GM9S80 0804B*	GM9S80 0805C*	GM9S80 81005C*	GM9S80 1205D*
Filter Size (in ²)	(1) 16 x 25 (Side) or (1) 14 x 24 (Bottom)		(1) 16 x 25 (Side or Bottom)		(1) 16 x 25 (Side or Bottom) ¹	(2) 16 x 25 (Side) or (1) 20 x 25 (Bottom)	(2) 16 x 25 (Side) or (1) 24 x 24 (Bottom)

MODEL #	GC9S80 0403A*	GC9S80 0603A*	GC9S80 0804B*	GC9S80 1005C*
Filter Size (in ²)	(2) 10 x 20 or (1) 14 x 25 (Top Return)		(2) 14x20 or (1) 16 x 25 (Top Return)	(2) 14 x 20 or (1) 20 x 25 (Top Return)

MODEL #	GC9S80 0403A*	GC9S80 0604B*	GC9S80 0805C*
Filter Size (in ²)	(1) 16 x 25 (Side) or (1) 14 x 24 (Bottom)	(1) 16 x 25 (Side or Bottom)	1- 16 X 25 (Side or Bottom) ¹

Note: Other size filters of equal or greater surface area may be used; filters may also be centrally located.

¹ Use 2- 16 x 25 filters on side returns or 20 x 25 filter on bottom return if furnace is connected to a cooling unit over 4 tons nominal capacity.