



DX3SEA COMMERCIAL

COOLING CAPACITY:
36,000 - 60,000 BTU/H

**3, 4, & 5-TON, THREE-PHASE
SPLIT SYSTEM AIR CONDITIONER**



■ Contents

Nomenclature.....	2
Product Specifications.....	3
Expanded Cooling Data.....	4
AHRI Ratings.....	16
Dimensions.....	17
Wiring Diagrams.....	18
Accessories.....	19

■ Standard Features

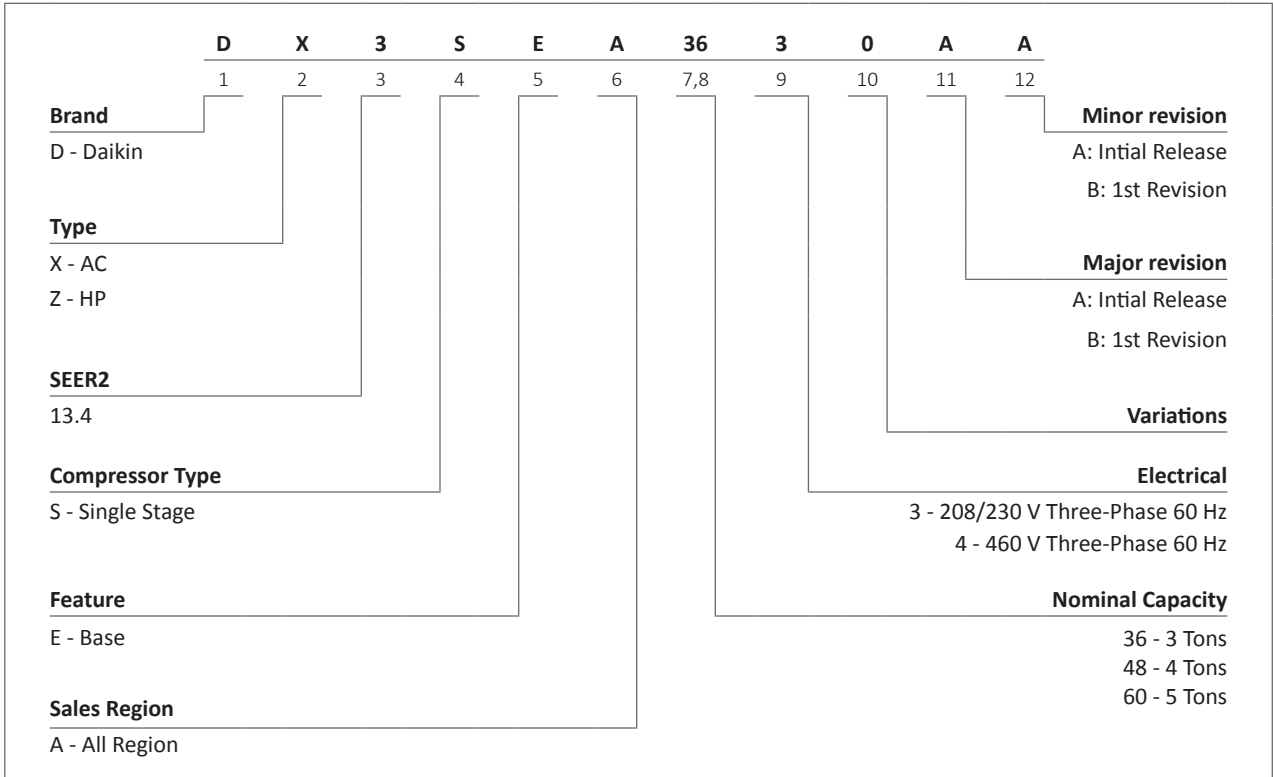
- Energy-efficient compressor
- Factory-installed filter drier
- Copper tube/ enhanced aluminum fin coil
- Service valves with sweat connections and easy-access gauge ports
- Contactor with lug connection
- Ground lug connection
- Units meet the performance outlined in Table 6.8.1B of ASHRAE Standard 90.1-2010
- AHRI Certified
- ETL Listed
- Match systems have a minimum SEER2 rating of 13.4

■ Cabinet Features

- Innovative louvered sound control top design
- Steel louver coil guard
- Heavy-gauge galvanized-steel cabinet
- Attractive Nickel Gray powder-paint finish
- Top and side maintenance access
- Single-panel access to controls with space provided for field-installed accessories
- When properly anchored, meets the 2020 Florida Building Code unit integrity requirements for hurricane-type winds (Anchor bracket kits available.)



* Complete warranty details available from your local distributor or manufacturer's representative or at www.daikincomfort.com.



	DX3SEA 3630	DX3SEA 3640	DX3SEA 4830	DX3SEA 4840	DX3SEA 6030	DX3SEA 6040
COOLING CAPACITIES						
Nominal Cooling (BTU/h) ¹	36,000	36,000	48,000	48,000	60,000	60,000
Decibels	73.0	73.0	74.0	74.0	75.0	75.0
COMPRESSOR						
RLA	9.9	5.8	15.4	6.9	15.4	7.1
LRA	97.5	43.4	83.1	41.0	15.5	62.0
CONDENSER FAN MOTOR						
Horsepower	1/6	1/6	1/4	1/4	1/4	1/4
FLA	0.95	0.60	1.3	0.80	1.3	0.80
REFRIGERATION SYSTEM						
Liquid Valve Connection Size ("O.D.)	3/8"	3/8"	3/8"	3/8"	3/8"	3/8"
Suction Valve Connection Size ("O.D.)	3/4"	3/4"	7/8"	7/8"	7/8"	7/8"
Valve Type	Sweat	Sweat	Sweat	Sweat	Sweat	Sweat
Refrigerant Charge (oz.) ²	71	71	120	120	130	130
ELECTRICAL DATA						
AC Volts	200/230	460	200/230	460	200/230	460
Hz / Phase	60 Hz/3	60 Hz/ 3	60 Hz/ 3	60Hz/ 3	60Hz/ 3	60Hz/ 3
Min. Circuit Ampacity ³	13.3	7.8	18.4	8.5	20.4	9.5
Max. Overcurrent Device ⁴	20	15	35	15	35	15
Min / Max Volts	197/253	414/506	197/253	414/506	197/253	414/506
Electrical Conduit Size	1/2" or 3/4"	1/2" or 3/4"	1/2" or 3/4"	1/2" or 3/4"	1/2" or 3/4"	1/2" or 3/4"
SHIP WEIGHT (LBS)	163	164	231	231	240	240

¹ Tested and rated in accordance with ARI Standard

² Factory Holding Charge. Follow Instructions for system charge

³ Wire size should be determined in accordance with National Electrical Codes; extensive wire runs will require larger wire sizes

⁴ Must use time-delay fuses or HACR-type circuit breakers of the same size as noted.

NOTES

- Always check the S&R plate for electrical data on the unit being installed.
- Unit is charged with refrigerant for 15' of 3/8" liquid line. System charge must be adjusted per Installation Instructions Final Charge Procedure.

IDB	AIRFLOW	OUTDOOR AMBIENT TEMPERATURE												ENTERING INDOOR WET BULB TEMPERATURE													
		65				75				85				95				105				115					
		59	63	67	71	59	63	67	71	59	63	67	71	59	63	67	71	59	63	67	71	59	63	67	71		
70	1050	MBh	34.6	35.1	36.2	-	34.3	34.8	35.9	-	33.4	33.9	34.9	-	31.9	32.3	33.4	-	29.9	30.4	31.5	-	28.2	28.7	29.7	-	
		S/T	0.58	0.50	0.36	-	0.58	0.51	0.37	-	0.61	0.53	0.40	-	0.63	0.55	0.42	-	1.00	0.57	0.44	-	1.00	0.63	0.49	-	
		ΔT	21	19	16	-	21	19	16	-	21	19	16	-	21	19	16	-	21	19	15	-	22	20	17	-	
	1270	kW	2.21	2.21	2.21	-	2.47	2.47	2.46	-	2.75	2.75	2.75	-	3.06	3.06	3.06	-	3.41	3.41	3.40	-	3.82	3.81	3.81	-	
		Amps	7.9	7.9	7.8	-	9.0	9.0	9.0	-	10.3	10.3	10.3	-	11.8	11.8	11.7	-	13.3	13.3	13.3	-	15.2	15.2	15.2	-	
		Hi PR	256	257	259	-	296	297	299	-	339	340	341	-	384	385	387	-	433	435	436	-	486	487	489	-	
	1350	Lo PR	121	123	126	-	129	130	133	-	135	137	140	-	141	142	145	-	146	148	151	-	153	155	158	-	
		MBh	35.3	35.7	36.8	-	34.9	35.4	36.5	-	34.0	34.5	35.6	-	32.5	33.0	34.0	-	30.6	31.0	32.1	-	28.8	29.3	30.3	-	
		S/T	0.67	0.59	0.46	-	0.67	0.60	0.46	-	0.70	0.62	0.49	-	1.00	0.64	0.51	-	1.00	0.67	0.53	-	1.00	0.72	0.58	-	
	75	1050	ΔT	19	18	14	-	19	17	14	-	20	18	14	-	19	17	14	-	19	17	14	-	20	18	15	-
			kW	2.24	2.24	2.23	-	2.49	2.49	2.48	-	2.77	2.77	2.77	-	3.08	3.08	3.08	-	3.43	3.43	3.42	-	3.83	3.83	3.83	-
			Amps	8.0	8.0	8.0	-	9.1	9.1	9.1	-	10.4	10.4	10.4	-	11.9	11.8	11.8	-	13.4	13.4	13.4	-	15.3	15.3	15.3	-
75	1270	Hi PR	260	261	263	-	300	301	303	-	343	344	346	-	388	389	391	-	438	439	440	-	490	491	493	-	
		Lo PR	125	126	129	-	132	134	137	-	139	140	143	-	144	146	149	-	150	151	154	-	156	158	161	-	
		MBh	35.5	36.0	37.0	-	35.2	35.7	36.7	-	34.3	34.8	35.8	-	32.7	33.2	34.3	-	30.8	31.3	32.4	-	29.1	29.6	30.6	-	
75	1350	S/T	0.69	0.61	0.48	-	0.69	0.62	0.48	-	0.72	0.64	0.51	-	1.00	0.66	0.53	-	1.00	0.69	0.55	-	1.00	0.74	0.60	-	
		kW	2.24	2.24	2.23	-	2.49	2.49	2.49	-	2.78	2.78	2.77	-	3.09	3.09	3.08	-	3.43	3.43	3.43	-	3.84	3.84	3.83	-	
		Amps	8.0	8.0	8.0	-	9.2	9.1	9.1	-	10.5	10.5	10.4	-	11.9	11.9	11.8	-	13.5	13.5	13.4	-	15.3	15.3	15.3	-	
75	1050	Hi PR	256	257	259	263.3	296	297	299	303.7	339	340	342	346.2	384	386	387	391.8	434	435	437	441.1	486	487	489	493.6	
		Lo PR	121	123	126	131.3	129	130	134	138.7	135	137	140	145.2	141	142	146	150.7	146	148	151	156.1	153	155	158	162.9	
		MBh	35.3	35.8	36.8	38.4	35.0	35.5	36.5	38.1	34.1	34.5	35.6	37.2	32.5	33.0	34.0	35.6	30.6	31.1	32.1	33.7	28.8	29.3	30.4	32.0	
75	1270	S/T	0.80	0.72	0.59	0.4	0.80	0.73	0.59	0.4	1.00	0.75	0.62	0.5	1.00	0.77	0.64	0.5	1.00	0.79	0.66	0.5	1.00	1.00	0.71	0.6	
		ΔT	24	22	18	14	24	22	18	14	24	22	18	15	24	22	18	14	23	21	18	14	24	23	19	15	
		kW	2.23	2.23	2.22	2.24	2.49	2.48	2.48	2.50	2.77	2.77	2.77	2.79	3.08	3.08	3.08	3.09	3.43	3.43	3.42	3.44	3.83	3.83	3.83	3.85	
75	1350	Amps	7.9	7.9	7.9	8.0	9.1	9.1	9.1	9.2	10.4	10.4	10.4	10.5	11.8	11.8	11.9	11.9	13.4	13.4	13.4	13.5	15.3	15.3	15.3	15.3	
		Hi PR	259	260	262	266.3	299	301	302	306.8	342	343	345	349.2	388	389	390	394.9	437	438	440	444.1	489	490	492	496.7	
		Lo PR	124	125	129	133.7	131	133	136	141.2	138	139	142	147.7	143	145	148	153.2	149	150	153	158.6	156	157	160	165.3	
75	1050	MBh	35.5	36.0	37.1	38.7	35.2	35.7	36.8	38.3	34.3	34.8	35.8	37.4	32.8	33.2	34.3	35.9	30.8	31.3	32.4	34.0	29.1	29.6	30.6	32.2	
		S/T	0.82	0.74	0.61	0.5	0.82	0.75	0.61	0.5	1.00	0.77	0.64	0.5	1.00	0.79	0.66	0.5	1.00	0.81	0.68	0.5	1.00	1.00	0.73	0.6	
		ΔT	23	21	18	14	23	21	18	14	23	21	18	14	23	21	18	14	23	21	17	14	24	22	19	15	
75	1270	kW	2.24	2.23	2.23	2.2	2.49	2.49	2.49	2.5	2.78	2.78	2.77	2.8	3.09	3.09	3.08	3.1	3.43	3.43	3.43	3.4	3.84	3.84	3.83	3.9	
		Amps	8.0	8.0	7.9	8.0	9.1	9.1	9.1	9.2	10.5	10.4	10.4	10.5	11.9	11.9	11.8	11.9	13.5	13.4	13.4	13.5	15.3	15.3	15.3	15.4	
		Hi PR	260	261	263	267.4	300	302	303	307.9	343	344	346	350.3	389	390	391	396.0	438	439	441	445.2	490	491	493	497.7	
75	1350	Lo PR	125	126	130	134.7	132	134	137	142.1	139	140	143	148.6	144	146	149	154.1	150	151	154	159.5	156	158	161	166.3	

IDB: Entering Indoor Dry Bulb Temperature
 High and low pressures are measured at the liquid and suction service valves.
 Shaded area is ACCA (TVA) conditions.
 kW=Total system power
 Amps = outdoor unit amps (comp.+fan)

IDB		OUTDOOR AMBIENT TEMPERATURE																													
		65					75					85					95					105					115				
		ENTERING INDOOR WET BULB TEMPERATURE																													
AIRFLOW	59	63	67	71	59	63	67	71	59	63	67	71	59	63	67	71	59	63	67	71	59	63	67	71	59	63	67	71			
1050	MBh	34.8	35.3	36.4	38.0	34.5	35.0	36.1	37.6	33.6	34.1	35.1	36.7	32.1	32.5	33.6	35.2	30.1	30.6	31.7	33.3	28.4	28.9	29.9	31.5	28.4	28.9	29.9	31.5		
	S/T	0.83	0.76	0.62	0.5	1.00	0.76	0.63	0.5	1.00	0.79	0.65	0.5	1.00	0.81	0.67	0.5	1.00	1.00	0.69	0.5	1.00	1.00	0.74	0.6	1.00	1.00	0.74	0.6		
	ΔT	30	28	24	20	29	28	24	20	30	28	24	20	29	28	24	20	29	27	24	20	30	28	25	21	30	28	25	21		
	kW	2.21	2.21	2.21	2.2	2.47	2.47	2.46	2.5	2.75	2.75	2.75	2.8	3.06	3.06	3.06	3.1	3.41	3.41	3.40	3.4	3.81	3.81	3.81	3.8	3.81	3.81	3.81	3.8		
	Amps	7.9	7.9	7.8	7.9	9.0	9.0	9.0	9.1	10.3	10.3	10.3	10.4	11.8	11.8	11.7	11.8	13.3	13.3	13.3	13.4	15.2	15.2	15.2	15.3	15.2	15.2	15.2	15.3		
1270	Hi PR	256	257	259	263.7	297	298	300	304.2	339	340	342	346.6	385	386	388	392.3	434	435	437	441.5	487	488	490	494.1	487	488	490	494.1		
	Lo PR	122	124	127	131.8	129	131	134	139.2	136	137	141	145.7	141	143	146	151.2	147	148	151	156.6	154	155	158	163.4	154	155	158	163.4		
	MBh	35.5	35.9	37.0	38.6	35.1	35.6	36.7	38.3	34.2	34.7	35.8	37.4	32.7	33.2	34.2	35.8	30.8	31.2	32.3	33.9	29.0	29.5	30.5	32.1	29.0	29.5	30.5	32.1		
	S/T	1.00	0.85	0.71	0.6	1.00	0.85	0.72	0.6	1.00	0.88	0.74	0.6	1.00	1.00	0.76	0.6	1.00	1.00	0.78	0.6	1.00	1.00	0.84	0.7	1.00	1.00	0.84	0.7		
	ΔT	28	26	22	19	28	26	22	19	28	26	23	19	28	26	22	19	28	26	22	18	29	27	23	20	29	27	23	20		
1350	kW	2.23	2.23	2.23	2.25	2.49	2.49	2.48	2.50	2.77	2.77	2.77	2.79	3.08	3.08	3.08	3.10	3.43	3.43	3.42	3.44	3.83	3.83	3.83	3.85	3.83	3.83	3.83	3.85		
	Amps	8.0	7.9	7.9	8.0	9.1	9.1	9.1	9.2	10.4	10.4	10.4	10.5	11.8	11.8	11.8	11.9	13.4	13.4	13.4	13.5	15.3	15.3	15.3	15.3	15.3	15.3	15.3	15.3		
	Hi PR	259	261	262	266.8	300	301	303	307.3	342	343	345	349.7	388	389	391	395.4	437	438	440	444.6	490	491	493	497.1	490	491	493	497.1		
	Lo PR	124	126	129	134.3	132	133	137	141.7	138	140	143	148.2	144	145	149	153.7	149	151	154	159.1	156	158	161	165.9	156	158	161	165.9		
	MBh	35.7	36.2	37.2	38.8	35.4	35.9	36.9	38.5	34.5	35.0	36.0	37.6	32.9	33.4	34.5	36.1	31.0	31.5	32.6	34.1	29.3	29.8	30.8	32.4	29.3	29.8	30.8	32.4		
80	S/T	1.00	0.87	0.73	0.6	1.00	0.87	0.74	0.6	1.00	0.90	0.76	0.6	1.00	1.00	0.78	0.6	1.00	1.00	0.80	0.7	1.00	1.00	0.86	0.7	1.00	1.00	0.86	0.7		
	ΔT	27	25	22	18	27	25	22	18	28	26	22	18	27	25	22	18	27	25	22	18	28	26	23	19	28	26	23	19		
	kW	2.24	2.24	2.23	2.3	2.49	2.49	2.49	2.5	2.78	2.78	2.77	2.8	3.09	3.09	3.08	3.1	3.43	3.43	3.43	3.4	3.84	3.84	3.83	3.9	3.84	3.84	3.83	3.9		
	Amps	8.0	8.0	8.0	8.0	9.2	9.1	9.1	9.2	10.5	10.5	10.4	10.5	11.9	11.9	11.8	11.9	13.5	13.4	13.4	13.5	15.3	15.3	15.3	15.4	15.3	15.3	15.3	15.4		
	Hi PR	260	262	263	267.9	301	302	304	308.4	343	344	346	350.8	389	390	392	396.4	438	439	441	445.7	491	492	494	498.2	491	492	494	498.2		
85	Lo PR	125	127	130	135.2	133	134	137	142.7	139	141	144	149.2	145	146	149	154.7	150	152	155	160.1	157	159	162	166.8	157	159	162	166.8		
	MBh	35.4	35.9	37.0	38.5	35.1	35.6	36.6	38.2	34.2	34.7	35.7	37.3	32.6	33.1	34.2	35.8	30.7	31.2	32.3	33.9	29.0	29.5	30.5	32.1	29.0	29.5	30.5	32.1		
	S/T	1.00	0.86	0.73	0.6	1.00	0.86	0.73	0.6	1.00	1.00	0.75	0.6	1.00	1.00	0.77	0.6	1.00	1.00	0.79	0.7	1.00	1.00	1.00	0.7	1.00	1.00	1.00	0.8		
	ΔT	33	31	28	24	33	31	28	24	33	32	28	24	33	31	28	24	33	31	27	24	34	32	29	25	34	32	29	25		
	kW	2.22	2.22	2.21	2.2	2.47	2.47	2.47	2.5	2.76	2.76	2.75	2.8	3.07	3.07	3.06	3.1	3.41	3.41	3.41	3.4	3.82	3.82	3.81	3.8	3.82	3.82	3.81	3.8		
1050	Amps	7.9	7.9	7.9	7.9	9.1	9.1	9.0	9.1	10.4	10.4	10.3	10.4	11.8	11.8	11.8	11.8	13.4	13.4	13.3	13.4	15.2	15.2	15.2	15.3	15.2	15.2	15.2	15.3		
	Hi PR	258	259	260	264.9	298	299	301	305.4	340	342	343	347.8	386	387	389	393.5	435	436	438	442.7	488	489	491	495.3	488	489	491	495.3		
	Lo PR	124	125	128	133.6	131	133	136	141.1	138	139	142	147.6	143	145	148	153.1	149	150	153	158.5	155	157	160	165.2	155	157	160	165.2		
	MBh	36.0	36.5	37.6	39.2	35.7	36.2	37.3	38.8	34.8	35.3	36.3	37.9	33.3	33.7	34.8	36.4	31.3	31.8	32.9	34.5	29.6	30.1	31.1	32.7	29.6	30.1	31.1	32.7		
	S/T	1.00	0.95	0.81	0.7	1.00	0.96	0.82	0.7	1.00	1.00	0.84	0.7	1.00	1.00	0.86	0.7	1.00	1.00	0.89	0.7	1.00	1.00	1.00	0.8	1.00	1.00	1.00	0.8		
1270	ΔT	32	30	26	22	32	30	26	22	32	30	26	23	32	30	26	22	31	29	26	22	32	31	27	23	32	31	27	23		
	kW	2.24	2.23	2.23	2.25	2.49	2.49	2.49	2.51	2.78	2.78	2.77	2.79	3.09	3.09	3.08	3.10	3.43	3.43	3.43	3.45	3.84	3.84	3.83	3.85	3.84	3.84	3.83	3.85		
	Amps	8.0	8.0	7.9	8.0	9.1	9.1	9.1	9.2	10.5	10.4	10.4	10.5	11.9	11.9	11.8	11.9	13.5	13.4	13.4	13.5	15.3	15.3	15.3	15.4	15.3	15.3	15.3	15.4		
	Hi PR	261	262	264	268.0	301	302	304	308.5	344	345	346	350.9	389	390	392	396.6	438	440	441	445.8	491	492	494	498.3	491	492	494	498.3		
	Lo PR	126	128	131	136.1	134	135	138	143.5	140	142	145	150.0	146	147	150	155.5	151	153	156	160.9	158	159	162	167.7	158	159	162	167.7		
1350	MBh	36.3	36.8	37.8	39.4	36.0	36.5	37.5	39.1	35.1	35.6	36.6	38.2	33.5	34.0	35.1	36.6	31.6	32.1	33.1	34.7	29.9	30.4	31.4	33.0	29.9	30.4	31.4	33.0		
	S/T	1.00	0.97	0.83	0.7	1.00	1.00	0.84	0.7	1.00	1.00	0.86	0.7	1.00	1.00	0.88	0.7	1.00	1.00	0.91	0.8	1.00	1.00	1.00	0.8	1.00	1.00	1.00	0.8		
	ΔT	31	29	26	22	31	29	26	22	31	29	26	22	31	29	26	22	31	29	25	22	32	30	26	23	32	30	26	23		
	kW	2.24	2.24	2.24	2.3	2.50	2.50	2.49	2.5	2.78	2.78	2.78	2.8	3.09	3.09	3.09	3.1	3.44	3.44	3.43	3.5	3.84	3.84	3.84	3.9	3.84	3.84	3.84	3.9		
	Amps	8.0	8.0	8.0	8.1	9.2	9.2	9.1	9.2	10.5	10.5	10.5	10.5	11.9	11.9	11.9	12.0	13.5	13.5	13.5	13.5	15.3	15.3	15.3	15.4	15.3	15.3	15.3	15.4		
Hi PR	262	263	265	269.1	302	303	305	309.6	345	346	347	352.0	390	391	393	397.6	439	441	442	446.9	492	493	495	499.4	492	493	495	499.4			
Lo PR	127	129	132	137.1	135	136	139	144.5	141	143	146	151.0	147	148	151	156.5	152	154	157	161.9	159	160	163	168.7	159	160	163	168.7			

Shaded area is AHRI conditions.
 KW=Total system power
 Amps = outdoor unit amps (comp.+fan)

High and low pressures are measured at the liquid and suction service valves.

IDB: Entering Indoor Dry Bulb Temperature
 High and low pressures are measured at the liquid and suction service valves.

IDB	AIRFLOW	OUTDOOR AMBIENT TEMPERATURE												ENTERING INDOOR WET BULB TEMPERATURE												
		65				75				85				95				105				115				
		59	63	67	71	59	63	67	71	59	63	67	71	59	63	67	71	59	63	67	71	59	63	67	71	
70	1050	MBh	34.6	35.1	36.2	-	34.3	34.8	35.9	-	33.4	33.9	34.9	-	31.9	32.3	33.4	-	29.9	30.4	31.5	-	28.2	28.7	29.7	-
		S/T	0.58	0.50	0.36	-	0.58	0.51	0.37	-	0.61	0.53	0.40	-	0.63	0.55	0.42	-	1.00	0.57	0.44	-	1.00	0.63	0.49	-
	ΔT	21	19	16	-	21	19	16	-	21	19	16	-	21	19	16	-	21	19	15	-	22	20	17	-	
	kW	2.21	2.21	2.21	-	2.47	2.47	2.46	-	2.75	2.75	2.75	-	3.06	3.06	3.06	-	3.41	3.41	3.40	-	3.82	3.81	3.81	-	
	Amps	7.9	7.9	7.8	-	9.0	9.0	9.0	-	10.3	10.3	10.3	-	11.8	11.8	11.7	-	13.3	13.3	13.3	-	15.2	15.2	15.2	-	
	Hi PR	256	257	259	-	296	297	299	-	339	340	341	-	384	385	387	-	433	435	436	-	486	487	489	-	
	Lo PR	121	123	126	-	129	130	133	-	135	137	140	-	141	142	145	-	146	148	151	-	153	155	158	-	
	MBh	35.3	35.7	36.8	-	34.9	35.4	36.5	-	34.0	34.5	35.6	-	32.5	33.0	34.0	-	30.6	31.0	32.1	-	28.8	29.3	30.3	-	
	S/T	0.67	0.59	0.46	-	0.67	0.60	0.46	-	0.70	0.62	0.49	-	1.00	0.64	0.51	-	1.00	0.67	0.53	-	1.00	0.72	0.58	-	
	ΔT	19	18	14	-	19	17	14	-	20	18	14	-	19	17	14	-	19	17	14	-	20	18	15	-	
kW	2.23	2.23	2.23	-	2.49	2.49	2.48	-	2.77	2.77	2.77	-	3.08	3.08	3.08	-	3.43	3.43	3.42	-	3.83	3.83	3.83	-		
Amps	8.0	7.9	7.9	-	9.1	9.1	9.1	-	10.4	10.4	10.4	-	11.9	11.8	11.8	-	13.4	13.4	13.4	-	15.3	15.3	15.3	-		
Hi PR	259	260	262	-	299	300	302	-	342	343	345	-	387	388	390	-	437	438	439	-	489	490	492	-		
Lo PR	124	125	129	-	131	133	136	-	138	139	142	-	143	145	148	-	149	150	153	-	155	157	160	-		
MBh	35.5	36.0	37.0	-	35.2	35.7	36.7	-	34.3	34.8	35.8	-	32.7	33.2	34.3	-	30.8	31.3	32.4	-	29.1	29.6	30.6	-		
S/T	0.69	0.61	0.48	-	0.69	0.62	0.48	-	0.72	0.64	0.51	-	1.00	0.66	0.53	-	1.00	0.69	0.55	-	1.00	0.74	0.60	-		
ΔT	19	17	13	-	19	17	13	-	19	17	14	-	19	17	13	-	19	17	13	-	20	18	14	-		
kW	2.24	2.24	2.23	-	2.49	2.49	2.49	-	2.78	2.78	2.77	-	3.09	3.09	3.08	-	3.43	3.43	3.43	-	3.84	3.84	3.83	-		
Amps	8.0	8.0	8.0	-	9.2	9.1	9.1	-	10.5	10.5	10.4	-	11.9	11.9	11.8	-	13.5	13.5	13.4	-	15.3	15.3	15.3	-		
Hi PR	260	261	263	-	300	301	303	-	343	344	346	-	388	389	391	-	438	439	440	-	490	491	493	-		
Lo PR	125	126	129	-	132	134	137	-	139	140	143	-	144	146	149	-	150	151	154	-	156	158	161	-		
75	1050	MBh	34.7	35.2	36.2	37.8	34.3	34.8	35.9	37.5	33.4	33.9	35.0	36.6	31.9	32.4	33.4	35.0	30.0	30.5	31.5	33.1	28.2	28.7	29.8	31.3
		S/T	0.71	0.63	0.49	0.4	0.71	0.64	0.50	0.4	1.00	0.66	0.53	0.4	1.00	0.68	0.54	0.4	1.00	0.70	0.57	0.4	1.00	0.75	0.62	0.5
	ΔT	25	23	20	16	25	23	20	16	26	24	20	16	25	23	20	16	25	23	20	16	26	24	21	17	
	kW	2.21	2.21	2.20	2.2	2.47	2.47	2.46	2.5	2.75	2.75	2.75	2.8	3.06	3.06	3.06	3.1	3.41	3.41	3.40	3.4	3.81	3.81	3.81	3.8	
	Amps	7.9	7.9	7.8	7.9	9.0	9.0	9.0	9.1	10.3	10.3	10.3	10.4	11.8	11.7	11.7	11.8	13.3	13.3	13.3	13.4	15.2	15.2	15.2	15.3	
	Hi PR	256	257	259	263.3	296	297	299	303.7	339	340	342	346.2	384	386	387	391.8	434	435	437	441.1	486	487	489	493.6	
	Lo PR	121	123	126	131.3	129	130	134	138.7	135	137	140	145.2	141	142	146	150.7	146	148	151	156.1	153	155	158	162.9	
	MBh	35.3	35.8	36.8	38.4	35.0	35.5	36.5	38.1	34.1	34.5	35.6	37.2	32.5	33.0	34.0	35.6	30.6	31.1	32.1	33.7	28.8	29.3	30.4	32.0	
	S/T	0.80	0.72	0.59	0.4	0.80	0.73	0.59	0.4	1.00	0.75	0.62	0.5	1.00	0.77	0.64	0.5	1.00	0.79	0.66	0.5	1.00	1.00	0.71	0.6	
	ΔT	24	22	18	14	24	22	18	14	24	22	18	15	24	22	18	14	23	21	18	14	24	23	19	15	
kW	2.23	2.23	2.22	2.24	2.49	2.48	2.48	2.50	2.77	2.77	2.77	2.79	3.08	3.08	3.08	3.09	3.43	3.43	3.42	3.44	3.83	3.83	3.83	3.85		
Amps	7.9	7.9	7.9	8.0	9.1	9.1	9.1	9.2	10.4	10.4	10.4	10.5	11.8	11.8	11.9	11.9	13.4	13.4	13.4	13.5	15.3	15.3	15.3	15.3		
Hi PR	259	260	262	266.3	299	301	302	306.8	342	343	345	349.2	388	389	390	394.9	437	438	440	444.1	489	490	492	496.7		
Lo PR	124	125	129	133.7	131	133	136	141.2	138	139	142	147.7	143	145	148	153.2	149	150	153	158.6	156	157	160	165.3		
MBh	35.5	36.0	37.1	38.7	35.2	35.7	36.8	38.3	34.3	34.8	35.8	37.4	32.8	33.2	34.3	35.9	30.8	31.3	32.4	34.0	29.1	29.6	30.6	32.2		
S/T	0.82	0.74	0.61	0.5	0.82	0.75	0.61	0.5	1.00	0.77	0.64	0.5	1.00	0.79	0.66	0.5	1.00	0.81	0.68	0.5	1.00	1.00	0.73	0.6		
ΔT	23	21	18	14	23	21	18	14	23	21	18	14	23	21	18	14	23	21	17	14	24	22	19	15		
kW	2.24	2.23	2.23	2.2	2.49	2.49	2.49	2.5	2.78	2.78	2.77	2.8	3.09	3.09	3.08	3.1	3.43	3.43	3.43	3.4	3.84	3.84	3.83	3.9		
Amps	8.0	8.0	7.9	8.0	9.1	9.1	9.1	9.2	10.5	10.4	10.4	10.5	11.9	11.9	11.8	11.9	13.5	13.4	13.4	13.5	15.3	15.3	15.3	15.4		
Hi PR	260	261	263	267.4	300	302	303	307.9	343	344	346	350.3	389	390	391	396.0	438	439	441	445.2	490	491	493	497.7		
Lo PR	125	126	130	134.7	132	134	137	142.1	139	140	143	148.6	144	146	149	154.1	150	151	154	159.5	156	158	161	166.3		

IDB: Entering Indoor Dry Bulb Temperature
 High and low pressures are measured at the liquid and suction service valves.
 Shaded area is ACCA (TVA) conditions.
 kW=Total system power
 Amps = outdoor unit amps (comp.+fan)

IDB	AIRFLOW	OUTDOOR AMBIENT TEMPERATURE																							
		65				75				85				95				105				115			
		59	63	67	71	59	63	67	71	59	63	67	71	59	63	67	71	59	63	67	71	59	63	67	71
80	MBh	34.8	35.3	36.4	38.0	34.5	35.0	36.1	37.6	33.6	34.1	35.1	36.7	32.1	32.5	33.6	35.2	30.1	30.6	31.7	33.3	28.4	28.9	29.9	31.5
	S/T	0.83	0.76	0.62	0.5	1.00	0.76	0.63	0.5	1.00	0.79	0.65	0.5	1.00	0.81	0.67	0.5	1.00	1.00	0.69	0.5	1.00	1.00	0.74	0.6
	ΔT	30	28	24	20	29	28	24	20	30	28	24	21	29	28	24	20	29	27	24	20	30	28	25	21
	kW	2.21	2.21	2.21	2.2	2.47	2.47	2.46	2.5	2.75	2.75	2.75	2.8	3.06	3.06	3.06	3.1	3.41	3.41	3.40	3.4	3.81	3.81	3.81	3.8
	Amps	7.9	7.9	7.8	7.9	9.0	9.0	9.0	9.1	10.3	10.3	10.3	10.4	11.8	11.8	11.7	11.8	13.3	13.3	13.3	13.4	15.2	15.2	15.2	15.3
	Hi PR	256	257	259	263.7	297	298	300	304.2	339	340	342	346.6	385	386	388	392.3	434	435	437	441.5	487	488	490	494.1
	Lo PR	122	124	127	131.8	129	131	134	139.2	136	137	141	145.7	141	143	146	151.2	147	148	151	156.6	154	155	158	163.4
	MBh	35.5	35.9	37.0	38.6	35.1	35.6	36.7	38.3	34.2	34.7	35.8	37.4	32.7	33.2	34.2	35.8	30.8	31.2	32.3	33.9	29.0	29.5	30.5	32.1
	S/T	1.00	0.85	0.71	0.6	1.00	0.85	0.72	0.6	1.00	0.88	0.74	0.6	1.00	1.00	0.76	0.6	1.00	1.00	0.78	0.6	1.00	1.00	0.84	0.7
	ΔT	28	26	22	19	28	26	22	19	28	26	23	19	28	26	22	19	28	26	22	18	29	27	23	20
kW	2.23	2.23	2.23	2.25	2.49	2.49	2.48	2.50	2.77	2.77	2.77	2.79	3.08	3.08	3.08	3.10	3.43	3.43	3.42	3.44	3.83	3.83	3.83	3.85	
Amps	8.0	7.9	7.9	8.0	9.1	9.1	9.1	9.2	10.4	10.4	10.4	10.5	11.8	11.8	11.8	11.9	13.4	13.4	13.4	13.5	15.3	15.3	15.3	15.3	
Hi PR	259	261	262	266.8	300	301	303	307.3	342	343	345	349.7	388	389	391	395.4	437	438	440	444.6	490	491	493	497.1	
Lo PR	124	126	129	134.3	132	133	137	141.7	138	140	143	148.2	144	145	149	153.7	149	151	154	159.1	156	158	161	165.9	
MBh	35.7	36.2	37.2	38.8	35.4	35.9	36.9	38.5	34.5	35.0	36.0	37.6	32.9	33.4	34.5	36.1	31.0	31.5	32.6	34.1	29.3	29.8	30.8	32.4	
S/T	1.00	0.87	0.73	0.6	1.00	0.87	0.74	0.6	1.00	0.90	0.76	0.6	1.00	1.00	0.78	0.6	1.00	1.00	0.80	0.7	1.00	1.00	0.86	0.7	
ΔT	27	25	22	18	27	25	22	18	28	26	22	18	27	25	22	18	27	25	22	18	28	26	23	19	
kW	2.24	2.24	2.23	2.3	2.49	2.49	2.49	2.5	2.78	2.78	2.77	2.8	3.09	3.09	3.08	3.1	3.43	3.43	3.43	3.4	3.84	3.84	3.83	3.9	
Amps	8.0	8.0	8.0	8.0	9.2	9.1	9.1	9.2	10.5	10.5	10.4	10.5	11.9	11.9	11.8	11.9	13.5	13.4	13.4	13.5	15.3	15.3	15.3	15.4	
Hi PR	260	262	263	267.9	301	302	304	308.4	343	344	346	350.8	389	390	392	396.4	438	439	441	445.7	491	492	494	498.2	
Lo PR	125	127	130	135.2	133	134	137	142.7	139	141	144	149.2	145	146	149	154.7	150	152	155	160.1	157	159	162	166.8	

IDB	AIRFLOW	OUTDOOR AMBIENT TEMPERATURE																							
		65				75				85				95				105				115			
		59	63	67	71	59	63	67	71	59	63	67	71	59	63	67	71	59	63	67	71	59	63	67	71
85	MBh	35.4	35.9	37.0	38.5	35.1	35.6	36.6	38.2	34.2	34.7	35.7	37.3	32.6	33.1	34.2	35.8	30.7	31.2	32.3	33.9	29.0	29.5	30.5	32.1
	S/T	1.00	0.86	0.72	0.6	1.00	0.86	0.73	0.6	1.00	1.00	0.75	0.6	1.00	1.00	0.77	0.6	1.00	1.00	0.79	0.7	1.00	1.00	1.00	0.7
	ΔT	33	31	28	24	33	31	28	24	33	32	28	24	33	31	28	24	33	31	27	24	34	32	29	25
	kW	2.22	2.22	2.21	2.2	2.47	2.47	2.47	2.5	2.76	2.76	2.75	2.8	3.07	3.07	3.06	3.1	3.41	3.41	3.41	3.4	3.82	3.82	3.81	3.8
	Amps	7.9	7.9	7.9	7.9	9.1	9.1	9.0	9.1	10.4	10.4	10.3	10.4	11.8	11.8	11.8	11.8	13.4	13.4	13.3	13.4	15.2	15.2	15.2	15.3
	Hi PR	258	259	260	264.9	298	299	301	305.4	340	342	343	347.8	386	387	389	393.5	435	436	438	442.7	488	489	491	495.3
	Lo PR	124	125	128	133.6	131	133	136	141.1	138	139	142	147.6	143	145	148	153.1	149	150	153	158.5	155	157	160	165.2
	MBh	36.0	36.5	37.6	39.2	35.7	36.2	37.3	38.8	34.8	35.3	36.3	37.9	33.3	33.7	34.8	36.4	31.3	31.8	32.9	34.5	29.6	30.1	31.1	32.7
	S/T	1.00	0.95	0.81	0.7	1.00	0.96	0.82	0.7	1.00	1.00	0.84	0.7	1.00	1.00	0.86	0.7	1.00	1.00	0.89	0.7	1.00	1.00	1.00	0.8
	ΔT	32	30	26	22	32	30	26	22	32	30	26	23	32	30	26	22	31	29	26	22	32	31	27	23
kW	2.24	2.23	2.23	2.25	2.49	2.49	2.49	2.51	2.78	2.78	2.77	2.79	3.09	3.09	3.08	3.10	3.43	3.43	3.43	3.45	3.84	3.84	3.83	3.85	
Amps	8.0	8.0	7.9	8.0	9.1	9.1	9.1	9.2	10.5	10.4	10.4	10.5	11.9	11.9	11.8	11.9	13.5	13.4	13.4	13.5	15.3	15.3	15.3	15.4	
Hi PR	261	262	264	268.0	301	302	304	308.5	344	345	346	350.9	389	390	392	396.6	438	440	441	445.8	491	492	494	498.3	
Lo PR	126	128	131	136.1	134	135	138	143.5	140	142	145	150.0	146	147	150	155.5	151	153	156	160.9	158	159	162	167.7	
MBh	36.3	36.8	37.8	39.4	36.0	36.5	37.5	39.1	35.1	35.6	36.6	38.2	33.5	34.0	35.1	36.6	31.6	32.1	33.1	34.7	29.9	30.4	31.4	33.0	
S/T	1.00	0.97	0.83	0.7	1.00	1.00	0.84	0.7	1.00	1.00	0.86	0.7	1.00	1.00	0.88	0.7	1.00	1.00	0.91	0.8	1.00	1.00	1.00	0.8	
ΔT	31	29	26	22	31	29	26	22	31	29	26	22	31	29	26	22	31	29	25	22	32	30	26	23	
kW	2.24	2.24	2.24	2.3	2.50	2.50	2.49	2.5	2.78	2.78	2.78	2.8	3.09	3.09	3.09	3.1	3.44	3.44	3.43	3.5	3.84	3.84	3.84	3.9	
Amps	8.0	8.0	8.0	8.1	9.2	9.2	9.1	9.2	10.5	10.5	10.5	10.5	11.9	11.9	11.9	12.0	13.5	13.5	13.5	13.5	15.3	15.3	15.3	15.4	
Hi PR	262	263	265	269.1	302	303	305	309.6	345	346	347	352.0	390	391	393	397.6	439	441	442	446.9	492	493	495	499.4	
Lo PR	127	129	132	137.1	135	136	139	144.5	141	143	146	151.0	147	148	151	156.5	152	154	157	161.9	159	160	163	168.7	

IDB: Entering Indoor Dry Bulb Temperature
 High and low pressures are measured at the liquid and suction service valves.
 Shaded area is AHRI conditions.
 kW=Total system power
 Amps = outdoor unit amps (comp.+fan)

IDB		OUTDOOR AMBIENT TEMPERATURE															ENTERING INDOOR WET BULB TEMPERATURE																																		
		65					75					85					95					105					115																								
		59	63	67	71	75	59	63	67	71	75	59	63	67	71	75	59	63	67	71	75	59	63	67	71	75	59	63	67	71	75																				
70	1480	MBh	45.7	46.3	47.7	-	45.3	45.9	47.3	-	44.1	44.7	46.1	-	42.0	42.7	44.0	-	39.5	40.2	41.5	-	37.2	37.9	39.2	-	MBh	46.4	47.0	48.4	-	46.0	46.6	48.0	-	44.8	45.4	46.8	-	42.7	43.4	44.7	-	40.2	40.9	42.2	-	37.9	38.6	39.9	-
		S/T	0.60	0.52	0.39	-	0.61	0.53	0.39	-	0.63	0.55	0.42	-	0.65	0.57	0.44	-	1.00	0.60	0.46	-	1.00	0.65	0.51	-	S/T	0.67	0.60	0.46	-	0.68	0.60	0.47	-	0.71	0.63	0.49	-	0.72	0.65	0.51	-	1.00	0.67	0.53	-	1.00	0.72	0.59	-
		ΔT	21	19	16	-	21	19	16	-	22	20	16	-	21	19	16	-	21	19	15	-	22	20	17	-	ΔT	20	18	14	-	20	18	14	-	20	18	15	-	20	18	14	-	20	18	14	-	21	19	15	-
		kW	2.97	2.97	2.97	-	3.32	3.31	3.31	-	3.70	3.69	3.69	-	4.11	4.11	4.10	-	4.57	4.57	4.56	-	5.11	5.11	5.10	-	kW	3.00	2.99	2.99	-	3.34	3.33	3.33	-	3.72	3.72	3.71	-	4.13	4.13	4.12	-	4.59	4.59	4.58	-	5.13	5.13	5.12	-
		Amps	10.6	10.6	10.6	-	12.2	12.2	12.1	-	13.9	13.9	13.9	-	15.8	15.8	15.8	-	18.0	18.0	18.0	-	20.5	20.5	20.4	-	Amps	10.7	10.7	10.7	-	12.3	12.3	12.2	-	14.0	14.0	14.0	-	15.9	15.9	15.9	-	18.0	18.0	18.0	-	20.5	20.5	20.4	-
		Hi PR	256	257	259	-	297	298	300	-	339	340	342	-	385	386	388	-	434	435	437	-	486	488	489	-	Hi PR	259	260	262	-	299	300	302	-	342	343	345	-	387	388	390	-	436	438	439	-	489	490	492	-
		Lo PR	120	122	125	-	127	129	132	-	134	135	138	-	139	141	144	-	145	146	149	-	151	153	156	-	Lo PR	122	124	127	-	129	131	134	-	136	137	140	-	141	143	146	-	147	148	151	-	153	155	158	-
		MBh	46.9	47.6	49.0	-	46.5	47.2	48.5	-	45.3	46.0	47.3	-	43.3	43.9	45.3	-	40.8	41.4	42.8	-	38.5	39.1	40.5	-	MBh	46.9	47.6	49.0	-	46.5	47.2	48.5	-	45.3	46.0	47.3	-	43.3	43.9	45.3	-	40.8	41.4	42.8	-	38.5	39.1	40.5	-
		S/T	0.70	0.63	0.49	-	0.71	0.63	0.49	-	0.73	0.66	0.52	-	0.75	0.68	0.54	-	1.00	0.70	0.56	-	1.00	0.75	0.61	-	S/T	0.70	0.63	0.49	-	0.71	0.63	0.49	-	0.73	0.66	0.52	-	0.75	0.68	0.54	-	1.00	0.70	0.56	-	1.00	0.75	0.61	-
		ΔT	19	17	14	-	19	17	13	-	19	17	14	-	19	17	13	-	19	17	13	-	20	18	14	-	ΔT	19	17	14	-	19	17	13	-	19	17	14	-	19	17	13	-	19	17	13	-	20	18	14	-
	kW	3.01	3.00	3.00	-	3.35	3.35	3.34	-	3.73	3.73	3.72	-	4.14	4.14	4.13	-	4.60	4.60	4.59	-	5.14	5.14	5.14	-	kW	3.01	3.00	3.00	-	3.35	3.35	3.34	-	3.73	3.73	3.72	-	4.14	4.14	4.13	-	4.60	4.60	4.59	-	5.14	5.14	5.14	-	
	Amps	10.8	10.7	10.7	-	12.3	12.3	12.3	-	14.1	14.1	14.0	-	16.0	15.9	15.9	-	18.1	18.1	18.0	-	20.5	20.5	20.4	-	Amps	10.8	10.7	10.7	-	12.3	12.3	12.3	-	14.1	14.1	14.0	-	16.0	15.9	15.9	-	18.1	18.1	18.0	-	20.5	20.5	20.4	-	
	Hi PR	260	261	263	-	301	302	304	-	343	344	346	-	389	390	392	-	438	439	441	-	491	492	494	-	Hi PR	260	261	263	-	301	302	304	-	343	344	346	-	389	390	392	-	438	439	441	-	491	492	494	-	
	Lo PR	124	125	128	-	131	132	135	-	137	139	142	-	143	144	147	-	148	150	153	-	155	156	159	-	Lo PR	124	125	128	-	131	132	135	-	137	139	142	-	143	144	147	-	148	150	153	-	155	156	159	-	
75	1480	MBh	45.7	46.4	47.7	49.8	45.3	46.0	47.3	49.4	44.1	44.8	46.1	48.2	42.1	42.7	44.1	46.2	39.5	40.2	41.6	43.6	37.2	37.9	39.3	41.3	MBh	46.4	47.1	48.4	50.5	46.0	46.6	48.0	50.1	44.8	45.5	46.8	48.9	42.7	43.4	44.8	46.9	40.2	40.9	42.2	44.3	37.9	38.6	40.0	42.0
		S/T	0.73	0.65	0.52	0.4	0.74	0.66	0.52	0.4	1.00	0.68	0.55	0.4	1.00	0.70	0.57	0.4	1.00	0.80	0.66	0.5	1.00	1.00	0.72	0.6	S/T	0.80	0.73	0.59	0.4	0.81	0.73	0.60	0.5	1.00	0.76	0.62	0.5	1.00	0.78	0.64	0.5	1.00	0.80	0.66	0.5	1.00	1.00	0.72	0.6
		ΔT	26	24	20	16	26	24	20	16	26	24	20	16	26	24	20	16	25	23	20	16	27	25	21	17	ΔT	24	22	19	15	24	22	19	15	24	22	19	15	24	22	19	15	24	22	18	15	25	23	20	16
		kW	2.97	2.97	2.96	3.0	3.31	3.31	3.31	3.3	3.69	3.69	3.69	3.7	4.11	4.10	4.10	4.1	4.57	4.57	4.56	4.6	5.11	5.11	5.10	5.1	kW	2.99	2.99	2.98	3.01	3.33	3.33	3.33	3.35	3.72	3.71	3.71	3.73	4.13	4.12	4.12	4.15	4.59	4.59	4.58	4.61	5.13	5.13	5.12	5.15
		Amps	10.6	10.6	10.6	10.7	12.2	12.2	12.1	12.2	13.9	13.9	13.9	14.0	15.8	15.8	15.8	15.9	17.9	17.9	17.9	18.0	20.4	20.4	20.3	20.5	Amps	10.7	10.7	10.7	10.8	12.3	12.2	12.2	12.3	14.0	14.0	14.0	14.1	15.9	15.9	16.0	16.0	18.0	18.0	18.0	18.1	20.5	20.5	20.4	20.6
		Hi PR	256	257	259	263.7	297	298	300	304.2	339	340	342	346.6	385	386	388	392.3	434	435	437	441.5	487	488	490	494.1	Hi PR	259	260	262	266.3	299	301	302	306.8	342	343	345	349.2	387	389	390	394.9	437	438	440	444.1	489	490	492	496.6
		Lo PR	120	122	125	129.7	127	129	132	137.1	134	135	138	143.5	139	141	144	148.9	145	146	149	154.2	151	153	156	160.9	Lo PR	122	124	127	131.8	129	131	134	139.1	136	137	140	145.5	141	143	146	151.0	147	148	151	156.3	153	155	158	162.9
		MBh	46.4	47.1	48.4	50.5	46.0	46.6	48.0	50.1	44.8	45.5	46.8	48.9	42.7	43.4	44.8	46.9	40.2	40.9	42.2	44.3	37.9	38.6	40.0	42.0	MBh	47.0	47.6	49.0	51.1	46.6	47.2	48.6	50.7	45.4	46.0	47.4	49.5	43.3	43.9	45.3	47.4	40.8	41.4	42.8	44.9	38.5	39.1	40.5	42.6
		S/T	0.83	0.76	0.62	0.5	0.84	0.76	0.63	0.5	1.00	0.79	0.65	0.5	1.00	0.81	0.67	0.5	1.00	0.83	0.69	0.5	1.00	1.00	0.74	0.6	S/T	0.83	0.76	0.62	0.5	0.84	0.76	0.63	0.5	1.00	0.79	0.65	0.5	1.00	0.81	0.67	0.5	1.00	0.83	0.69	0.5	1.00	1.00	0.74	0.6
		ΔT	23	21	18	14	23	21	18	14	24	22	18	14	23	21	18	14	23	21	17	14	24	22	19	15	ΔT	23	21	18	14	23	21	18	14	24	22	18	14	23	21	18	14	23	21	17	14	24	22	19	15
	kW	3.01	3.00	3.00	3.0	3.35	3.34	3.34	3.4	3.73	3.73	3.72	3.7	4.14	4.14	4.13	4.2	4.60	4.60	4.59	4.6	5.14	5.14	5.13	5.2	kW	3.01	3.00	3.00	3.0	3.35	3.34	3.34	3.4	3.73	3.73	3.72	3.7	4.14	4.14	4.13	4.2	4.60	4.60	4.59	4.6	5.14	5.14	5.13	5.2	
	Amps	10.7	10.7	10.7	10.8	12.3	12.3	12.3	12.4	14.1	14.0	14.0	14.1	15.9	15.9	15.9	16.0	18.1	18.0	18.0	18.1	20.5	20.5	20.5	20.6	Amps	10.7	10.7	10.7	10.8	12.3	12.3	12.3	12.4	14.1	14.0	14.0	14.1	15.9	15.9	15.9	16.0	18.1	18.0	18.0	18.1	20.5	20.5	20.5	20.6	
	Hi PR	261	262	263	268.0	301	302	304	308.4	343	345	346	350.9	389	390	392	396.5	438	439	441	445.7	491	492	494	498.3	Hi PR	261	262	263	268.0	301	302	304	308.4	343	345	346	350.9	389	390	392	396.5	438	439	441	445.7	491	492	494	498.3	
	Lo PR	124	125	128	133.3	131	132	136	140.6	137	139	142	147.0	143	144	147	152.5	148	150	153	157.8	155	156	159	164.4	Lo PR	124	125	128	133.3	131	132	136	140.6	137	139	142	147.0	143	144	147	152.5	148	150	153	157.8	155	156	159	164.4	

IDB: Entering Indoor Dry Bulb Temperature
 High and low pressures are measured at the liquid and suction service valves.
 Shaded area is ACCA (TVA) conditions.
 kW=Total system power
 Amps = outdoor unit amps (comp.+fan)

IDB	AIRFLOW	OUTDOOR AMBIENT TEMPERATURE																								
		65				75				85				95				105				115				
		59	63	67	71	59	63	67	71	59	63	67	71	59	63	67	71	59	63	67	71	59	63	67	71	
80	1480	MBh	46.0	46.6	48.0	50.1	45.5	46.2	47.6	49.6	44.3	45.0	46.4	48.5	42.3	42.9	44.3	46.4	39.8	40.4	41.8	43.9	37.5	38.1	39.5	41.6
		S/T	0.86	0.78	0.64	0.5	1.00	0.79	0.65	0.5	1.00	0.81	0.67	0.5	1.00	0.83	0.69	0.5	1.00	1.00	0.72	0.6	1.00	1.00	0.77	0.6
	ΔT	30	28	24	21	30	28	24	21	30	28	25	21	30	28	24	20	30	28	24	20	31	29	25	21	
	kW	2.97	2.97	2.97	3.0	3.32	3.31	3.31	3.3	3.70	3.69	3.69	3.7	4.11	4.11	4.10	4.1	4.57	4.57	4.56	4.6	5.11	5.11	5.10	5.1	
	Amps	10.6	10.6	10.6	10.7	12.2	12.2	12.1	12.3	13.9	13.9	13.9	14.0	15.8	15.8	15.8	15.9	17.9	17.9	17.9	18.0	20.4	20.4	20.3	20.5	
	Hi PR	257	258	260	264.2	297	298	300	304.7	340	341	343	347.1	385	386	388	392.8	435	436	438	442.0	487	488	490	494.5	
	Lo PR	121	122	125	130.3	128	129	132	137.6	134	136	139	144.0	140	141	144	149.4	145	147	150	154.7	152	153	156	161.4	
	MBh	46.6	47.3	48.7	50.8	46.2	46.9	48.3	50.3	45.0	45.7	47.1	49.1	43.0	43.6	45.0	47.1	40.5	41.1	42.5	44.6	38.2	38.8	40.2	42.3	
	S/T	1.00	0.85	0.72	0.6	1.00	0.86	0.72	0.6	1.00	0.89	0.75	0.6	1.00	0.91	0.77	0.6	1.00	1.00	0.79	0.6	1.00	1.00	0.84	0.7	
	ΔT	29	27	23	19	28	27	23	19	29	27	23	19	28	27	23	19	28	26	23	19	29	27	24	20	
kW	3.00	2.99	2.99	3.01	3.34	3.33	3.33	3.35	3.72	3.72	3.71	3.74	4.13	4.13	4.12	4.15	4.59	4.59	4.58	4.61	5.13	5.13	5.12	5.15		
Amps	10.7	10.7	10.7	10.8	12.3	12.3	12.2	12.3	14.0	14.0	14.0	14.1	15.9	15.9	15.9	16.0	18.0	18.0	18.0	18.1	20.5	20.5	20.4	20.6		
Hi PR	259	261	262	266.8	300	301	303	307.3	342	343	345	349.7	388	389	391	395.3	437	438	440	444.6	490	491	493	497.1		
Lo PR	123	124	127	132.3	130	131	135	139.7	136	138	141	146.1	142	143	146	151.5	147	149	152	156.8	154	155	158	163.5		
MBh	47.2	47.8	49.2	51.3	46.8	47.4	48.8	50.9	45.6	46.2	47.6	49.7	43.5	44.2	45.6	47.6	41.0	41.7	43.0	45.1	38.7	39.4	40.7	42.8		
S/T	1.00	0.88	0.75	0.6	1.00	0.89	0.75	0.6	1.00	0.91	0.78	0.6	1.00	0.93	0.80	0.7	1.00	1.00	0.82	0.7	1.00	1.00	0.87	0.7		
ΔT	28	26	22	18	28	26	22	18	28	26	22	19	28	26	22	18	27	25	22	18	29	27	23	19		
kW	3.01	3.00	3.00	3.0	3.35	3.35	3.34	3.4	3.73	3.73	3.72	3.7	4.14	4.14	4.13	4.2	4.60	4.60	4.59	4.6	5.14	5.14	5.14	5.2		
Amps	10.8	10.7	10.7	10.8	12.3	12.3	12.3	12.4	14.1	14.1	14.0	14.1	16.0	15.9	15.9	16.0	18.1	18.1	18.0	18.1	20.5	20.5	20.5	20.6		
Hi PR	261	262	264	268.4	302	303	304	308.9	344	345	347	351.3	390	391	393	397.0	439	440	442	446.2	491	492	494	498.8		
Lo PR	124	126	129	133.8	131	133	136	141.2	138	139	142	147.6	143	145	148	153.0	149	150	153	158.3	155	157	160	165.0		
85	1400	MBh	46.7	47.4	48.7	50.8	46.3	47.0	48.3	50.4	45.1	45.8	47.1	49.2	43.1	43.7	45.1	47.2	40.5	41.2	42.6	44.7	38.3	38.9	40.3	42.4
		S/T	1.00	0.88	0.75	0.6	1.00	0.89	0.75	0.6	1.00	0.90	0.78	0.6	1.00	0.90	0.80	0.7	1.00	1.00	0.82	0.7	1.00	1.00	0.87	0.7
	ΔT	34	32	28	24	34	32	28	24	34	32	28	25	34	32	28	24	33	31	28	24	35	33	29	25	
	kW	2.98	2.98	2.97	3.0	3.32	3.32	3.31	3.3	3.70	3.70	3.69	3.7	4.12	4.11	4.11	4.1	4.58	4.57	4.57	4.6	5.12	5.11	5.11	5.1	
	Amps	10.6	10.6	10.6	10.7	12.2	12.2	12.2	12.3	13.9	13.9	13.9	14.0	15.8	15.8	15.8	15.9	17.9	17.9	17.9	18.0	20.4	20.4	20.4	20.5	
	Hi PR	258	259	261	265.4	299	300	301	305.9	341	342	344	348.3	387	388	390	394.0	436	437	439	443.2	488	489	491	495.7	
	Lo PR	122	124	127	132.1	130	131	134	139.4	136	138	141	145.8	142	143	146	151.2	147	148	151	156.5	154	155	158	163.2	
	MBh	47.4	48.1	49.4	51.5	47.0	47.7	49.0	51.1	45.8	46.5	47.8	49.9	43.8	44.4	45.8	47.9	41.2	41.9	43.3	45.3	38.9	39.6	41.0	43.1	
	S/T	1.00	0.96	0.82	0.7	1.00	0.96	0.83	0.7	1.00	0.96	0.85	0.7	1.00	1.00	0.87	0.7	1.00	1.00	0.89	0.7	1.00	1.00	1.00	0.8	
	ΔT	32	30	27	23	32	30	27	23	33	31	27	23	32	30	27	23	32	30	26	23	33	31	28	24	
kW	3.00	3.00	2.99	3.02	3.34	3.34	3.33	3.36	3.72	3.72	3.72	3.74	4.14	4.13	4.13	4.15	4.60	4.59	4.59	4.62	5.14	5.14	5.13	5.16		
Amps	10.7	10.7	10.7	10.8	12.3	12.3	12.3	12.4	14.0	14.0	14.0	14.1	15.9	15.9	15.9	16.0	18.0	18.0	18.0	18.1	20.5	20.5	20.5	20.6		
Hi PR	261	262	264	268.0	301	302	304	308.5	343	345	346	350.9	389	390	392	396.5	438	440	441	445.8	491	492	494	498.3		
Lo PR	124	126	129	134.1	132	133	136	141.5	138	140	143	147.9	144	145	148	153.3	149	150	153	158.6	156	157	160	165.3		
MBh	48.0	48.6	50.0	52.1	47.6	48.2	49.6	51.7	46.4	47.0	48.4	50.5	44.3	45.0	46.3	48.4	41.8	42.4	43.8	45.9	39.5	40.1	41.5	43.6		
S/T	1.00	0.99	0.85	0.7	1.00	0.99	0.85	0.7	1.00	1.00	0.88	0.7	1.00	1.00	0.90	0.8	1.00	1.00	0.92	0.8	1.00	1.00	1.00	0.8		
ΔT	32	30	26	22	32	30	26	22	32	30	26	22	32	30	26	22	31	29	26	22	32	31	27	23		
kW	3.01	3.01	3.00	3.0	3.35	3.35	3.35	3.4	3.74	3.73	3.73	3.8	4.15	4.15	4.14	4.2	4.61	4.61	4.60	4.6	5.15	5.15	5.14	5.2		
Amps	10.8	10.8	10.7	10.9	12.4	12.3	12.3	12.4	14.1	14.1	14.1	14.2	16.0	16.0	15.9	16.1	18.1	18.1	18.1	18.2	20.6	20.6	20.5	20.6		
Hi PR	262	263	265	269.6	303	304	306	310.1	345	346	348	352.5	391	392	394	398.2	440	441	443	447.4	493	494	495	500.0		
Lo PR	126	127	131	135.6	133	135	138	143.0	140	141	144	149.4	145	147	150	154.8	150	152	155	160.1	157	159	162	166.8		

IDB: Entering Indoor Dry Bulb Temperature
 High and low pressures are measured at the liquid and suction service valves.
 Shaded area is AHRI conditions.
 Amps = outdoor unit amps (comp.+fan)
 kW=Total system power

IDB		OUTDOOR AMBIENT TEMPERATURE																													
		65					75					85					95					105					115				
		59	63	67	71	75	59	63	67	71	75	59	63	67	71	75	59	63	67	71	75	59	63	67	71	75	59	63	67	71	75
ENTERING INDOOR WET BULB TEMPERATURE																															
AIRFLOW	59	63	67	71	75	59	63	67	71	75	59	63	67	71	75	59	63	67	71	75	59	63	67	71	75	59	63	67	71	75	
1480	MBh	45.7	46.3	47.7	-	45.3	45.9	47.3	-	44.1	44.7	46.1	-	42.0	42.7	44.0	-	39.5	40.2	41.5	-	37.2	37.9	39.2	-						
	S/T	0.60	0.52	0.39	-	0.61	0.53	0.39	-	0.63	0.55	0.42	-	0.65	0.57	0.44	-	1.00	0.60	0.46	-	1.00	0.65	0.51	-						
	ΔT	21	19	16	-	21	19	16	-	22	20	16	-	21	19	16	-	21	19	15	-	22	20	17	-						
	kW	2.97	2.97	2.97	-	3.32	3.31	3.31	-	3.70	3.69	3.69	-	4.11	4.11	4.10	-	4.57	4.57	4.56	-	5.11	5.11	5.10	-						
	Amps	10.6	10.6	10.6	-	12.2	12.2	12.1	-	13.9	13.9	13.9	-	15.8	15.8	15.8	-	17.9	17.9	17.9	-	20.4	20.4	20.3	-						
	Hi PR	256	257	259	-	297	298	300	-	339	340	342	-	385	386	388	-	434	435	437	-	486	488	489	-						
Lo PR	120	122	125	-	127	129	132	-	134	135	138	-	139	141	144	-	145	146	149	-	151	153	156	-							
70	MBh	46.4	47.0	48.4	-	46.0	46.6	48.0	-	44.8	45.4	46.8	-	42.7	43.4	44.7	-	40.2	40.9	42.2	-	37.9	38.6	39.9	-						
	S/T	0.67	0.60	0.46	-	0.68	0.60	0.47	-	0.71	0.63	0.49	-	0.72	0.65	0.51	-	1.00	0.67	0.53	-	1.00	0.72	0.59	-						
	ΔT	20	18	14	-	20	18	14	-	20	18	15	-	20	18	14	-	20	18	14	-	21	19	15	-						
	kW	3.00	2.99	2.99	-	3.34	3.33	3.33	-	3.72	3.72	3.71	-	4.13	4.13	4.12	-	4.59	4.59	4.58	-	5.13	5.13	5.12	-						
	Amps	10.7	10.7	10.7	-	12.3	12.3	12.2	-	14.0	14.0	14.0	-	15.9	15.9	15.9	-	18.0	18.0	18.0	-	20.5	20.5	20.4	-						
	Hi PR	259	260	262	-	299	300	302	-	342	343	345	-	387	388	390	-	436	438	439	-	489	490	492	-						
Lo PR	122	124	127	-	129	131	134	-	136	137	140	-	141	143	146	-	147	148	151	-	153	155	158	-							
1800	MBh	46.9	47.6	49.0	-	46.5	47.2	48.5	-	45.3	46.0	47.3	-	43.3	43.9	45.3	-	40.8	41.4	42.8	-	38.5	39.1	40.5	-						
	S/T	0.70	0.63	0.49	-	0.71	0.63	0.49	-	0.73	0.66	0.52	-	0.75	0.68	0.54	-	1.00	0.70	0.56	-	1.00	0.75	0.61	-						
	ΔT	19	17	14	-	19	17	13	-	19	17	14	-	19	17	13	-	19	17	13	-	20	18	14	-						
	kW	3.01	3.00	3.00	-	3.35	3.35	3.34	-	3.73	3.73	3.72	-	4.14	4.14	4.13	-	4.60	4.60	4.59	-	5.14	5.14	5.14	-						
	Amps	10.8	10.7	10.7	-	12.3	12.3	12.3	-	14.1	14.1	14.0	-	16.0	15.9	15.9	-	18.1	18.1	18.0	-	20.5	20.5	20.5	-						
	Hi PR	260	261	263	-	301	302	304	-	343	344	346	-	389	390	392	-	438	439	441	-	491	492	494	-						
Lo PR	124	125	128	-	131	132	135	-	137	139	142	-	143	144	147	-	148	150	153	-	155	156	159	-							
1480	MBh	45.7	46.4	47.7	49.8	45.3	46.0	47.3	49.4	44.1	44.8	46.1	48.2	42.1	42.7	44.1	46.2	39.5	40.2	41.6	43.6	37.2	37.9	39.3	41.3						
	S/T	0.73	0.65	0.52	0.4	0.74	0.66	0.52	0.4	1.00	0.68	0.55	0.4	1.00	0.70	0.57	0.4	1.00	0.73	0.59	0.4	1.00	0.78	0.64	0.5						
	ΔT	26	24	20	16	26	24	20	16	26	24	20	16	26	24	20	16	25	23	20	16	27	25	21	17						
	kW	2.97	2.97	2.96	3.0	3.31	3.31	3.31	3.3	3.69	3.69	3.69	3.7	4.11	4.10	4.10	4.1	4.57	4.57	4.56	4.6	5.11	5.11	5.10	5.1						
	Amps	10.6	10.6	10.6	10.7	12.2	12.1	12.1	12.2	13.9	13.9	13.9	14.0	15.8	15.8	15.8	15.9	17.9	17.9	17.9	18.0	20.4	20.4	20.3	20.5						
	Hi PR	256	257	259	263.7	297	298	300	304.2	339	340	342	346.6	385	386	388	392.3	434	435	437	441.5	487	488	490	494.1						
Lo PR	120	122	125	129.7	127	129	132	137.1	134	135	138	143.5	139	141	144	148.9	145	146	149	154.2	151	153	156	160.9							
75	MBh	46.4	47.1	48.4	50.5	46.0	46.6	48.0	50.1	44.8	45.5	46.8	48.9	42.7	43.4	44.8	46.9	40.2	40.9	42.2	44.3	37.9	38.6	40.0	42.0						
	S/T	0.80	0.73	0.59	0.4	0.81	0.73	0.60	0.5	1.00	0.76	0.62	0.5	1.00	0.78	0.64	0.5	1.00	0.80	0.66	0.5	1.00	1.00	0.72	0.6						
	ΔT	24	22	19	15	24	22	19	15	24	22	19	15	24	22	19	15	24	22	18	15	25	23	20	16						
	kW	2.99	2.99	2.98	3.01	3.33	3.33	3.33	3.35	3.72	3.71	3.71	3.73	4.13	4.13	4.12	4.15	4.59	4.59	4.58	4.61	5.13	5.13	5.12	5.15						
	Amps	10.7	10.7	10.7	10.8	12.3	12.2	12.2	12.3	14.0	14.0	14.0	14.1	15.9	15.9	15.9	16.0	18.0	18.0	18.0	18.1	20.5	20.5	20.4	20.6						
	Hi PR	259	260	262	266.3	299	301	302	306.8	342	343	345	349.2	387	389	390	394.9	437	438	440	444.1	489	490	492	496.6						
Lo PR	122	124	127	131.8	129	131	134	139.1	136	137	140	145.5	141	143	146	151.0	147	148	151	156.3	153	155	158	162.9							
1800	MBh	47.0	47.6	49.0	51.1	46.6	47.2	48.6	50.7	45.4	46.0	47.4	49.5	43.3	43.9	45.3	47.4	40.8	41.4	42.8	44.9	38.5	39.1	40.5	42.6						
	S/T	0.83	0.76	0.62	0.5	0.84	0.76	0.63	0.5	1.00	0.79	0.65	0.5	1.00	0.81	0.67	0.5	1.00	0.83	0.69	0.5	1.00	1.00	0.74	0.6						
	ΔT	23	21	18	14	23	21	18	14	24	22	18	14	23	21	18	14	23	21	17	14	24	22	19	15						
	kW	3.01	3.00	3.00	3.0	3.35	3.34	3.34	3.4	3.73	3.73	3.72	3.7	4.14	4.14	4.13	4.2	4.60	4.60	4.59	4.6	5.14	5.14	5.13	5.2						
	Amps	10.7	10.7	10.7	10.8	12.3	12.3	12.3	12.4	14.1	14.0	14.0	14.1	15.9	15.9	15.9	16.0	18.1	18.0	18.0	18.1	20.5	20.5	20.5	20.6						
	Hi PR	261	262	263	268.0	301	302	304	308.4	343	345	346	350.9	389	390	392	396.5	438	439	441	445.7	491	492	494	498.3						
Lo PR	124	125	128	133.3	131	132	136	140.6	137	139	142	147.0	143	144	147	152.5	148	150	153	157.8	155	156	159	164.4							

KW=Total system power
Amps = outdoor unit amps (comp.+fan)

Shaded area is ACCA (TVA) conditions.

IDB: Entering Indoor Dry Bulb Temperature
High and low pressures are measured at the liquid and suction service valves.

IDB	AIRFLOW	OUTDOOR AMBIENT TEMPERATURE												ENTERING INDOOR WET BULB TEMPERATURE											
		65				75				85				95				105				115			
		59	63	67	71	59	63	67	71	59	63	67	71	59	63	67	71	59	63	67	71	59	63	67	71
80	MBh	46.0	46.6	48.0	50.1	45.5	46.2	47.6	49.6	44.3	45.0	46.4	48.5	42.3	42.9	44.3	46.4	39.8	40.4	41.8	43.9	37.5	38.1	39.5	41.6
	S/T	0.86	0.78	0.64	0.5	1.00	0.79	0.65	0.5	1.00	0.81	0.67	0.5	1.00	0.83	0.69	0.5	1.00	1.00	0.72	0.6	1.00	1.00	0.77	0.6
	ΔT	30	28	24	21	30	28	24	21	30	28	25	21	30	28	24	20	30	28	24	20	31	29	25	21
	kW	2.97	2.97	2.97	3.0	3.32	3.31	3.31	3.3	3.70	3.69	3.69	3.7	4.11	4.11	4.10	4.1	4.57	4.57	4.56	4.6	5.11	5.11	5.10	5.1
	Amps	10.6	10.6	10.6	10.7	12.2	12.2	12.2	12.3	13.9	13.9	13.9	14.0	15.8	15.8	15.8	15.9	17.9	17.9	17.9	18.0	20.4	20.4	20.3	20.5
	Hi PR	257	258	260	264.2	297	298	300	304.7	340	341	343	347.1	385	386	388	392.8	435	436	438	442.0	487	488	490	494.5
	Lo PR	121	122	125	130.3	128	129	132	137.6	134	136	139	144.0	140	141	144	149.4	145	147	150	154.7	152	153	156	161.4
	MBh	46.6	47.3	48.7	50.8	46.2	46.9	48.3	50.3	45.0	45.7	47.1	49.1	43.0	43.6	45.0	47.1	40.5	41.1	42.5	44.6	38.2	38.8	40.2	42.3
	S/T	1.00	0.85	0.72	0.6	1.00	0.86	0.72	0.6	1.00	0.89	0.75	0.6	1.00	0.91	0.77	0.6	1.00	1.00	0.79	0.6	1.00	1.00	0.84	0.7
	ΔT	29	27	23	19	28	27	23	19	29	27	23	19	28	27	23	19	28	26	23	19	29	27	24	20
kW	3.00	2.99	2.99	3.01	3.34	3.33	3.33	3.35	3.72	3.72	3.71	3.74	4.13	4.13	4.12	4.15	4.59	4.59	4.58	4.61	5.13	5.13	5.12	5.15	
Amps	10.7	10.7	10.7	10.8	12.3	12.3	12.2	12.3	14.0	14.0	14.0	14.1	15.9	15.9	15.9	16.0	18.0	18.0	18.0	18.1	20.5	20.5	20.4	20.6	
Hi PR	259	261	262	266.8	300	301	303	307.3	342	343	345	349.7	388	389	391	395.3	437	438	440	444.6	490	491	493	497.1	
Lo PR	123	124	127	132.3	130	131	135	139.7	136	138	141	146.1	142	143	146	151.5	147	149	152	156.8	154	155	158	163.5	
MBh	47.2	47.8	49.2	51.3	46.8	47.4	48.8	50.9	45.6	46.2	47.6	49.7	43.5	44.2	45.6	47.6	41.0	41.7	43.0	45.1	38.7	39.4	40.7	42.8	
S/T	1.00	0.88	0.75	0.6	1.00	0.89	0.75	0.6	1.00	0.91	0.78	0.6	1.00	0.93	0.80	0.7	1.00	1.00	0.82	0.7	1.00	1.00	0.87	0.7	
ΔT	28	26	22	18	28	26	22	18	28	26	22	19	28	26	22	18	27	25	22	18	29	27	23	19	
kW	3.01	3.00	3.00	3.0	3.35	3.35	3.34	3.4	3.73	3.73	3.72	3.7	4.14	4.14	4.13	4.2	4.60	4.60	4.59	4.6	5.14	5.14	5.14	5.2	
Amps	10.8	10.7	10.7	10.8	12.3	12.3	12.3	12.4	14.1	14.1	14.0	14.1	16.0	15.9	15.9	16.0	18.1	18.1	18.0	18.1	20.5	20.5	20.5	20.6	
Hi PR	261	262	264	268.4	302	303	304	308.9	344	345	347	351.3	390	391	393	397.0	439	440	442	446.2	491	492	494	498.8	
Lo PR	124	126	129	133.8	131	133	136	141.2	138	139	142	147.6	143	145	148	153.0	149	150	153	158.3	155	157	160	165.0	
85	MBh	46.7	47.4	48.7	50.8	46.3	47.0	48.3	50.4	45.1	45.8	47.1	49.2	43.1	43.7	45.1	47.2	40.5	41.2	42.6	44.7	38.3	38.9	40.3	42.4
	S/T	1.00	0.88	0.75	0.6	1.00	0.89	0.75	0.6	1.00	0.90	0.78	0.6	1.00	0.92	0.80	0.7	1.00	1.00	0.82	0.7	1.00	1.00	0.87	0.7
	ΔT	34	32	28	24	34	32	28	24	34	32	28	25	34	32	28	24	33	31	28	24	35	33	29	25
	kW	2.98	2.98	2.97	3.0	3.32	3.32	3.31	3.3	3.70	3.70	3.69	3.7	4.12	4.11	4.11	4.1	4.58	4.57	4.57	4.6	5.12	5.11	5.11	5.1
	Amps	10.6	10.6	10.6	10.7	12.2	12.2	12.2	12.3	13.9	13.9	13.9	14.0	15.8	15.8	15.8	15.9	17.9	17.9	17.9	18.0	20.4	20.4	20.4	20.5
	Hi PR	258	259	261	265.4	299	300	301	305.9	341	342	344	348.3	387	388	390	394.0	436	437	439	443.2	488	489	491	495.7
	Lo PR	122	124	127	132.1	130	131	134	139.4	136	138	141	145.8	142	143	146	151.2	147	148	151	156.5	154	155	158	163.2
	MBh	47.4	48.1	49.4	51.5	47.0	47.7	49.0	51.1	45.8	46.5	47.8	49.9	43.8	44.4	45.8	47.9	41.2	41.9	43.3	45.3	38.9	39.6	41.0	43.1
	S/T	1.00	0.96	0.82	0.7	1.00	0.96	0.83	0.7	1.00	0.97	0.85	0.7	1.00	0.99	0.87	0.7	1.00	1.00	0.89	0.7	1.00	1.00	1.00	0.8
	ΔT	32	30	27	23	32	30	27	23	33	31	27	23	32	30	27	23	32	30	26	23	33	31	28	24
kW	3.00	3.00	2.99	3.02	3.34	3.34	3.33	3.36	3.72	3.72	3.72	3.74	4.14	4.13	4.13	4.15	4.60	4.59	4.59	4.62	5.14	5.14	5.13	5.16	
Amps	10.7	10.7	10.7	10.8	12.3	12.3	12.3	12.4	14.0	14.0	14.0	14.1	15.9	15.9	15.9	16.0	18.0	18.0	18.0	18.1	20.5	20.5	20.5	20.6	
Hi PR	261	262	264	268.0	301	302	304	308.5	343	345	346	350.9	389	390	392	396.5	438	440	441	445.8	491	492	494	498.3	
Lo PR	124	126	129	134.1	132	133	136	141.5	138	140	143	147.9	144	145	148	153.3	149	150	153	158.6	156	157	160	165.3	
MBh	48.0	48.6	50.0	52.1	47.6	48.2	49.6	51.7	46.4	47.0	48.4	50.5	44.3	45.0	46.3	48.4	41.8	42.4	43.8	45.9	39.5	40.1	41.5	43.6	
S/T	1.00	0.99	0.85	0.7	1.00	0.99	0.85	0.7	1.00	1.00	0.88	0.7	1.00	1.00	0.90	0.8	1.00	1.00	0.92	0.8	1.00	1.00	1.00	0.8	
ΔT	32	30	26	22	32	30	26	22	32	30	26	22	32	30	26	22	31	29	26	22	32	31	27	23	
kW	3.01	3.01	3.00	3.0	3.35	3.35	3.35	3.4	3.74	3.73	3.73	3.8	4.15	4.15	4.14	4.2	4.61	4.61	4.60	4.6	5.15	5.15	5.14	5.2	
Amps	10.8	10.8	10.7	10.9	12.4	12.3	12.3	12.4	14.1	14.1	14.1	14.2	16.0	16.0	15.9	16.1	18.1	18.1	18.1	18.2	20.6	20.6	20.5	20.6	
Hi PR	262	263	265	269.6	303	304	306	310.1	345	346	348	352.5	391	392	394	398.2	440	441	443	447.4	493	494	495	500.0	
Lo PR	126	127	131	135.6	133	135	138	143.0	140	141	144	149.4	145	147	150	154.8	150	152	155	160.1	157	159	162	166.8	

IDB: Entering Indoor Dry Bulb Temperature
 High and low pressures are measured at the liquid and suction service valves.
 Shaded area is AHRI conditions.
 kW=Total system power
 Amps = outdoor unit amps (comp.+fan)

IDB	AIRFLOW	OUTDOOR AMBIENT TEMPERATURE																									
		65				75				85				95				105				115					
		59	63	67	71	59	63	67	71	59	63	67	71	59	63	67	71	59	63	67	71	59	63	67	71		
70	1565	MBh	55.7	56.4	58.1	-	55.2	55.9	57.6	-	53.7	54.5	56.2	-	51.3	52.0	53.7	-	48.2	49.0	50.7	-	45.5	46.3	47.9	-	
		S/T	0.61	0.54	0.42	-	0.62	0.55	0.42	-	0.64	0.57	0.45	-	1.00	0.59	0.47	-	1.00	0.61	0.49	-	1.00	0.66	0.53	-	
	2000	ΔT	22	20	16	-	22	19	16	-	22	20	16	-	22	19	16	-	21	19	15	-	23	21	17	-	
		kW	3.69	3.68	3.68	-	4.14	4.14	4.13	-	4.65	4.64	4.64	-	5.20	5.19	5.18	-	5.81	5.80	5.80	-	6.53	6.52	6.52	-	
	2250	Amps	13.9	13.9	13.8	-	16.0	15.9	15.9	-	18.3	18.3	18.2	-	20.8	20.8	20.7	-	23.6	23.6	23.5	-	26.9	26.9	26.8	-	
		Hi PR	281	282	284	-	325	326	328	-	371	372	374	-	421	422	424	-	474	475	477	-	531	532	534	-	
	75	2000	Lo PR	127	129	132	-	135	137	140	-	142	143	147	-	147	149	152	-	153	155	158	-	160	161	165	-
			MBh	57.8	58.6	60.2	-	57.3	58.1	59.8	-	55.9	56.7	58.3	-	53.4	54.2	55.9	-	50.4	51.2	52.8	-	47.7	48.4	50.1	-
	75	2000	S/T	0.66	0.59	0.46	-	0.66	0.59	0.47	-	1.00	0.61	0.49	-	1.00	0.63	0.51	-	1.00	0.65	0.53	-	1.00	1.00	0.57	-
			ΔT	19	17	13	-	19	17	13	-	20	18	14	-	19	17	13	-	19	17	13	-	20	18	14	-
75	2250	kW	3.75	3.74	3.74	-	4.18	4.18	4.17	-	4.69	4.68	4.68	-	5.24	5.23	5.23	-	5.85	5.85	5.84	-	6.57	6.56	6.56	-	
		Amps	14.2	14.1	14.1	-	16.1	16.1	16.1	-	18.5	18.4	18.4	-	21.0	21.0	20.9	-	23.8	23.8	23.7	-	27.1	27.0	27.0	-	
75	2250	Hi PR	290	291	293	-	333	335	337	-	380	381	383	-	429	430	432	-	483	484	486	-	540	541	543	-	
		Lo PR	136	138	141	-	144	145	148	-	150	152	155	-	156	158	161	-	162	163	166	-	168	170	173	-	

IDB	AIRFLOW	OUTDOOR AMBIENT TEMPERATURE																									
		65				75				85				95				105				115					
		59	63	67	71	59	63	67	71	59	63	67	71	59	63	67	71	59	63	67	71	59	63	67	71		
75	1565	MBh	55.7	56.5	58.1	60.6	55.2	56.0	57.6	60.1	53.8	54.5	56.2	58.7	51.3	52.1	53.7	56.2	48.3	49.1	50.7	53.2	45.5	46.3	47.9	50.5	
		S/T	0.73	0.66	0.54	0.4	1.00	0.67	0.54	0.4	1.00	0.69	0.57	0.4	1.00	0.71	0.58	0.5	1.00	0.73	0.60	0.5	1.00	1.00	0.65	0.5	
	2000	ΔT	26	24	20	16	26	24	20	16	27	24	21	16	26	24	20	16	26	24	20	16	27	25	21	17	
		kW	3.68	3.68	3.67	3.7	4.14	4.13	4.13	4.2	4.64	4.64	4.63	4.7	5.19	5.18	5.18	5.2	5.81	5.80	5.79	5.8	6.52	6.52	6.51	6.5	
	2250	Amps	13.9	13.8	13.8	14.0	15.9	15.9	15.9	16.0	18.3	18.2	18.2	18.4	20.8	20.8	20.7	20.9	23.6	23.6	23.5	23.7	26.9	26.8	26.8	27.0	
		Hi PR	281	282	284	289.3	325	326	328	333.3	371	372	374	379.3	421	422	424	428.9	474	476	478	482.4	531	533	535	539.5	
	75	2000	Lo PR	127	129	132	137.6	135	137	140	145.2	142	143	147	151.9	147	149	152	157.6	153	155	158	163.1	160	162	165	170.1
			MBh	57.9	58.6	60.3	62.8	57.4	58.1	59.8	62.3	55.9	56.7	58.4	60.9	53.5	54.2	55.9	58.4	50.4	51.2	52.9	55.4	47.7	48.5	50.1	52.6
	75	2000	S/T	0.77	0.70	0.58	0.4	1.00	0.71	0.58	0.5	1.00	0.73	0.61	0.5	1.00	0.75	0.63	0.5	1.00	1.00	0.65	0.5	1.00	1.00	0.69	0.6
			ΔT	24	22	18	14	24	22	18	14	24	22	18	14	24	22	18	14	24	22	18	14	25	23	19	15
75	2250	kW	3.72	3.72	3.71	3.75	4.18	4.18	4.17	4.20	4.69	4.68	4.67	4.71	5.23	5.23	5.22	5.26	5.85	5.84	5.83	5.87	6.56	6.56	6.55	6.59	
		Amps	14.1	14.0	14.0	14.2	16.1	16.1	16.1	16.2	18.4	18.4	18.4	18.6	21.0	20.9	20.9	21.1	23.8	23.7	23.7	23.9	27.0	27.0	27.0	27.2	
75	2250	Hi PR	286	288	290	294.5	330	332	334	338.4	376	378	380	384.5	426	427	429	434.1	480	481	483	487.6	537	538	540	544.7	
		Lo PR	132	134	137	142.5	140	142	145	150.2	147	148	151	156.8	152	154	157	162.5	158	160	163	168.1	165	166	170	175.0	
75	2250	MBh	59.5	60.3	62.0	64.5	59.1	59.8	61.5	64.0	57.6	58.4	60.0	62.5	55.2	55.9	57.6	60.1	52.1	52.9	54.6	57.1	49.4	50.2	51.8	54.3	
		S/T	1.00	0.68	0.56	0.4	1.00	0.69	0.56	0.4	1.00	0.71	0.59	0.5	1.00	1.00	0.61	0.5	1.00	1.00	0.63	0.5	1.00	1.00	0.67	0.5	
75	2250	ΔT	23	21	17	13	23	21	17	13	23	21	17	13	23	21	17	13	23	21	17	12	24	22	18	14	
		kW	3.75	3.74	3.73	3.8	4.20	4.20	4.19	4.2	4.71	4.70	4.69	4.7	5.25	5.25	5.24	5.3	5.87	5.86	5.85	5.9	6.58	6.58	6.57	6.6	
75	2250	Amps	14.1	14.1	14.1	14.3	16.2	16.2	16.2	16.3	18.5	18.5	18.5	18.6	21.0	21.0	21.0	21.2	23.9	23.8	23.8	24.0	27.1	27.1	27.1	27.2	
		Hi PR	290	291	293	297.8	334	335	337	341.8	380	381	383	387.8	429	431	433	437.4	483	484	486	490.9	540	541	543	548.0	
75	2250	Lo PR	136	138	141	146.1	144	145	148	153.8	150	152	155	160.5	156	158	161	166.1	162	163	166	171.7	169	170	173	178.6	

IDB: Entering Indoor Dry Bulb Temperature
 High and low pressures are measured at the liquid and suction service valves.
 Shaded area is ACCA (TVA) conditions.
 KW= total system power
 Amps = outdoor unit amps (comp.+fan)

IDB	AIRFLOW	OUTDOOR AMBIENT TEMPERATURE																								
		65				75				85				95				105				115				
		59	63	67	71	59	63	67	71	59	63	67	71	59	63	67	71	59	63	67	71	59	63	67	71	
80	1565	MBh	56.0	56.8	58.4	60.9	55.5	56.3	57.9	60.4	54.1	54.8	56.5	59.0	51.6	52.4	54.0	56.5	48.6	49.3	51.0	53.5	45.8	46.6	48.2	50.7
		S/T	1.00	0.78	0.65	0.5	1.00	0.78	0.66	0.5	1.00	0.81	0.68	0.6	1.00	1.00	0.70	0.6	1.00	1.00	0.72	0.6	1.00	1.00	0.77	0.6
	ΔT	31	29	25	21	31	29	25	21	31	29	25	21	31	29	25	21	31	29	25	20	32	30	26	22	
	kW	3.69	3.68	3.68	3.7	4.14	4.14	4.13	4.2	4.65	4.64	4.64	4.7	5.20	5.19	5.18	5.2	5.81	5.80	5.80	5.8	6.53	6.52	6.51	6.5	
	Amps	13.9	13.9	13.8	14.0	16.0	15.9	15.9	16.1	18.3	18.3	18.2	18.4	20.8	20.8	20.7	20.9	23.6	23.6	23.5	23.7	26.9	26.9	26.8	27.0	
	Hi PR	282	283	285	289.8	326	327	329	333.8	372	373	375	379.8	421	423	425	429.4	475	476	478	482.9	532	533	535	540.0	
	Lo PR	128	130	133	138.1	136	137	140	145.8	142	144	147	152.5	148	150	153	158.1	154	155	158	163.7	161	162	165	170.6	
	2000	MBh	58.1	58.9	60.6	63.1	57.7	58.4	60.1	62.6	56.2	57.0	58.6	61.1	53.7	54.5	56.2	58.7	50.7	51.5	53.2	55.7	48.0	48.8	50.4	52.9
		S/T	1.00	0.82	0.69	0.6	1.00	0.83	0.70	0.6	1.00	1.00	0.72	0.6	1.00	1.00	0.74	0.6	1.00	1.00	0.76	0.6	1.00	1.00	1.00	0.7
	ΔT	27	27	23	19	29	27	23	19	29	27	23	19	29	27	23	19	28	26	22	18	30	28	24	20	
kW	3.73	3.72	3.72	3.75	4.18	4.18	4.17	4.20	4.69	4.68	4.68	4.71	5.24	5.23	5.22	5.26	5.85	5.84	5.84	5.87	6.57	6.56	6.56	6.59		
Amps	14.1	14.0	14.0	14.2	16.1	16.1	16.1	16.2	18.5	18.4	18.4	18.6	21.0	21.0	20.9	21.1	23.8	23.8	23.7	23.9	27.1	27.0	27.0	27.2		
Hi PR	287	288	290	295.0	331	332	334	339.0	377	378	380	385.0	427	428	430	434.6	480	481	483	488.1	537	538	540	545.2		
Lo PR	133	135	138	143.1	141	142	145	150.7	147	149	152	157.4	153	155	158	163.1	159	160	163	168.6	165	167	170	175.6		
2250	MBh	59.8	60.6	62.3	64.8	59.3	60.1	61.8	64.3	57.9	58.7	60.3	62.8	55.4	56.2	57.9	60.4	52.4	53.2	54.8	57.3	49.7	50.4	52.1	54.6	
	S/T	1.00	0.80	0.67	0.5	1.00	1.00	0.68	0.5	1.00	1.00	0.70	0.6	1.00	1.00	0.72	0.6	1.00	1.00	0.74	0.6	1.00	1.00	1.00	0.7	
ΔT	28	26	22	17	28	26	22	17	28	26	22	18	28	25	22	17	27	25	21	17	29	27	23	18		
kW	3.75	3.74	3.74	3.8	4.20	4.20	4.19	4.2	4.71	4.70	4.70	4.7	5.26	5.25	5.24	5.3	5.87	5.87	5.86	5.9	6.59	6.58	6.58	6.6		
Amps	14.2	14.1	14.1	14.3	16.2	16.2	16.2	16.3	18.6	18.5	18.5	18.7	21.1	21.0	21.0	21.2	23.9	23.8	23.8	24.0	27.2	27.1	27.1	27.3		
Hi PR	290	291	293	298.3	334	335	337	342.3	380	382	383	388.3	430	431	433	437.9	483	485	487	491.4	540	542	544	548.5		
Lo PR	137	138	141	146.7	144	146	149	154.3	151	152	156	161.0	157	158	161	166.7	162	164	167	172.2	169	171	174	179.2		

IDB	AIRFLOW	OUTDOOR AMBIENT TEMPERATURE																								
		65				75				85				95				105				115				
		59	63	67	71	59	63	67	71	59	63	67	71	59	63	67	71	59	63	67	71	59	63	67	71	
85	1565	MBh	56.9	57.7	59.3	61.8	56.4	57.2	58.8	61.3	55.0	55.8	57.4	59.9	52.5	53.3	54.9	57.4	49.5	50.3	51.9	54.4	46.7	47.5	49.2	51.7
		S/T	1.00	0.87	0.75	0.6	1.00	1.00	0.75	0.6	1.00	1.00	0.78	0.6	1.00	1.00	0.79	0.7	1.00	1.00	1.00	0.7	1.00	1.00	1.00	0.7
	ΔT	35	33	29	25	35	33	29	25	35	33	29	25	35	33	29	25	35	33	29	25	36	34	30	26	
	kW	3.70	3.69	3.68	3.7	4.15	4.15	4.14	4.2	4.66	4.65	4.64	4.7	5.20	5.20	5.19	5.2	5.82	5.81	5.81	5.8	6.54	6.53	6.52	6.6	
	Amps	13.9	13.9	13.9	14.0	16.0	16.0	15.9	16.1	18.3	18.3	18.3	18.4	20.8	20.8	20.8	20.9	23.6	23.6	23.6	23.7	26.9	26.9	26.9	27.0	
	Hi PR	283	284	286	291.1	327	328	330	335.1	373	374	376	381.1	423	424	426	430.7	476	477	479	484.2	533	534	536	541.3	
	Lo PR	130	131	135	140.0	138	139	142	147.6	144	146	149	154.3	150	151	155	160.0	155	157	160	165.6	162	164	167	172.5	
	2000	MBh	59.1	59.8	61.5	64.0	58.6	59.4	61.0	63.5	57.1	57.9	59.6	62.1	54.7	55.5	57.1	59.6	51.7	52.4	54.1	56.6	48.9	49.7	51.3	53.8
		S/T	1.00	1.00	0.79	0.7	1.00	1.00	0.79	0.7	1.00	1.00	0.82	0.7	1.00	1.00	1.00	0.7	1.00	1.00	1.00	0.7	1.00	1.00	1.00	0.8
	ΔT	33	31	27	23	33	31	27	23	33	31	27	23	33	31	27	23	33	30	27	22	34	32	28	24	
kW	3.74	3.73	3.72	3.76	4.19	4.19	4.18	4.21	4.70	4.69	4.69	4.72	5.24	5.24	5.23	5.27	5.86	5.85	5.85	5.88	6.58	6.57	6.56	6.60		
Amps	14.1	14.1	14.1	14.2	16.2	16.2	16.1	16.3	18.5	18.5	18.4	18.6	21.0	21.0	21.0	21.1	23.8	23.8	23.8	23.9	27.1	27.1	27.0	27.2		
Hi PR	288	289	291	296.3	332	333	335	340.3	378	380	381	386.3	428	429	431	435.9	481	483	485	489.4	538	540	542	546.5		
Lo PR	135	136	140	144.9	142	144	147	152.6	149	151	154	159.3	155	156	160	164.9	160	162	165	170.5	167	169	172	177.4		
2250	MBh	60.8	61.5	63.2	65.7	60.3	61.0	62.7	65.2	58.8	59.6	61.3	63.8	56.4	57.1	58.8	61.3	53.3	54.1	55.8	58.3	50.6	51.4	53.0	55.5	
	S/T	1.00	1.00	0.77	0.6	1.00	1.00	0.77	0.6	1.00	1.00	0.80	0.7	1.00	1.00	1.00	0.7	1.00	1.00	1.00	0.7	1.00	1.00	1.00	1.0	
ΔT	32	30	26	22	32	30	26	22	32	30	26	22	32	30	26	22	31	29	25	21	33	31	27	23		
kW	3.76	3.75	3.74	3.8	4.21	4.21	4.20	4.2	4.72	4.71	4.71	4.7	5.26	5.26	5.25	5.3	5.88	5.87	5.87	5.9	6.60	6.59	6.58	6.6		
Amps	14.2	14.2	14.1	14.3	16.3	16.3	16.2	16.4	18.6	18.6	18.5	18.7	21.1	21.1	21.0	21.2	23.9	23.9	23.9	24.0	27.2	27.2	27.1	27.3		
Hi PR	292	293	295	299.6	336	337	339	343.6	382	383	385	389.6	431	432	434	439.2	485	486	488	492.7	542	543	545	549.8		
Lo PR	138	140	143	148.6	146	148	151	156.2	153	154	158	162.9	158	160	163	168.6	164	166	169	174.1	171	173	176	181.1		

IDB: Entering Indoor Dry Bulb Temperature
 High and low pressures are measured at the liquid and suction service valves.
 Shaded area is AHRI conditions.
 Amps = outdoor unit amps (comp.+fan)
 KW= total system power

IDB		OUTDOOR AMBIENT TEMPERATURE																							
		65				75				85				95				105				115			
		59	63	67	71	59	63	67	71	59	63	67	71	59	63	67	71	59	63	67	71	59	63	67	71
AIRFLOW		55.7	56.4	58.1	-	55.2	55.9	57.6	-	53.7	54.5	56.2	-	51.3	52.0	53.7	-	48.2	49.0	50.7	-	45.5	46.3	47.9	-
		0.61	0.54	0.42	-	0.62	0.55	0.42	-	0.64	0.57	0.45	-	1.00	0.59	0.47	-	1.00	0.61	0.49	-	1.00	0.66	0.53	-
		22	20	16	-	22	19	16	-	22	20	16	-	22	19	16	-	21	19	15	-	23	21	17	-
1565		3.69	3.68	3.68	-	4.14	4.14	4.13	-	4.65	4.64	4.64	-	5.20	5.19	5.18	-	5.81	5.80	5.80	-	6.53	6.52	6.52	-
		13.9	13.9	13.8	-	16.0	15.9	15.9	-	18.3	18.3	18.2	-	20.8	20.8	20.7	-	23.6	23.6	23.5	-	26.9	26.9	26.8	-
		281	282	284	-	325	326	328	-	371	372	374	-	421	422	424	-	474	475	477	-	531	532	534	-
		127	129	132	-	135	137	140	-	142	143	147	-	147	149	152	-	153	155	158	-	160	161	165	-
70		57.8	58.6	60.2	-	57.3	58.1	59.8	-	55.9	56.7	58.3	-	53.4	54.2	55.9	-	50.4	51.2	52.8	-	47.7	48.4	50.1	-
		0.66	0.59	0.46	-	0.66	0.59	0.47	-	1.00	0.61	0.49	-	1.00	0.63	0.51	-	1.00	0.65	0.53	-	1.00	1.00	0.57	-
		19	17	13	-	19	17	13	-	20	18	14	-	19	17	13	-	19	17	13	-	20	18	14	-
2000		3.73	3.72	3.72	-	4.18	4.18	4.17	-	4.69	4.68	4.68	-	5.24	5.23	5.23	-	5.85	5.85	5.84	-	6.57	6.56	6.56	-
		14.1	14.0	14.0	-	16.1	16.1	16.1	-	18.5	18.4	18.4	-	21.0	21.0	20.9	-	23.8	23.8	23.7	-	27.1	27.0	27.0	-
		286	287	289	-	330	331	333	-	376	377	379	-	426	427	429	-	479	481	482	-	536	538	540	-
		132	134	137	-	140	142	145	-	147	148	151	-	152	154	157	-	158	159	163	-	165	166	170	-
2250		59.5	60.3	61.9	-	59.0	59.8	61.4	-	57.6	58.4	60.0	-	55.1	55.9	57.5	-	52.1	52.9	54.5	-	49.4	50.1	51.8	-
		0.64	0.57	0.44	-	1.00	0.57	0.45	-	1.00	0.59	0.47	-	1.00	0.61	0.49	-	1.00	0.63	0.51	-	1.00	1.00	0.55	-
		18	16	12	-	18	16	12	-	19	16	12	-	18	16	12	-	18	16	12	-	19	17	13	-
Amps		3.75	3.74	3.74	-	4.20	4.20	4.19	-	4.71	4.70	4.70	-	5.26	5.25	5.25	-	5.87	5.87	5.86	-	6.59	6.58	6.58	-
Hi PR		14.2	14.1	14.1	-	16.2	16.2	16.2	-	18.6	18.5	18.5	-	21.1	21.0	21.0	-	23.9	23.8	23.8	-	27.2	27.1	27.1	-
Lo PR		290	291	293	-	333	335	337	-	380	381	383	-	429	430	432	-	483	484	486	-	540	541	543	-
		136	138	141	-	144	145	148	-	150	152	155	-	156	158	161	-	162	163	166	-	168	170	173	-

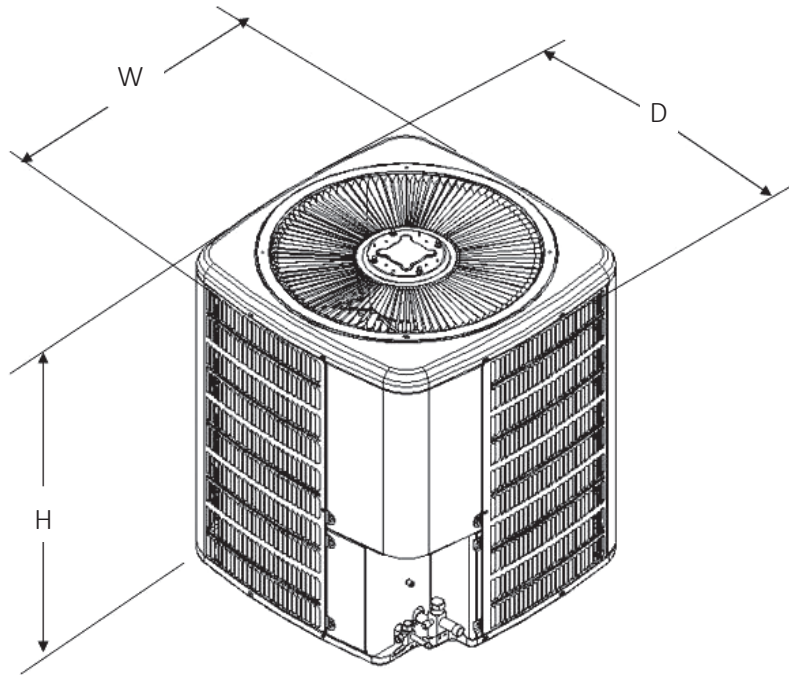
1565		55.7	56.5	58.1	60.6	55.2	56.0	57.6	60.1	53.8	54.5	56.2	58.7	51.3	52.1	53.7	56.2	48.3	49.1	50.7	53.2	45.5	46.3	47.9	50.5
		0.73	0.66	0.54	0.4	1.00	0.67	0.54	0.4	1.00	0.69	0.57	0.4	1.00	0.71	0.58	0.5	1.00	0.73	0.60	0.5	1.00	1.00	0.65	0.5
		26	24	20	16	26	24	20	16	27	24	21	16	26	24	20	16	26	24	20	16	27	25	21	17
		3.68	3.68	3.67	3.7	4.14	4.13	4.13	4.2	4.64	4.64	4.63	4.7	5.19	5.19	5.18	5.2	5.81	5.80	5.79	5.8	6.52	6.52	6.51	6.5
Amps		13.9	13.8	13.8	14.0	15.9	15.9	15.9	16.0	18.3	18.2	18.2	18.4	20.8	20.8	20.7	20.9	23.6	23.6	23.5	23.7	26.9	26.8	26.8	27.0
Hi PR		281	282	284	289.3	325	326	328	333.3	371	372	374	379.3	421	422	424	428.9	474	476	478	482.4	531	533	535	539.5
Lo PR		127	129	132	137.6	135	137	140	145.2	142	143	147	151.9	147	149	152	157.6	153	155	158	163.1	160	162	165	170.1
75		57.9	58.6	60.3	62.8	57.4	58.1	59.8	62.3	55.9	56.7	58.4	60.9	53.5	54.2	55.9	58.4	50.4	51.2	52.9	55.4	47.7	48.5	50.1	52.6
		0.77	0.70	0.58	0.4	1.00	0.71	0.58	0.5	1.00	0.73	0.61	0.5	1.00	0.75	0.63	0.5	1.00	1.00	0.65	0.5	1.00	1.00	0.69	0.6
		24	22	18	14	24	22	18	14	24	22	18	14	24	22	18	14	24	22	18	14	25	23	19	15
		3.72	3.72	3.71	3.75	4.18	4.18	4.17	4.20	4.69	4.68	4.67	4.71	5.23	5.23	5.22	5.26	5.85	5.84	5.83	5.87	6.56	6.56	6.55	6.59
Amps		14.1	14.0	14.0	14.2	16.1	16.1	16.1	16.2	18.4	18.4	18.4	18.6	21.0	20.9	20.9	21.1	23.8	23.7	23.7	23.9	27.0	27.0	27.0	27.2
Hi PR		286	288	290	294.5	330	332	334	338.4	376	378	380	384.5	426	427	429	434.1	480	481	483	487.6	537	538	540	544.7
Lo PR		132	134	137	142.5	140	142	145	150.2	147	148	151	156.8	152	154	157	162.5	158	160	163	168.1	165	166	170	175.0
70		59.5	60.3	62.0	64.5	59.1	59.8	61.5	64.0	57.6	58.4	60.0	62.5	55.2	55.9	57.6	60.1	52.1	52.9	54.6	57.1	49.4	50.2	51.8	54.3
		1.00	0.68	0.56	0.4	1.00	0.69	0.56	0.4	1.00	0.71	0.59	0.5	1.00	1.00	0.61	0.5	1.00	1.00	0.63	0.5	1.00	1.00	0.67	0.5
		23	21	17	13	23	21	17	13	23	21	17	13	23	21	17	13	23	21	17	12	24	22	18	14
		3.75	3.74	3.73	3.8	4.20	4.20	4.19	4.2	4.71	4.70	4.69	4.7	5.25	5.25	5.24	5.3	5.87	5.86	5.85	5.9	6.58	6.58	6.57	6.6
Amps		14.1	14.1	14.1	14.3	16.2	16.2	16.2	16.3	18.5	18.5	18.5	18.6	21.0	21.0	21.0	21.2	23.9	23.8	23.8	24.0	27.1	27.1	27.1	27.2
Hi PR		290	291	293	297.8	334	335	337	341.8	380	381	383	387.8	429	431	433	437.4	483	484	486	490.9	540	541	543	548.0
Lo PR		136	138	141	146.1	144	145	148	153.8	150	152	155	160.5	156	158	161	166.1	162	163	166	171.7	169	170	173	178.6

IDB: Entering Indoor Dry Bulb Temperature
 High and low pressures are measured at the liquid and suction service valves.
 Shaded area is ACCA (TVA) conditions.
 KW= Total system power
 Amps = outdoor unit amps (comp.+fan)

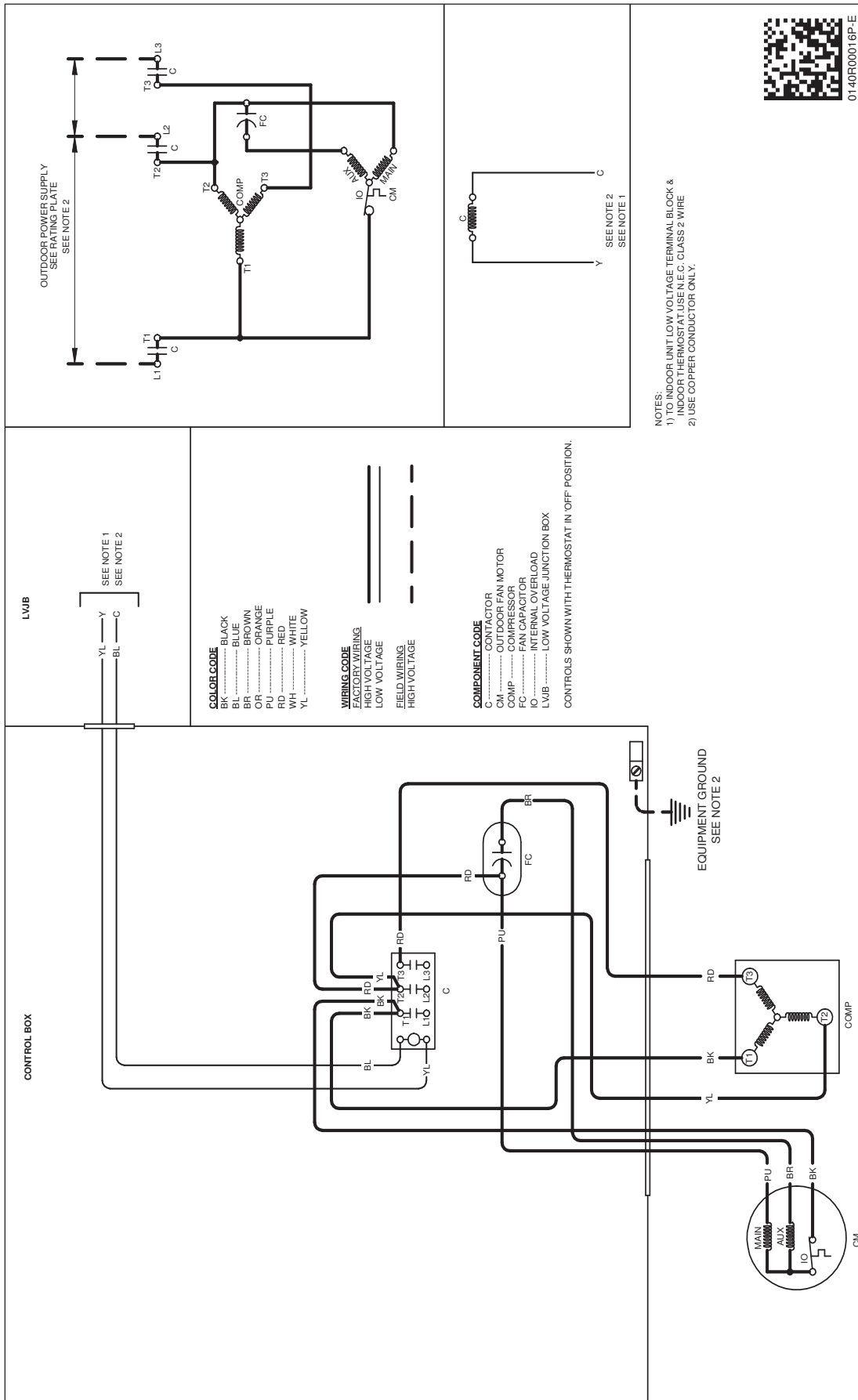
IDB	AIRFLOW	OUTDOOR AMBIENT TEMPERATURE																									
		65				75				85				95				105				115					
		59	63	67	71	59	63	67	71	59	63	67	71	59	63	67	71	59	63	67	71	59	63	67	71		
80	1565	MBh	56.0	56.8	58.4	60.9	55.5	56.3	57.9	60.4	54.1	54.8	56.5	59.0	51.6	52.4	54.0	56.5	48.6	49.3	51.0	53.5	45.8	46.6	48.2	50.7	
		S/T	1.00	0.78	0.65	0.5	1.00	0.78	0.66	0.5	1.00	0.81	0.68	0.6	1.00	1.00	0.70	0.6	1.00	1.00	0.72	0.6	1.00	1.00	0.77	0.6	
	2000	ΔT	31	29	25	21	31	29	25	21	31	29	25	21	31	29	25	21	31	29	25	20	32	30	26	22	
		KW	3.69	3.68	3.68	3.7	4.14	4.14	4.13	4.2	4.65	4.64	4.64	4.7	5.20	5.19	5.18	5.2	5.81	5.80	5.80	5.8	6.53	6.52	6.51	6.5	
	2250	Amps	13.9	13.9	13.8	14.0	16.0	15.9	15.9	16.1	18.3	18.3	18.2	18.4	20.8	20.8	20.7	20.9	23.6	23.6	23.5	23.7	26.9	26.9	26.8	27.0	
		Hi PR	282	283	285	289.8	326	327	329	333.8	372	373	375	379.8	421	423	425	429.4	475	476	478	482.9	532	533	535	540.0	
	85	1565	MBh	58.1	58.9	60.6	63.1	57.7	58.4	60.1	62.6	56.2	57.0	58.6	61.1	53.7	54.5	56.2	58.7	50.7	51.5	53.2	55.7	48.0	48.8	50.4	52.9
			S/T	1.00	0.82	0.69	0.6	1.00	0.83	0.70	0.6	1.00	1.00	0.72	0.6	1.00	1.00	0.74	0.6	1.00	1.00	0.76	0.6	1.00	1.00	1.00	0.7
		2000	ΔT	29	27	23	19	29	27	23	19	29	27	23	19	29	27	23	19	28	26	22	18	30	28	24	20
			KW	3.73	3.72	3.72	3.75	4.18	4.18	4.17	4.20	4.69	4.68	4.68	4.71	5.24	5.23	5.22	5.26	5.85	5.84	5.84	5.87	6.57	6.56	6.56	6.59
2250		Amps	14.1	14.0	14.0	14.2	16.1	16.1	16.1	16.2	18.5	18.4	18.4	18.6	21.0	21.0	20.9	21.1	23.8	23.8	23.7	23.9	27.1	27.0	27.0	27.2	
		Hi PR	287	288	290	295.0	331	332	334	339.0	377	378	380	385.0	427	428	430	434.6	480	481	483	488.1	537	538	540	545.2	
85		1565	MBh	59.8	60.6	62.3	64.8	59.3	60.1	61.8	64.3	57.9	58.7	60.3	62.8	55.4	56.2	57.9	60.4	52.4	53.2	54.8	57.3	49.7	50.4	52.1	54.6
			S/T	1.00	0.80	0.67	0.5	1.00	1.00	0.68	0.5	1.00	1.00	0.70	0.6	1.00	1.00	0.72	0.6	1.00	1.00	0.74	0.6	1.00	1.00	1.00	0.7
		2000	ΔT	28	26	22	17	28	26	22	17	28	26	22	18	28	25	22	17	27	25	21	17	29	27	23	18
			KW	3.75	3.74	3.74	3.8	4.20	4.20	4.19	4.2	4.71	4.70	4.70	4.7	5.26	5.25	5.24	5.3	5.87	5.87	5.86	5.9	6.59	6.58	6.58	6.6
	2250	Amps	14.2	14.1	14.1	14.3	16.2	16.2	16.2	16.3	18.6	18.5	18.5	18.7	21.1	21.0	21.0	21.2	23.9	23.8	23.8	24.0	27.2	27.1	27.1	27.3	
		Hi PR	290	291	293	298.3	334	335	337	342.3	380	382	383	388.3	430	431	433	437.9	483	485	487	491.4	540	542	544	548.5	
	85	1565	MBh	56.9	57.7	59.3	61.8	56.4	57.2	58.8	61.3	55.0	55.8	57.4	59.9	52.5	53.3	54.9	57.4	49.5	50.3	51.9	54.4	46.7	47.5	49.2	51.7
			S/T	1.00	0.87	0.75	0.6	1.00	1.00	0.75	0.6	1.00	1.00	0.78	0.6	1.00	1.00	0.79	0.7	1.00	1.00	0.80	0.7	1.00	1.00	1.00	0.7
		2000	ΔT	35	33	29	25	35	33	29	25	35	33	29	25	35	33	29	25	35	33	29	25	36	34	30	26
			KW	3.70	3.69	3.68	3.7	4.15	4.15	4.14	4.2	4.66	4.65	4.64	4.7	5.20	5.20	5.19	5.2	5.82	5.81	5.81	5.8	6.54	6.53	6.52	6.6
2250		Amps	13.9	13.9	13.9	14.0	16.0	16.0	15.9	16.1	18.3	18.3	18.3	18.4	20.8	20.8	20.8	20.9	23.6	23.6	23.6	23.7	26.9	26.9	26.9	27.0	
		Hi PR	283	284	286	291.1	327	328	330	335.1	373	374	376	381.1	423	424	426	430.7	476	477	479	484.2	533	534	536	541.3	
85		1565	MBh	59.1	59.8	61.5	64.0	58.6	59.4	61.0	63.5	57.1	57.9	59.6	62.1	54.7	55.5	57.1	59.6	51.7	52.4	54.1	56.6	48.9	49.7	51.3	53.8
			S/T	1.00	1.00	0.79	0.7	1.00	1.00	0.79	0.7	1.00	1.00	0.82	0.7	1.00	1.00	1.00	0.7	1.00	1.00	1.00	0.7	1.00	1.00	1.00	0.8
		2000	ΔT	33	31	27	23	33	31	27	23	33	31	27	23	33	31	27	23	33	30	27	22	34	32	28	24
			KW	3.74	3.73	3.72	3.76	4.19	4.19	4.18	4.21	4.70	4.69	4.69	4.72	5.24	5.24	5.23	5.27	5.86	5.85	5.85	5.88	6.58	6.57	6.56	6.60
	2250	Amps	14.1	14.1	14.1	14.2	16.2	16.2	16.1	16.3	18.5	18.5	18.4	18.6	21.0	21.0	21.0	21.1	23.8	23.8	23.8	23.9	27.1	27.1	27.0	27.2	
		Hi PR	288	289	291	296.3	332	333	335	340.3	378	380	381	386.3	428	429	431	435.9	481	483	485	489.4	538	540	542	546.5	
	85	1565	MBh	60.8	61.5	63.2	65.7	60.3	61.0	62.7	65.2	58.8	59.6	61.3	63.8	56.4	57.1	58.8	61.3	53.3	54.1	55.8	58.3	50.6	51.4	53.0	55.5
			S/T	1.00	1.00	0.77	0.6	1.00	1.00	0.77	0.6	1.00	1.00	0.80	0.7	1.00	1.00	1.00	0.7	1.00	1.00	1.00	0.7	1.00	1.00	1.00	1.0
		2000	ΔT	32	30	26	22	32	30	26	22	32	30	26	22	32	30	26	22	31	29	25	21	33	31	27	23
			KW	3.76	3.75	3.74	3.8	4.21	4.21	4.20	4.2	4.72	4.71	4.71	4.7	5.26	5.26	5.25	5.3	5.88	5.87	5.87	5.9	6.60	6.59	6.58	6.6
2250		Amps	14.2	14.2	14.1	14.3	16.3	16.3	16.2	16.4	18.6	18.6	18.5	18.7	21.1	21.1	21.0	21.2	23.9	23.9	23.9	24.0	27.2	27.2	27.1	27.3	
		Hi PR	292	293	295	299.6	336	337	339	343.6	382	383	385	389.6	431	432	434	439.2	485	486	488	492.7	542	543	545	549.8	
85		1565	MBh	138	140	143	148.6	146	148	151	156.2	153	154	158	162.9	158	160	163	168.6	164	166	169	174.1	171	173	176	181.1
			S/T	1.00	1.00	1.00	1.00	1.00	1.00	1.00	1.00	1.00	1.00	1.00	1.00	1.00	1.00	1.00	1.00	1.00	1.00	1.00	1.00	1.00	1.00	1.00	1.00
		2000	ΔT	138	140	143	148.6	146	148	151	156.2	153	154	158	162.9	158	160	163	168.6	164	166	169	174.1	171	173	176	181.1
			KW	138	140	143	148.6	146	148	151	156.2	153	154	158	162.9	158	160	163	168.6	164	166	169	174.1	171	173	176	181.1
	2250	Amps	138	140	143	148.6	146	148	151	156.2	153	154	158	162.9	158	160	163	168.6	164	166	169	174.1	171	173	176	181.1	
		Hi PR	138	140	143	148.6	146	148	151	156.2	153	154	158	162.9	158	160	163	168.6	164	166	169	174.1	171	173	176	181.1	

IDB: Entering Indoor Dry Bulb Temperature
 High and low pressures are measured at the liquid and suction service valves.
 Shaded area is AHRI conditions.
 KW=Total system power
 Amps = outdoor unit amps (comp.+fan)

***ALL AHRI SYSTEM RATINGS ARE ACCESSIBLE IN THE UNITARY MATCHUP TOOL VIA
DAIKIN CITY OR IN THE DAIKIN SYSTEM CONFIGURATOR TOOL VIA PARTNERLINK.***



MODEL	DIMENSIONS		
	W	D	H
DX3SEA3630	29"	29"	32½"
DX3SEA3640	29"	29"	32½"
DX3SEA4830	35½"	35½"	35¾"
DX3SEA4840	35½"	35½"	35¾"
DX3SEA6030	35½"	35½"	39½"
DX3SEA6040	35½"	35½"	39½"



Wiring is subject to change. Always refer to the wiring diagram or the unit for the most up-to-date wiring.



WARNING

High Voltage: Disconnect all power before servicing or installing this unit. Multiple power sources may be present. Failure to do so may cause property damage, personal injury, or death.



MODEL	DESCRIPTION	DX3SEA 3630	DX3SEA 3640	DX3SEA4 830	DX3SEA 4840	DX3SEA 6030	DX3SEA 6040
ABK-20 [^]	Anchor Bracket Kit	X	X	X	X	X	X
ASC-01	Anti-Short Cycle Kit	X	X	X	X	X	X
FSK01A ¹	Freeze Protection Kit	X	X	X	X	X	X
LSK02A	Liquid Line Solenoid Kit	X	X	X	X	X	X
LAKT01 ¹	Low Ambient Kit	X	X	X	X	X	X
0130R00000S	Low Pressure Switch Kit	X	X	X	X	X	X
TXV-FX-KX-3T ²	TXV Kit	X	X				
TXV-FX-KX-5T ²	TXV Kit			X	X	X	X
TX5N4 ²	TXV Kit			X	X	X	X

[^] Contains 20 brackets; four brackets needed to anchor unit to pad

¹ Installed on indoor coil

² Field-installed, non-bleed, expansion valve kit — Condensing units and heat pumps with reciprocating compressors require the use of start-assist components when used in conjunction with an indoor coil using a non-bleed thermal expansion valve refrigerant metering device or liquid line solenoid kit. The TXV should always be sized based on the tonnage of the outdoor unit.

